

TECHNICAL CHARACTERISTICS

MATERIAL
 INSULATOR: LCP
 FLAMABILITY RATING: UL94-V0
 COLOR: WHITE
 CONTACT MATERIAL: COPPER ALLOY
 CONTACT TYPE: STAMPED
 CONTACT PLATING: SELECTIVE GOLD
 SHIELDING: COPPER ALLOY

QUALITY CLASS: 10000 MATING CYCLES

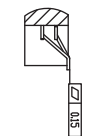
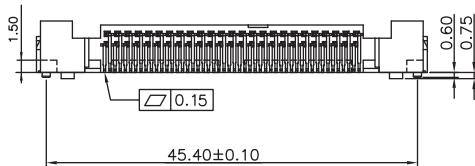
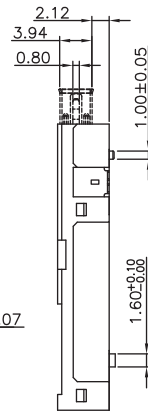
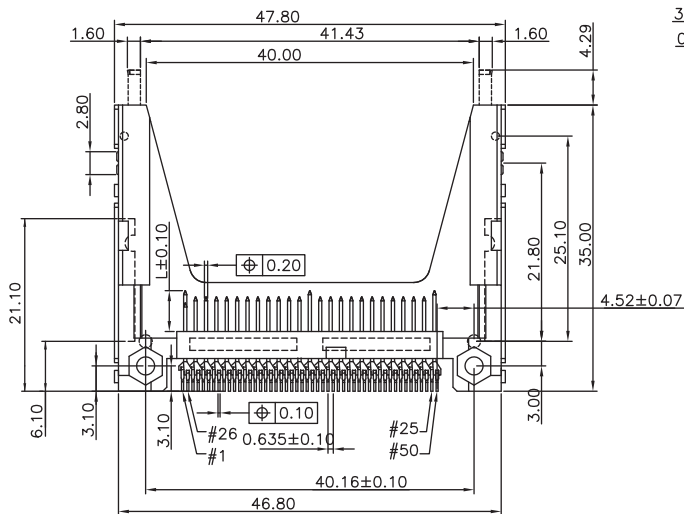
ENVIRONMENTAL
 OPERATING TEMPERATURE: -25 UP TO 85°C
 COMPLIANCE: LEAD FREE AND ROHS

ELECTRICAL
 CURRENT RATING: 0.5 A
 WORKING VOLTAGE: 100 VAC
 INSULATOR RESISTANCE: >1000 MΩ
 WITHSTANDING VOLTAGE: 500 VAC/MIN
 CONTACT RESISTANCE: 40 mΩ MAX

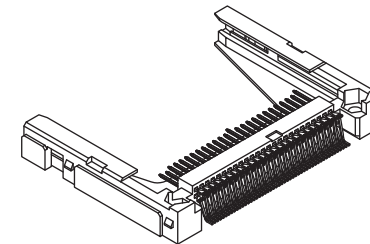
SOLDERING
 JEDEC LEAD FREE REFLOW SOLDERING PROCESS

PACKAGING
 TAPE & REEL

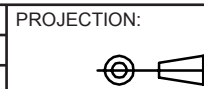
Pin type	Interface Dim. L	Pin No.
POWER	5.00mm	1,13,38,50
GENERAL	4.25mm	all other pins
DETECT	3.50mm	25,26



SOLDER POSITION



RoHS Compliant			
B	12-FEB-17	TKP	GG
A	11-AUG-31	PDF	GG
REV	DATE	FILE	BY



GENERAL TOLERANCE
 .X = +/- 0.2
 .XX = +/- 0.15



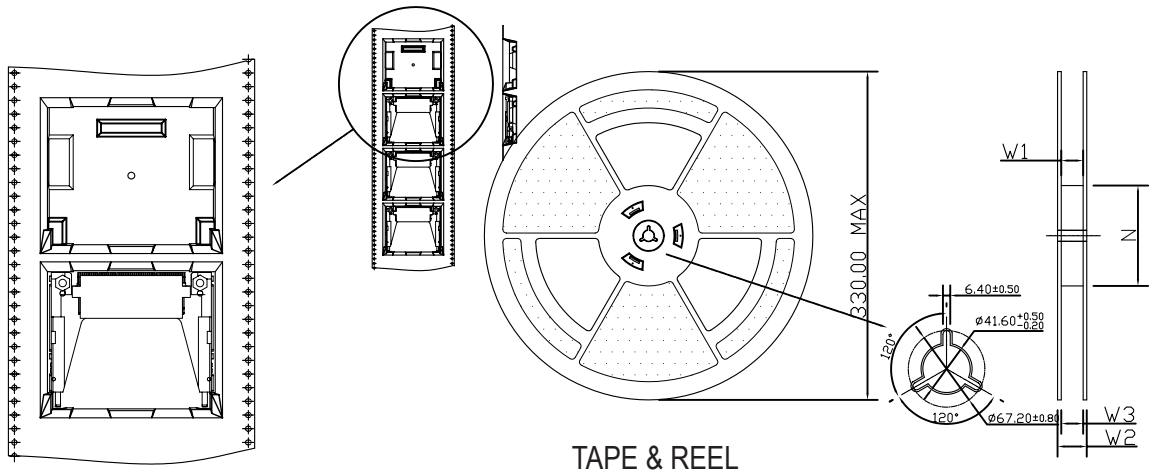
APPROVAL: RJ

UNIT: MM
 SCALE:
 SHEET: 1/2
 DRAW:

DESCRIPTION: Compact Flash Card Connector - Header - Reverse type
 50 pins

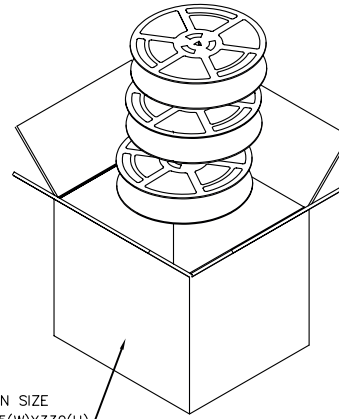
WERI PART NO: 693 120 025 011

SIZE
A4



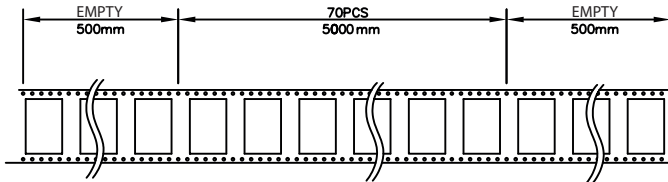
TAPE & REEL

Tape Size	N (Min)	W1 ±2.00 -6	W2(Max)	W3(Max)
72	100	72.4	76.4	75.4



70 Pcs/Reel
3 Reels/Carton
210 Pcs/Carton

CARTON SIZE
355(L)X355(W)X330(H)



RoHS Compliant			
REV	DATE	FILE	BY

PROJECTION:

GENERAL TOLERANCE
.X = ± 0.2
.XX = ± 0.15

WE
WÜRTH ELEKTRONIK

APPROVAL: RJ

UNIT: MM
SCALE:
SHEET: 2/2
DRAW:

DESCRIPTION: Compact Flash Card Connector - Header - Reverse type
50 pins
WERI PART NO: 693 120 025 011

SIZE
A4