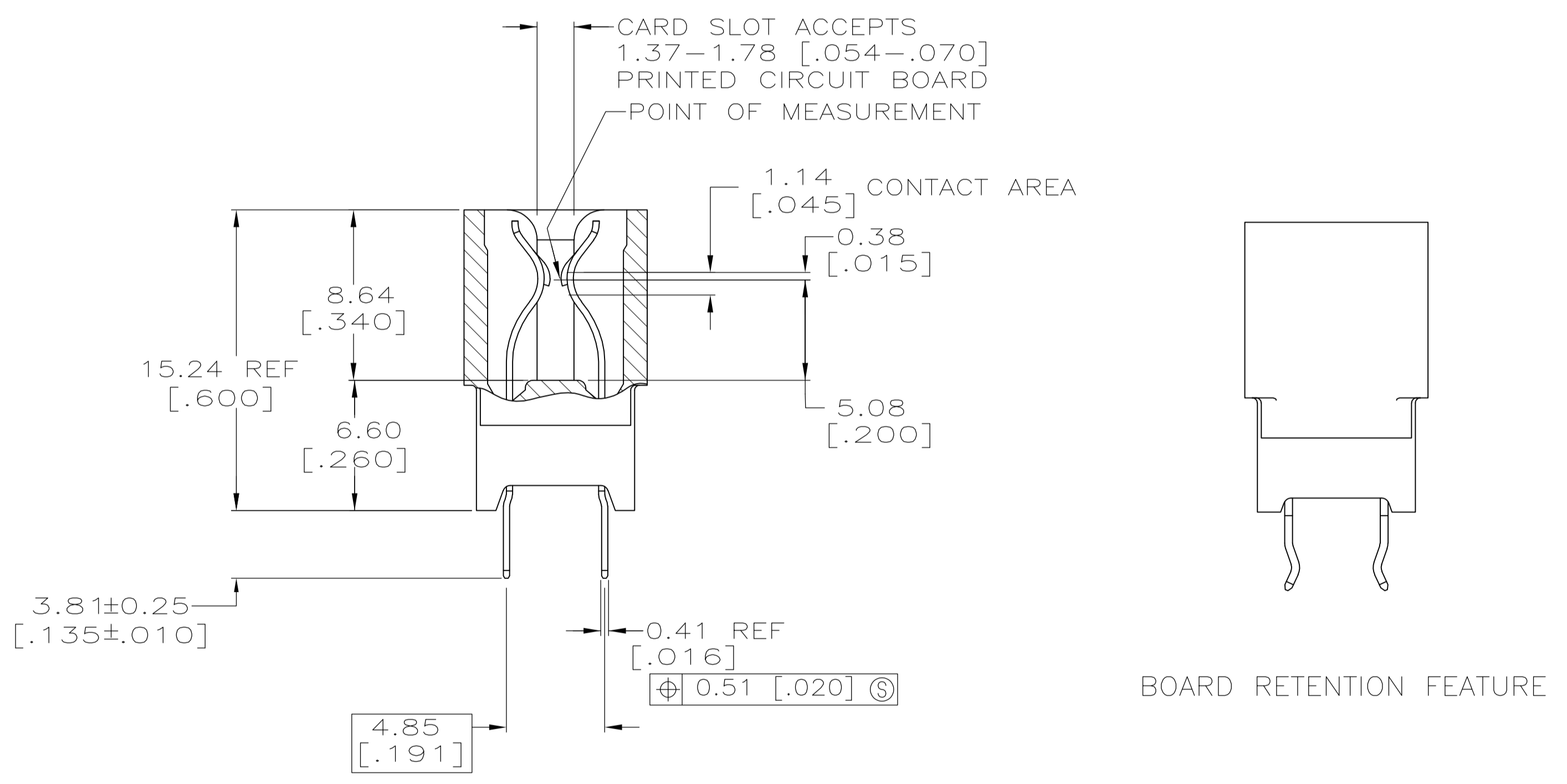
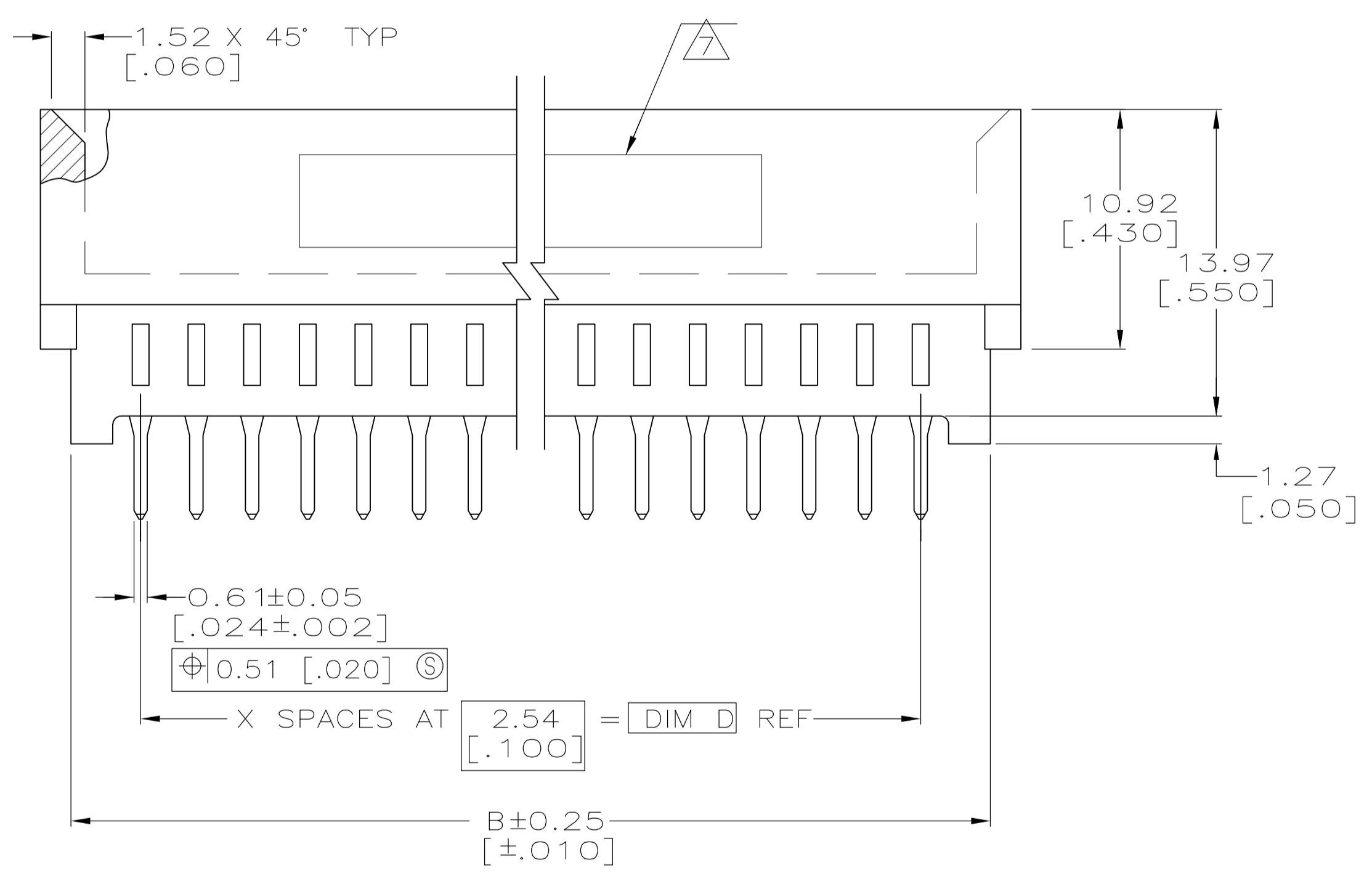
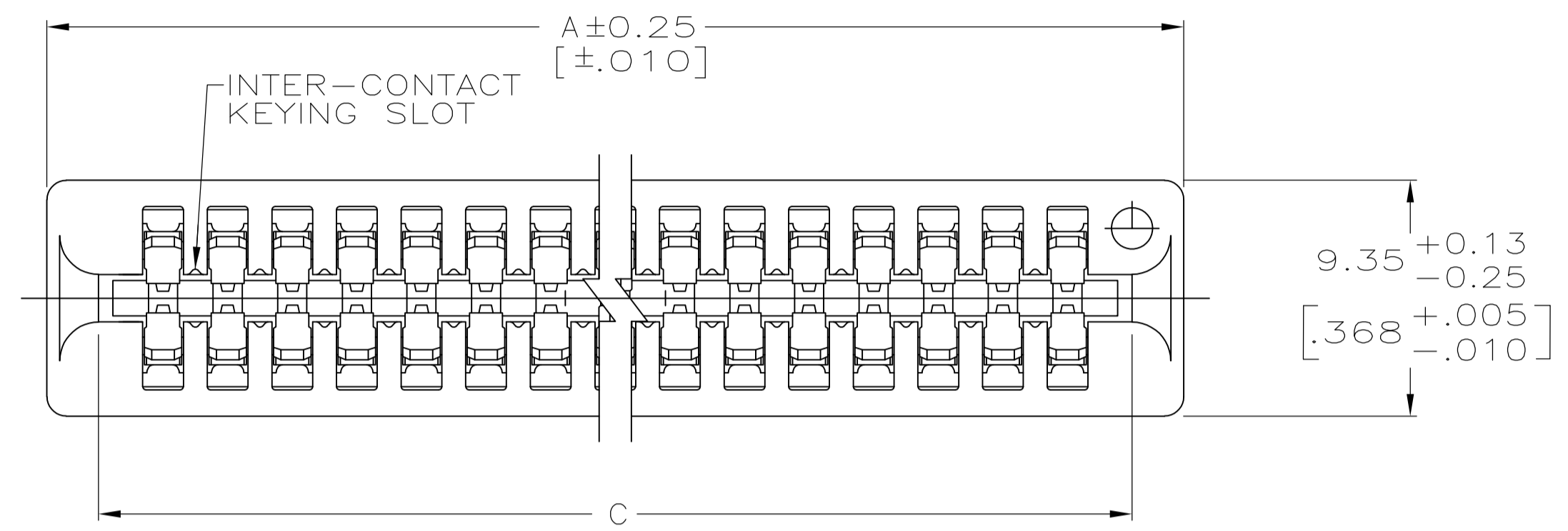


- ① HOUSING: GLASS FILLED POLYESTER; COLOR: BLACK.
- ② CONTACT: PHOSPHOR BRONZE.
- ③ NICKEL UNDERPLATE: 0.00127 [.000050] MIN - ALL OVER.
- ④ TIN-LEAD PLATE: 0.00254 [.000100] MIN - SOLDER POSTS.
- ⑤ GOLD PLATE: 0.00076 [.000030] MIN - CONTACT AREA.
- ⑥ NICKEL PLATE PER MIL-G-45204. GOLD PLATE PER QQ-N-290.
- △ TE PART NUMBER, DATE CODE AND CSA LOGO ARE MARKED IN APPROXIMATE AREA SHOWN, EITHER SIDE.
- 8. RECOMMENDED PCB FINISHED HOLE DIA: 1.02±0.08 [.040±.003].
- ⑨ THE RETENTION FEATURE OF THIS CONNECTOR IS DESIGNED FOR FULL SEATING IN A .062±.008 THICK CIRCUIT BOARD, #119231-1 H.



3,4,23,24	30.48 [1.200]	35.56 [1.400]	36.83 [1.450]	39.62 [1.560]	12	13	145274-1
RETENTION FEATURE LOCATION	D	C	B	A	X	NO OF POSN	PART NUMBER

THIS DRAWING IS A CONTROLLED DOCUMENT.

DIMENSIONS: mm	TOLERANCES UNLESS OTHERWISE SPECIFIED:	DIN R BROWN 1/9/97	APVD S. FLICKINGER 09JUN2008	NAME M. PAVLOVICH	TYCO ELECTRONICS CORPORATION
0. PLC ± -	1. PLC ± -	2. PLC ± 0.13 [.005]	3. PLC ± -	4. PLC ± -	ANGLES ± °
MATERIAL	FINISH	SIZE	CAGE CODE	DRAWING NO	RESTRICTED TO
		A1	00779	145274	
CUSTOMER DRAWING		SCALE	SHEET	OF	REV
		4:1	1	1	H