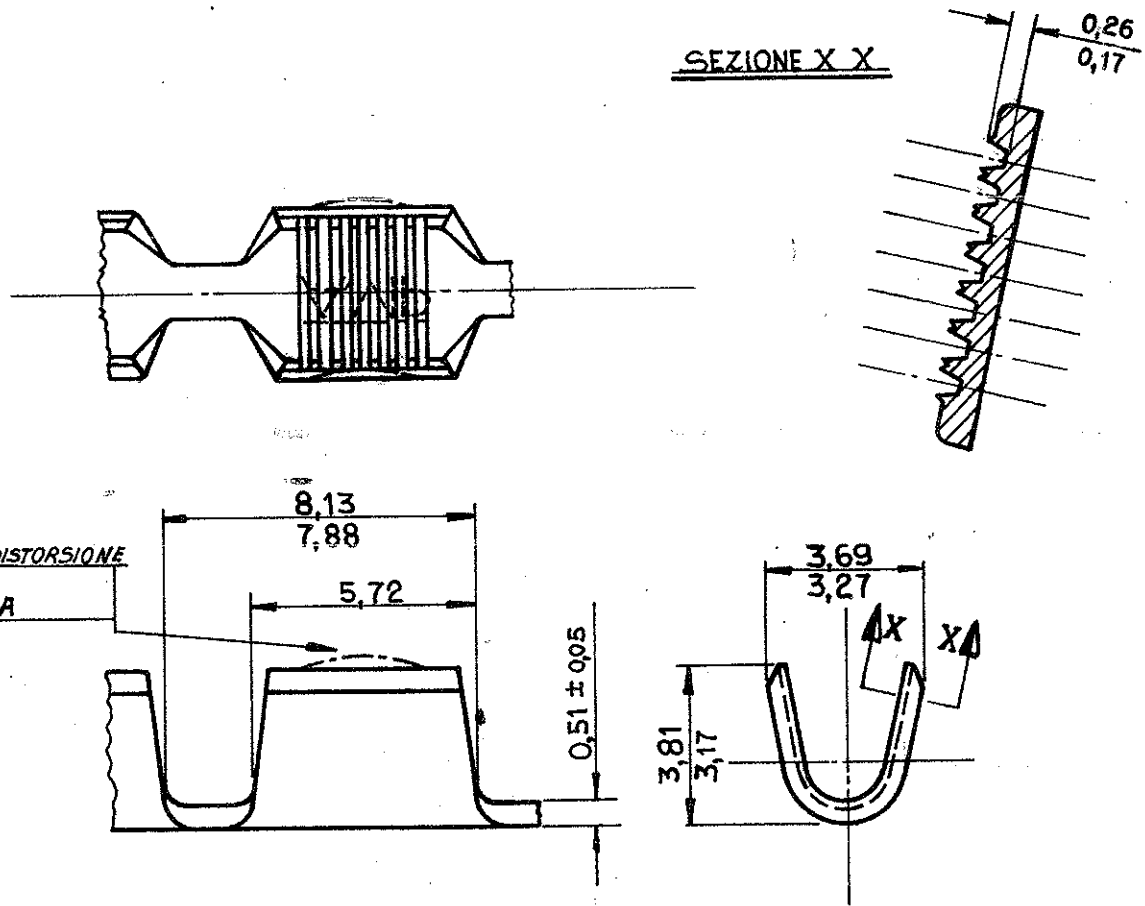


NUMBER
C-280004



PICCOLA DISTORSIONE
PERMESSA

STAGNATO	OTTONE	280004-2
	OTTONE	280004-1
FINITURA	MATERIALE	AMP P.N.

DIMENSIONS IN (MM) DO NOT SCALE PRINT

				© 1968 BY AMP INCORPORATED. ALL RIGHTS RESERVED. AMP PRODUCTS COVERED BY PATENTS AND/OR PATENTS PENDING.				CUSTOMER COPY REFERENCE ONLY							
				MATERIAL AND FINISH VEDI TABELLA				AMP ITALIA VIA CERVI 15 COLLEGNO (TORINO)							
				WIRE RANGE INSULATION TYPE 600 CMA 3000				CLASS AMPLIVAR							
B RIDISEGNATO E AGGIORNATO				DR 8-9-77				TOLERANCE EXCEPT AS NOTED ± 0,4 1° 0'				SCALE LOC NO REV I A 280004 B			
LTR REVISION RECORD				CHK DATE				NAME				AMP P.N.			
DN Dal Bello 8-9-77				DE				APP				AMP P.N.			
CHK				APP				NAME				AMP P.N.			

AMPLIVAR SPLICE