

## Data sheet

243-721

**FEMALE CONNECTOR STRIP WITH TEST SLOT  
PIN SPACING 5.75 MM / 0.226 IN PUSH-WIRE CONNECTION CAN BE ASSEMBLED  
TO FEMALE STRIPS USING DOVETAIL JOINTS**



## Technical data

Package size 400 pieces.

Pin spacing from	5.75 mm
Pin spacing from	0.226 in
Cross section to [AWG]	24 AWG
Cross section to [AWG]	22 AWG
Cross section to [AWG]	20 AWG
Cross section to [AWG]	18 AWG
Diameter to	0.5 mm
Diameter to	0.6 mm
Diameter to	0.8 mm
Diameter to	1 mm
Measured voltage EN	100 V
Measured shock voltage	1.5 kV
Pollution degree	2
Current intensity EN	6 A
Weight	0.747 g
Color	grey
Wiring type	Side-entry
No. of connection Points	4
No. of potentials	1
Height	10 mm
Height	0.394 in
Width	5.75 mm
Width	0.226 in

---

## Data sheet

243-721

**FEMALE CONNECTOR STRIP WITH TEST SLOT  
PIN SPACING 5.75 MM / 0.226 IN PUSH-WIRE CONNECTION CAN BE ASSEMBLED  
TO FEMALE STRIPS USING DOVETAIL JOINTS**

---

Depth	10.5 mm
Depth	0.413 in
Strip length from	5 mm
Strip length to	6 mm
Strip length	0.22 in

---

**Data sheet**

243-721

**FEMALE CONNECTOR STRIP WITH TEST SLOT  
PIN SPACING 5.75 MM / 0.226 IN PUSH-WIRE CONNECTION CAN BE ASSEMBLED  
TO FEMALE STRIPS USING DOVETAIL JOINTS**

---

Approval	Voltage	Current	Approval number	Notes
CCA	100	6	DK97-01026	
CSM	100	6	017956	
RMR	100	6	99.00007.250	
RosTesT	100	6	B09523	

---

**Data sheet**

243-721

**FEMALE CONNECTOR STRIP WITH TEST SLOT  
PIN SPACING 5.75 MM / 0.226 IN PUSH-WIRE CONNECTION CAN BE ASSEMBLED  
TO FEMALE STRIPS USING DOVETAIL JOINTS**

---

**Accessories**

**Item number**

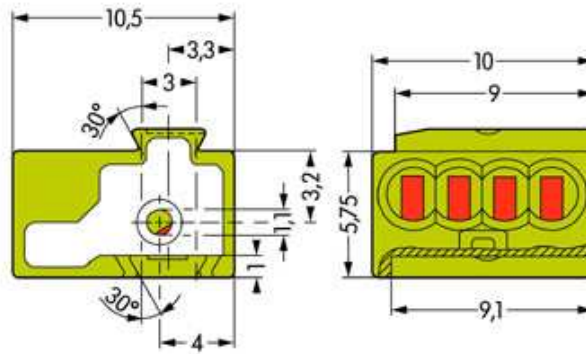
SOLDER PIN FOR PCBS UP TO 2 MM / 0.079 IN THICK

243-131

## Data sheet

243-721

**FEMALE CONNECTOR STRIP WITH TEST SLOT  
PIN SPACING 5.75 MM / 0.226 IN PUSH-WIRE CONNECTION CAN BE ASSEMBLED  
TO FEMALE STRIPS USING DOVETAIL JOINTS**



---

Data sheet

243-721

**FEMALE CONNECTOR STRIP WITH TEST SLOT  
PIN SPACING 5.75 MM / 0.226 IN PUSH-WIRE CONNECTION CAN BE ASSEMBLED  
TO FEMALE STRIPS USING DOVETAIL JOINTS**

---

Diameter of drilled hole:  $1,2^{\pm 0,05}$  mm