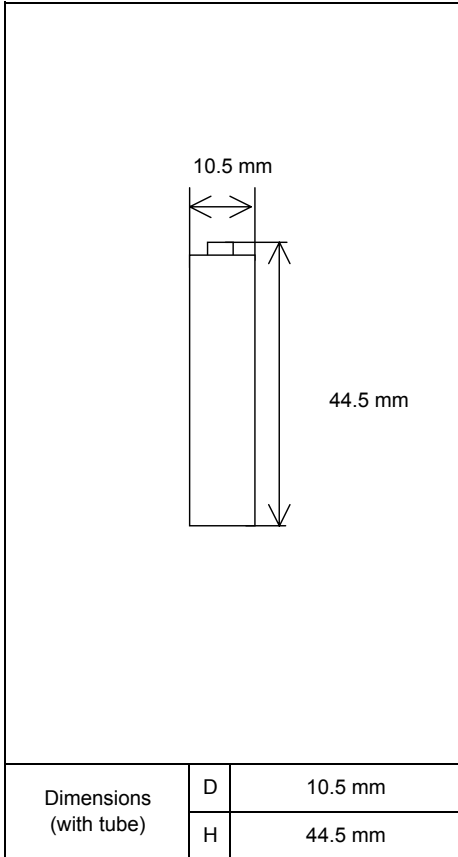


Specifications

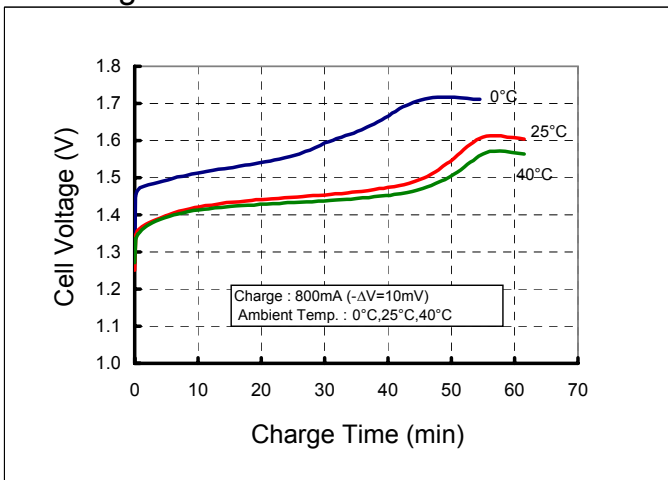


|  |                           |                           |
|--|---------------------------|---------------------------|
| Type : Nickel-Metal Hydride Battery                                |                           | Size : AAA Consumer Type  |
| Capacity <sup>1)</sup>   | Typical                   | 800mAh                    |
|  | Minimum                   | 750mAh                    |
| Nominal Voltage  |                           | 1.2V                      |
| Charging Current x Time  | Fast Charge <sup>2)</sup> | 800 mA x about 1.1h       |
| Ambient Temp.  | Charge Condition          | Fast Charge <sup>2)</sup> |
|  | Discharge Condition       |                           |
|  | Storage Condition         |                           |
|  | Less than 90days          | -20°C - 40°C              |
|  | Less than 1year           | -20°C - 30°C              |
| Internal Impedance <sup>3)</sup><br>(after discharge to E.V.=1.0V) |                           | Approx. 40mΩ (at 1000Hz)  |
| Weight <sup>4)</sup>   |                           | Approx. 13 g              |
| Size <sup>4)</sup> : (Diameter) x (Height)                         |                           | 10.5(D) x 44.5(H) mm      |

- 1)Single cell capacity under the following condition.  
Charge : 80mA×16h, Discharge : 160mA(E.V.=1.0V) at 20°C
- 2)Use recommended charging system.
- 3)After a few charge and discharge cycles under the above 1) condition.
- 4)With tube.

Typical Characteristics

Charge



Discharge

