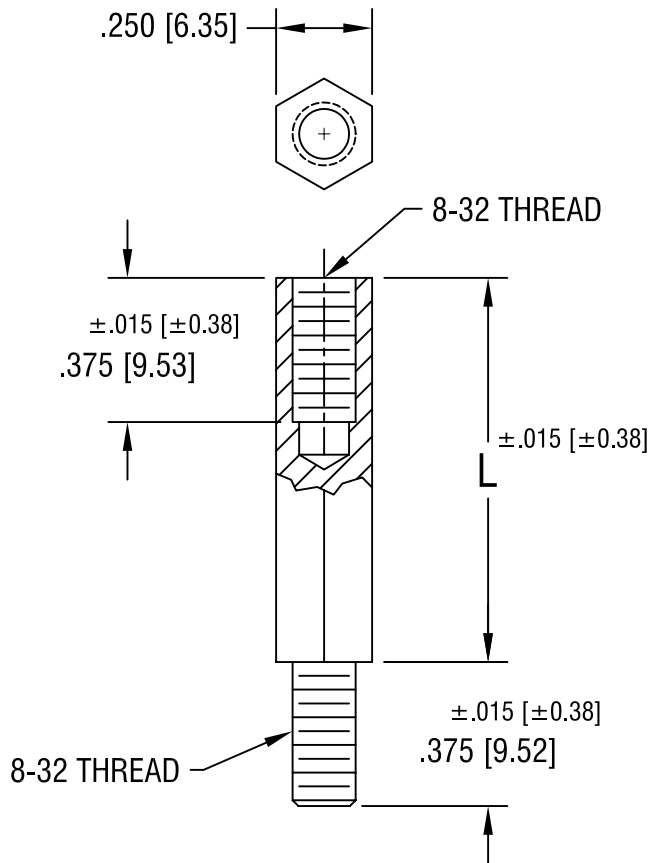


THIS DOCUMENT IS THE PROPERTY OF  
KEYSTONE ELECTRONICS CORP. AND  
SHALL NOT BE REPRODUCED, DISTRIBUTED  
OR USED AS A BASIS FOR MANUFACTURE  
WITHOUT PRIOR WRITTEN PERMISSION  
FROM KEYSTONE ELECTRONICS CORP.



PART NO.	'L' DIM.
4830	.500 [12.70]
4831	.625 [15.87]
4832	.750 [19.05]
4833	.875 [22.22]
4834	1.000 [25.4]
4835	1.125 [28.57]

**KEYSTONE ELECTRONICS CORP.**

ASTORIA, N.Y. 11105-2017

PART NAME

NYLON M/F HEX STANDOFF

MATERIAL

NYLON 6/6

FINISH

-

DRN BY

BOONE

DATE

5.3.02

APP'D

SCALE

2X

TOLERANCES

INCH

[MM]

DECIMAL  $\pm .005$  [ $\pm 0.15$ ]

CODE

ANGULAR  $\pm 1^\circ$   
UNLESS OTHERWISE SPECIFIED

DWG NO.

C/M

4830-4835

DATE

DESCRIPTION

REV.