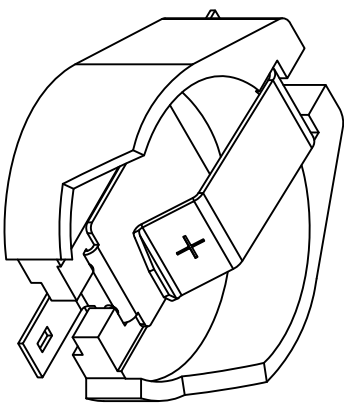
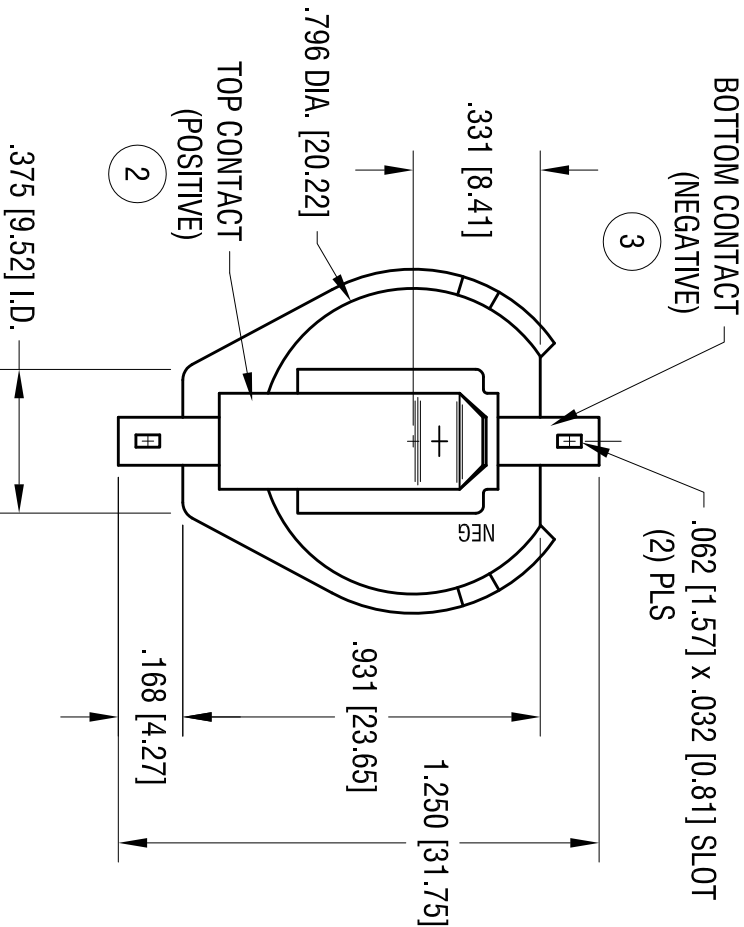
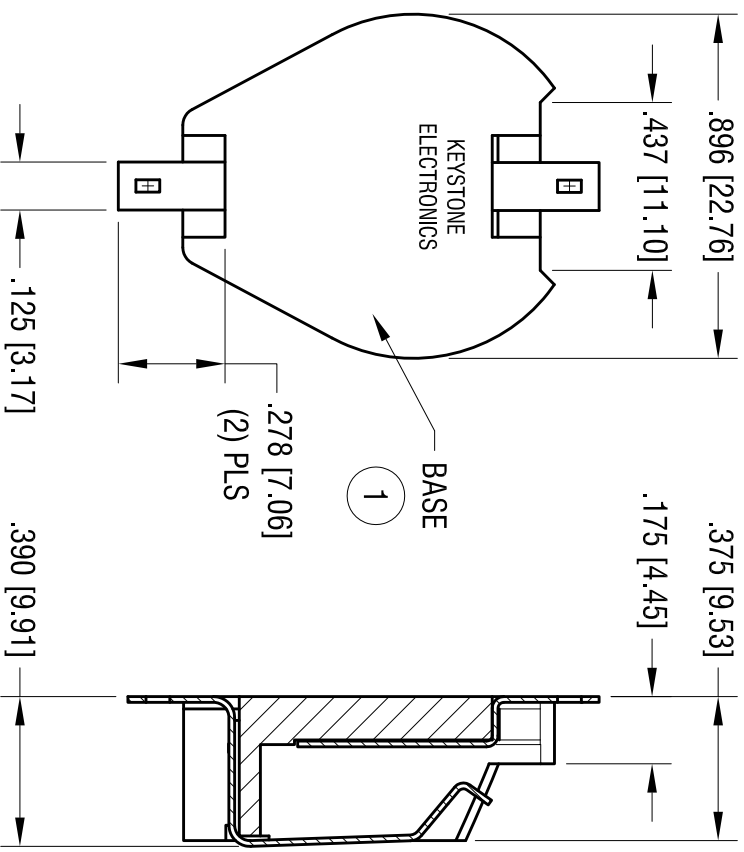


DATE	DESCRIPTION	REV.
9.17.04	CHANGE AS PER ECN 04-107	B
11.04.11	CHANGE AS PER ECN 11-149	C



THIS DOCUMENT IS THE PROPERTY OF KEYSTONE ELECTRONICS CORP. IT SHALL NOT BE REPRODUCED, DISTRIBUTED OR USED AS A BASIS FOR MANUFACTURE WITHOUT PRIOR WRITTEN PERMISSION FROM KEYSTONE ELECTRONICS CORP.

**KEYSTONE ELECTRONICS CORP.**  
 www.keystec.com • ASTORIA, N.Y. 11105-2017 • Tel (718) 956-8900

**PART NAME**  
 DUAL 20mm BATTERY HOLDER, SMT

**MATERIAL**  
 AS NOTED

**FINISH**  
 AS NOTED

TOLERANCES	INCH	[MM]	CODE	DWG NO.
DECIMAL	± .010	[± 0.25]	C	1064
ANGULAR	± 1°			

ITEM	DESCRIPTION	MATERIAL/FINISH
1	BASE BLACK	HIGH TEMPERATURE NYLON (UL 94V-0)
2	TOP CONTACT	SPRING STEEL .015 [0.38] THK
3	BOTTOM CONTACT	TIN NICKEL PLATE

