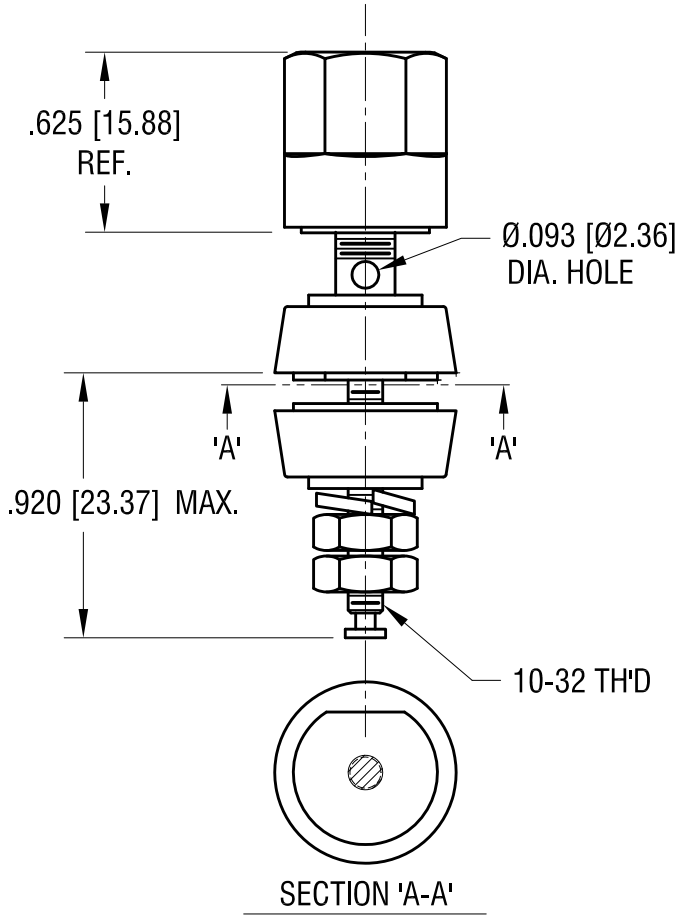
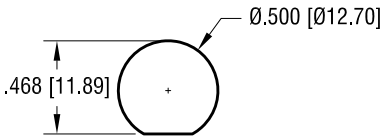
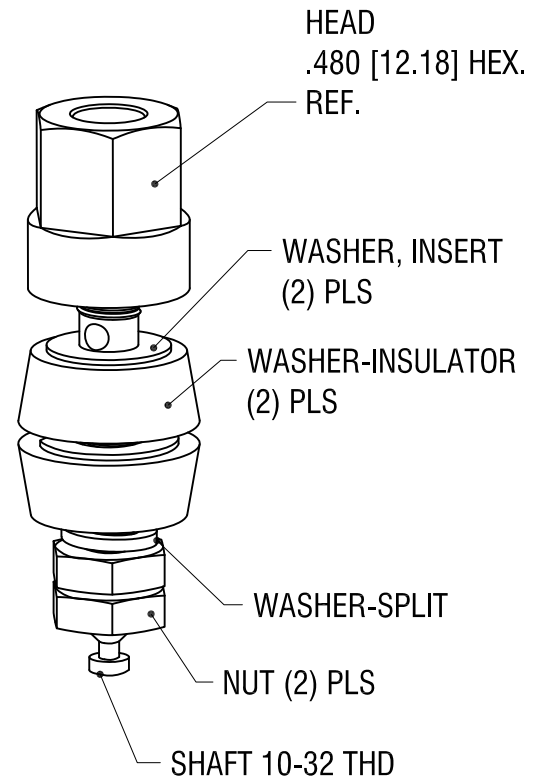


THIS DOCUMENT IS THE PROPERTY OF KEYSTONE ELECTRONICS CORP. AND SHALL NOT BE REPRODUCED, DISTRIBUTED OR USED AS A BASIS FOR MANUFACTURE WITHOUT PRIOR WRITTEN PERMISSION FROM KEYSTONE ELECTRONICS CORP.

MOUNTING DETAIL



P/N	TH'D	COLOR
7016	10-32	RED
7017	10-32	BLACK



DESCRIPTION	MAT'L	FINISH
HEAD	NYLON	-
WASHER, INSULATOR	NYLON	-
WASHER, INSERT	BRASS	GOLD PL.
WASHER, SPLIT	BRASS	GOLD PL.
NUT	BRASS	GOLD PL.
SHAFT 10-32 TH'D	BRASS	GOLD PL.

KEYSTONE ELECTRONICS CORP.

www.keyelco.com • ASTORIA, N.Y. 11105-2017 • Tel (718) 956-8900

PART NAME		STANDARD 'HEX' BINDING POST	
MATERIAL		AS NOTED	
FINISH	AS NOTED	DRN BY	BOONE
		APP'D	LN
		DATE	11.17.93
		SCALE	X
TOLERANCES	INCH [MM]	CODE	DWG NO.
DECIMAL	± .005 [± 0.13]	C	
ANGULAR	± 1°		
UNLESS OTHERWISE SPECIFIED			7016-7017

DATE	DESCRIPTION	REV.
8.14.12	CHANGE AS PER ECN 12-105	B
3.03.11	CHANGE AS PER ECN 11-027	A