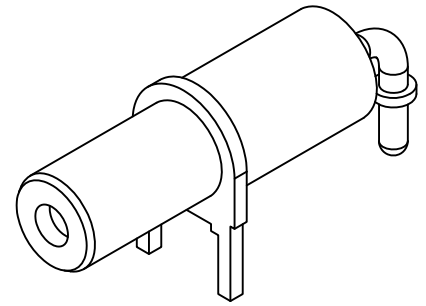
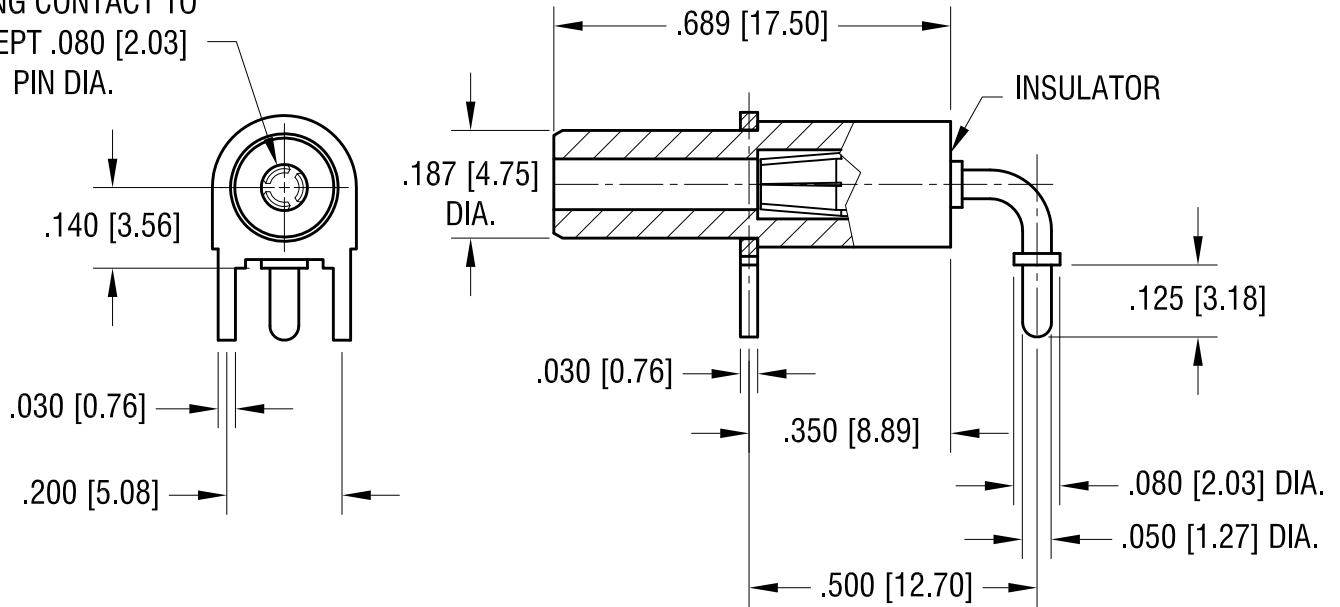


THIS DOCUMENT IS THE PROPERTY OF
KEYSTONE ELECTRONICS CORP. AND
SHALL NOT BE REPRODUCED, DISTRIBUTED
OR USED AS A BASIS FOR MANUFACTURE
WITHOUT PRIOR WRITTEN PERMISSION
FROM KEYSTONE ELECTRONICS CORP.



SPRING CONTACT TO
ACCEPT .080 [2.03]
PIN DIA.



NOTES:

1. TERMINAL JACK: MAT'L - BERYLLIUM COPPER (QQ-C-533)
2. BUSHING: MAT'L - PTFE
3. MOUNTING BRACKET: MAT'L - BRASS

PART NO.	COLOR
11013	WHITE
11013-R	RED
11013-B	BLACK

KEYSTONE ELECTRONICS CORP.			
www.keyelco.com • ASTORIA, N.Y. 11105-2017 • Tel (718) 956-8900			
PART NAME			
HORIZONTAL INSULATED TEST JACK			
MATERIAL			
AS NOTED			
FINISH		DRN BY	DATE
GOLD PLATE		N.T.	3.07.08
		APP'D	SCALE
		LN	3X
TOLERANCES		DWG NO.	
INCH	[MM]	11013-	
DECIMAL	± .005 [± 0.13]		
ANGULAR	± 1°		
UNLESS OTHERWISE SPECIFIED		CODE	
		C/M	

3.07.11	CHANGE AS PER ECN 11-030	A
DATE	DESCRIPTION	REV.