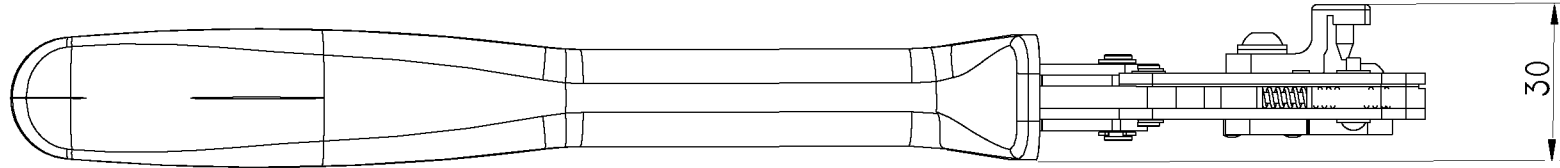
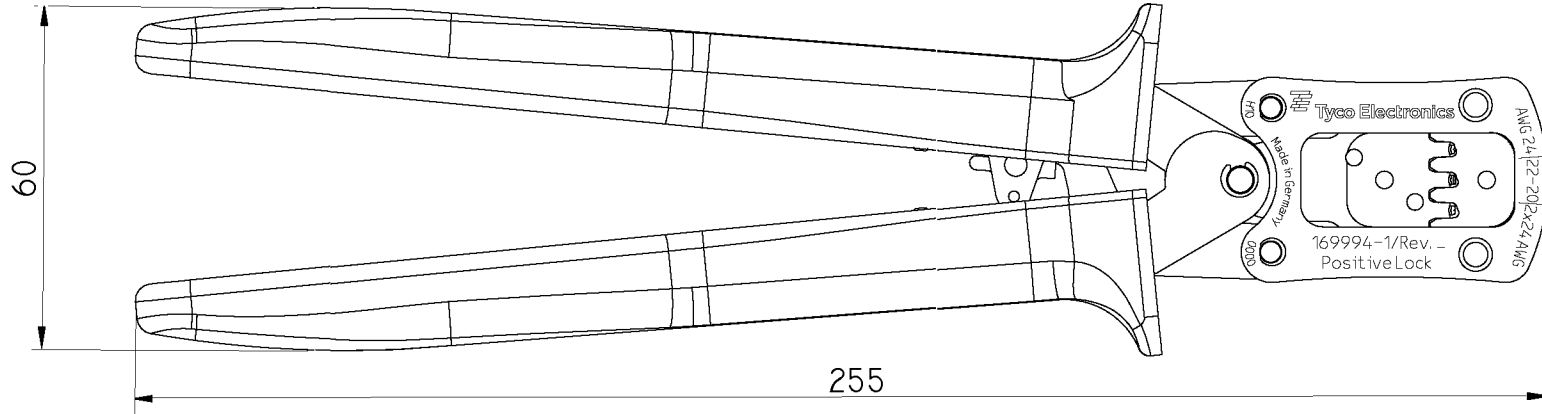


HAND TOOL POSITIVE LOCK 4.8 mm



Contacts	Wire Size	Wire Crimp	Insul. ϕ	Instr. Sheet
TE PN	AWG	Crimp Height mm	mm	
170330	24	0.99 \pm 0.05	0.9	411-19285
170330	20-22	1.08 \pm 0.05	1.05 - 1.3	
170330	2 x 24	1.08 \pm 0.05	2 x 0.9	

Handzange PN 169994-1 wie gezeichnet
Hand Tool PN 169994-1 as shown

LOC	DIST	REVISIONS				
P	LTR	DESCRIPTION	DATE	DWN	APVD	
A1	-	B	ECR-10-016820	20AUG2010	wi	wi

<small>THIS DRAWING IS A CONTROLLED DOCUMENT FOR TYCO ELECTRONICS CORPORATION. IT IS SUBJECT TO CHANGE AND THE CONTROLLING ENGINEERING ORGANIZATION SHOULD BE CONTACTED FOR THE LATEST REVISION.</small>		DWN C. Witt	20AUG2010	Tyco Electronics AMP GmbH 64625 Bensheim (Germany)	
DIMENSIONS: mm 		CHK -	APVD -	NAME HAND TOOL POSITIVE LOCK 4.8 mm Handzange Positive Lock 4.8 mm	
TOLERANCES UNLESS OTHERWISE SPECIFIED: 0 PLC \pm 1 PLC \pm 2 PLC \pm 3 PLC \pm 4 PLC \pm ANGLES \pm		PRODUCT SPEC -	APPLICATION SPEC -	SIZE A3	RESTRICTED TO -
MATERIAL -		WEIGHT 400 g	CAGE CODE 00779	DRAWING NO C=169994	SCALE 1:1
CUSTOMER DRAWING			SHEET 1	OF 1	REV B