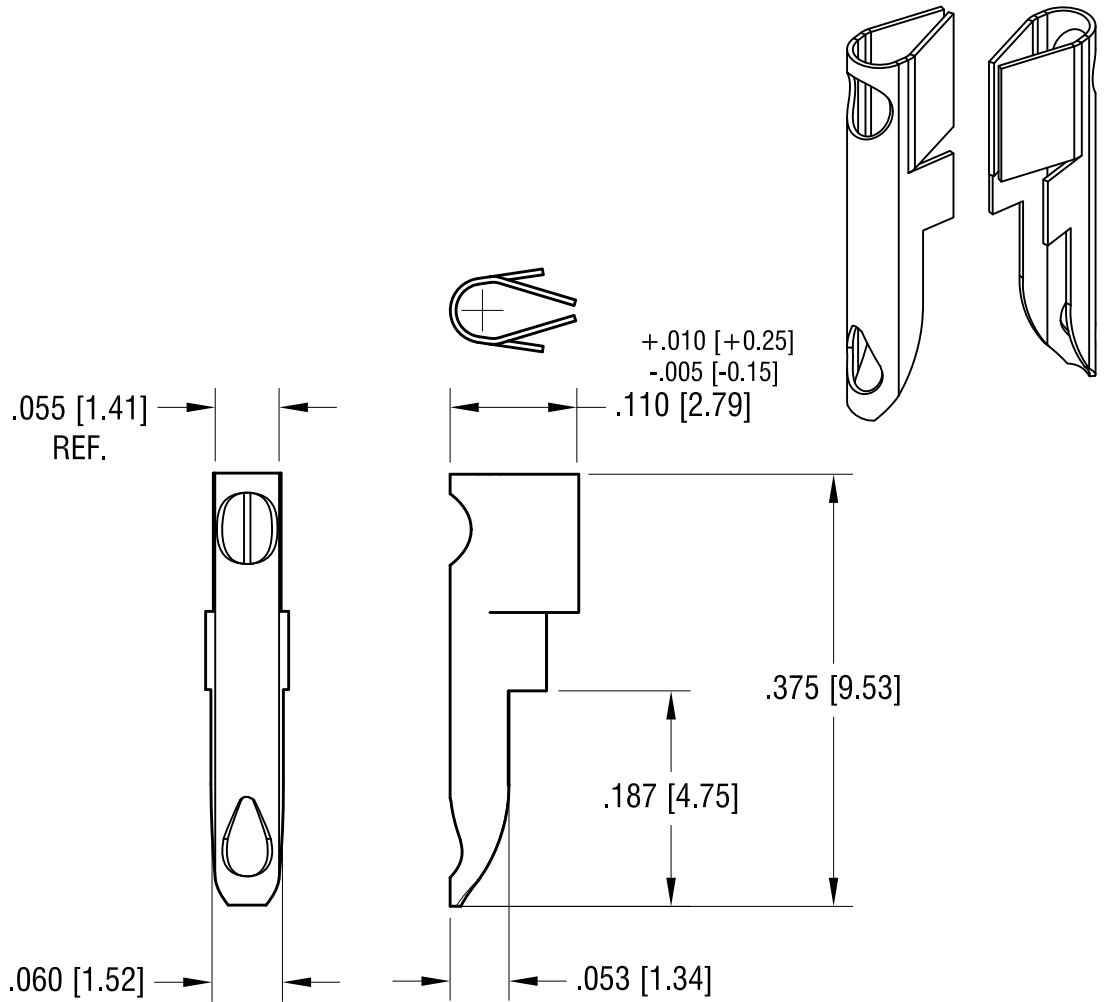


THIS DOCUMENT IS THE PROPERTY OF KEYSTONE ELECTRONICS CORP. AND SHALL NOT BE REPRODUCED, DISTRIBUTED OR USED AS A BASIS FOR MANUFACTURE WITHOUT PRIOR WRITTEN PERMISSION FROM KEYSTONE ELECTRONICS CORP.



NOTE:

- 1. HEAT TREAT TO SPRING TEMPER

9.21.09	CHANGE AS PER ECN 09-132	D
8.13.08	CHANGE AS PER ECN 08-138	C
6.27.08	CHANGE AS PER ECN 08-114	B
7.14.99	CHANGE AS PER ECN 99-052	A
DATE	DESCRIPTION	REV.

KEYSTONE ELECTRONICS CORP.			
www.keyelco.com • ASTORIA, N.Y. 11105-2017 • Tel (718) 956-8900			
PART NAME		FLEA CLIP	
MATERIAL			
.005 [0.15] TH'K BERYLLIUM COPPER			
FINISH		DRN BY	DATE
MATTE TIN PLATE		BOONE	5.26.82
		APP'D	SCALE
		LN	6X
TOLERANCES	INCH [MM]	CODE	DWG NO.
DECIMAL	± .005 [± 0.13]	C	1500
ANGULAR	± 1°		
UNLESS OTHERWISE SPECIFIED			