



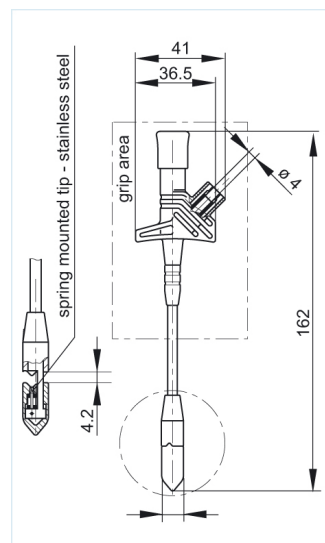
## KLEPS 2700 schwarz/black

Industrial Connectors:Measuring and Testing Equipment:Clamp-type test probes:4 mm safety system

### Product description

Description	Safety clamp-type test probe with split test clamp. The sprung stainless steel tip can contact insulated leads with cross-sections between 0.25 mm <sup>2</sup> and 1.5 mm <sup>2</sup> (3.5 mm diameter) without the need to strip them. 4 mm diameter brass socket connection.
Type	KLEPS 2700 schwarz/black
Order No.	972 307-100
System	4 mm safety system
Clamping range	1.5 mm <sup>2</sup>
Clamp type	stainless steel tip
Housing Color	black
Other standard types	red color, Order-No. 972 307-101

### Drawing



### Technical data

Type of contact	socket
Type of termination	4 mm socket
Standard	IEC 61010
Rated voltage	AC/DC 1000 V
Measurement Category	CAT III
Rated current	10 A
Contact resistance	100 mOhm
Certificates	CE

### Material

Contact material	needle (stainless steel)
Contact surface material	nickel-plated
Housing material	PBT

### Environmental conditions

Temperature range -25 °C to +80 °C

**Inflammability class**

Housing 94 HB

# PRODUCT DATASHEET

is brought to you by



[SOS electronic](https://www.soselectronic.com/)

distribution of electronic components

Click to view availability, pricing and lifecycle information.

Visit <https://www.soselectronic.com/>