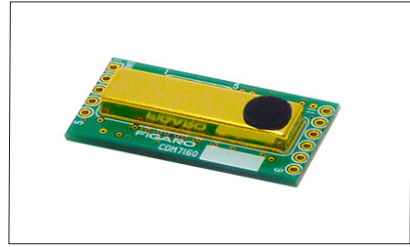


**FIGARO**

an ISO9001 company

**Technical Information for the CDM7160 CO2 Module**

The CDM7160 CO2 module uses a nondispersive infrared (NDIR) sensor principle and compact optics to achieve excellent performance characteristics, including high accuracy and low power consumption. Stable long term operation and output are achieved by using



dual IR detectors and Figaro's proprietary signal processing technology. Every module is individually calibrated and is provided with both a UART and I2C digital interface. The CDM7160 module is designed for simple integration into a user's products. It can be used in a wide range of applications such as ventilation controls for the improvement of energy savings and to assure a good indoor climate.

**Page**

*Basic Information and Specifications*

Features.....2  
 Applications.....2  
 Basic Principle and Structure.....2  
 Operating Conditions and Specifications.....2  
 Absolute Maximum Ratings.....2  
 Dimensions.....2  
 Functions.....3  
 Pin Configuration/Functions.....4  
 Installation and Soldering Conditions.....5

*Reliability*

Long Term Stability.....5  
 Corrosion Test.....5  
 Dust Test.....5  
 Temperature Cycle Test.....5  
 High/Low Temperature Test.....6

*Communication*

UART Communication.....6  
 I2C Communication.....8

*Housing Design*.....10

*Packaging*.....10

*Maintenance*.....11

*Handling Precautions*.....11

*Frequently Asked Questions*.....11

**IMPORTANT NOTE:** OPERATING CONDITIONS IN WHICH FIGARO SENSORS ARE USED WILL VARY WITH EACH CUSTOMER'S SPECIFIC APPLICATIONS. FIGARO STRONGLY RECOMMENDS CONSULTING OUR TECHNICAL STAFF BEFORE DEPLOYING FIGARO SENSORS IN YOUR APPLICATION AND, IN PARTICULAR, WHEN CUSTOMER'S TARGET GASES ARE NOT LISTED HEREIN. FIGARO CANNOT ASSUME ANY RESPONSIBILITY FOR ANY USE OF ITS SENSORS IN A PRODUCT OR APPLICATION FOR WHICH THE SENSOR HAS NOT BEEN SPECIFICALLY TESTED BY FIGARO.

## 1. Basic Information and Specifications

### 1-1 Features

- \* Small size
- \* Low power
- \* High accuracy
- \* Single light source, dual wavelength system

### 1-2 Applications:

- \* Indoor air quality control
- \* Fresh air ventilators
- \* Air conditioners
- \* Automatic fans and window openers

### 1-3 Basic principle and structure

Fig. 1 shows the basic principle of the dual wavelength system. Fig. 2 shows the basic structure of the module's optics.

This sensor is a single light source, dual wavelength system. The sensor employs two detectors with different optical filters in front of each detector. One detector measures the intensity of infrared light passing through the optical filter, transmitting only the infrared wavelength region absorbed by CO<sub>2</sub> (CO<sub>2</sub> absorption wavelength). The other detector measures the intensity of infrared light passing through the optical filter, transmitting only an infrared wavelength (3.8μm) not absorbed by CO<sub>2</sub> (i.e. a reference wavelength), and is thus unaffected by the constant presence of CO<sub>2</sub>.

Accurate measurement of CO<sub>2</sub> concentration by CDM7160 is achieved by the module's microprocessor calculating CO<sub>2</sub> concentration from the difference between light intensity transmitted at the CO<sub>2</sub> absorption wavelength and at the reference wavelength.

Stable sensor output throughout a long period of operation is achieved by proprietary signal processing technology.

### 1-4 Operating conditions & specifications (refer to Table 1)

### 1-5 Absolute maximum ratings (refer to Table 2)

Products using CDM7160 should be designed so that these maximum ratings are *never* exceeded.

### 1-6 Dimensions (Fig. 3)

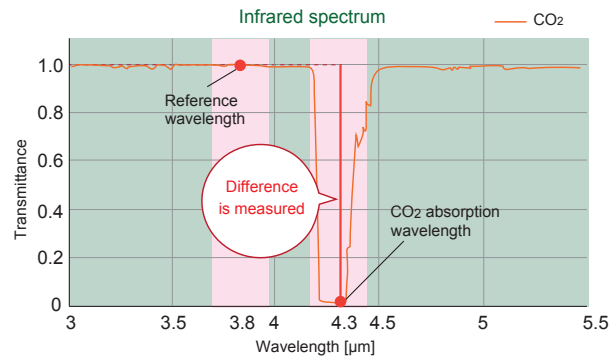


Fig. 1 - Basic principle for the dual wavelength system

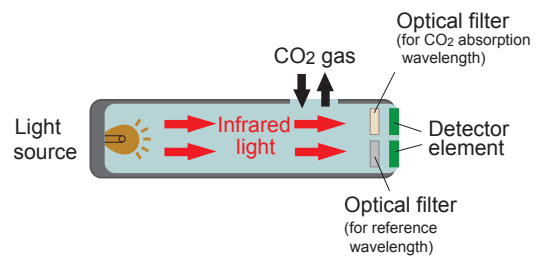


Fig. 2 - Basic structure of CDM7160 optics

Product name	Carbon dioxide (CO <sub>2</sub> ) sensor module
Model No.	CDM7160-C00
Detection range	300~5,000ppm CO <sub>2</sub>
Operating principle	Non-dispersive infrared (NDIR)
Power supply	4.75~5.25V DC
Current consumption	60mA peak, 10mA avg.
Accuracy (Note 1)	±(50ppm+3% of reading) in the range of 300~5,000ppm CO <sub>2</sub>
Pressure dependency	approx 1% of reading / kPa
Response time (T <sub>90</sub> )	2 min. (diffusion)
Operating conditions	0~50°C/0~85%RH (no condensation)
Storage conditions	-30~70°C/0~85%RH (no condensation)
Communication port	UART/ I2C (gas conc. output 300~10,000ppm)
Measurement interval	2 sec.
PWM output (1kHz)	0~100% duty cycle for 0~5,000ppm, CMOS output
Alarm output	CMOS output: High>1,000ppm Low<900ppm
Dimensions	32 x 17 x 7.5 (mm)
Weight	approx. 3g

Table 1 - Specifications of CDM7160

Note 1: Represents accuracy at the time of factory test. For long term accuracy, please refer to Fig. 5 - Long term stability of CDM7160.

## 1-7 Functions

CDM7160 has the following 6 major functions:

### 1-7-1 CO<sub>2</sub> concentration output

CDM7160 has two CO<sub>2</sub> concentration outputs. One is PWM output (please refer to Sec. 1-8-3 - Pin No.4), the other is digital output through the communication port (please refer to Sec. 3 - Communication).

### 1-7-2 Alarm signal output

CDM7160 has an alarm signal output. Please refer to Sec 1-8-3. Pin No.3 (Alarm) for further information about this signal.

### 1-7-3 Manual calibration function

CDM7160 has two manual calibration functions. One is air adjustment, the other is zero adjustment. With air adjustment, CO<sub>2</sub> concentration output is set at 400ppm, assuming the sensor is exposed to 400ppm CO<sub>2</sub> (normal CO<sub>2</sub> levels in clean air are approx. 400ppm). With zero adjustment, CO<sub>2</sub> concentration output is set at 0ppm, assuming the sensor is exposed to 0ppm CO<sub>2</sub>. For further details, please refer to Sec 1-8-6. Pin No.7 (CAL).

### 1-7-4 Long term adjustment

Drift which may occur during a long period of operation is automatically adjusted by proprietary software called "Long Term Adjustment" (LTA). When LTA1 is enabled, the CO<sub>2</sub> concentration output signal is automatically adjusted if the output level in clean normal air is lower than the preset target concentration (default setting: 400ppm) during long term operation. When LTA2 is enabled, the CO<sub>2</sub> concentration output signal is automatically adjusted if the output level in clean normal air is higher than the preset target concentration. Default setting for LTA1 is ON, and OFF for LTA2. Please refer to the document CDM7160 Communication Specifications for more details.

### 1-7-5 Atmospheric pressure and altitude compensation

The factory default setting of CDM7160 for atmospheric pressure and altitude is fixed at 1013.25 hPa and 0m. Since CDM7160 has pressure and altitude dependency, compensation for atmospheric pressure and altitude is needed to obtain high accuracy under different pressures/altitudes. To compensate, please refer to the document CDM7160 Communication Specifications.

### 1-7-6 Serial number readout

An individual serial number is shown on the sensor's label and is recorded in each sensor as well. The serial

Pin connection

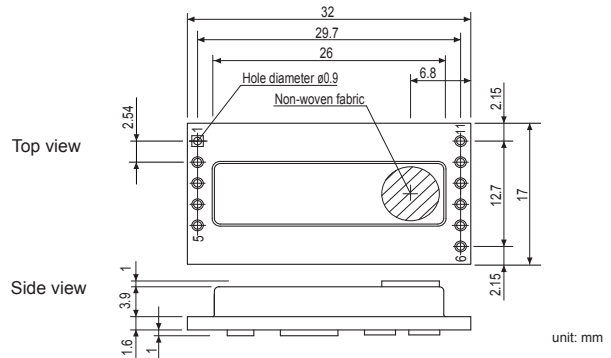
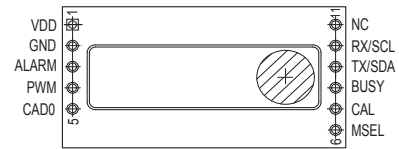


Fig. 3 - Dimensions of CDM7160

Item	Min.	Max.	u/m
Ambient temperature	-40	85	°C
Input voltage	-0.3	5.5	V
Maximum input voltage (MSEL in, CAD in, CAL in, Rx/SCL)	-0.3	VDD+0.2 and 5.5	V
Maximum output current (Alarm, PWM, Busy, Tx/SDA)	-	50	mA

Table 2 - Absolute maximum ratings for CDM7160

Pin No	Name	Description
1	VDD	Input voltage
2	GND	Common ground
3	ALARM	Alarm output
4	PWM	PWM output
5	CAD0	I2C slave address selection input (internal pull up)
6	MSEL	Communication mode signal input I2C/UART (internal pull up)
7	CAL	Air/zero adjustment input (internal pull up)
8	BUSY	BUSY signal output
9	Tx/SDA	UART Tx output/ I2C SDA input/output
10	Rx/SCL	UART Rx input/ I2C SCL input
11	NC	not connected

Table 3 - Pin configurations and functions of CDM7160

number can be read via serial communication for individual traceability control, eliminating the need for manual data entry of serial numbers and human input error.

### 1-8 Pin configurations and functions (Table 3)

#### 1-8-1 Pin No.1 (VDD)

Since a voltage regulator is included in the sensor, input voltage variation within the range of 4.75~5.25V does not affect output voltage of the sensor.

#### 1-8-2 Pin No.3 (ALARM)

The factory settings of the alarm threshold are 1000ppm for alarm trigger and 900ppm for alarm reset. The thresholds are user-changable. Please refer to the document *CDM7160 Communication Specifications*.

#### 1-8-3 Pin No.4 (PWM)

A pulse of 1kHz that corresponds to 0~5,000ppm CO<sub>2</sub> is output from Pin No.4. A PWM signal can be easily converted to analog voltage. Please refer to Fig.4 for an example circuit.

#### 1-8-4 Pin No.5 (CAD0)

This port is for the selection of the least significant bit of the I2C slave address. By assigning High or Low to each slave, a maximum of 2 units of CDM7160 can be connected to one I2C bus. Since this pin is internally pulled up, if this port is not connected, High is input.

#### 1-8-5 Pin No.6 (MSEL)

For I2C communication, this pin should be connected to Low. The MSEL pin is internally pulled up. If the MSEL pin is not connected, the UART interface is used.

#### 1-8-6 Pin No.7 (CAL)

When Low voltage is applied to this port, calibration mode is activated. During normal operation (i.e. when calibration is not being performed), please connect to High or do not connect (open). (This pin is internally pulled up.)

When this pin is connected to Low for 4~10 sec., air adjustment is carried out assuming 400ppm exposure to the sensor.

When connected to Low for 12 sec. or longer, zero adjustment is carried out assuming 0ppm exposure to the sensor.

#### 1-8-7 Pin No.8 (BUSY)

The sensor may not communicate for a short period

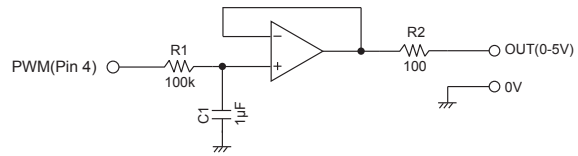


Fig. 4 - PWM signal conversion circuit

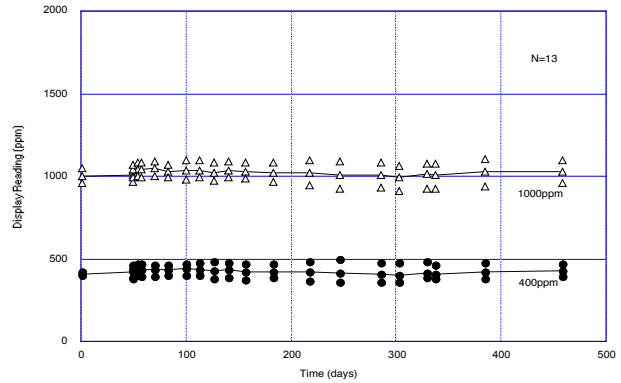


Fig. 5 - Long term stability of CDM7160

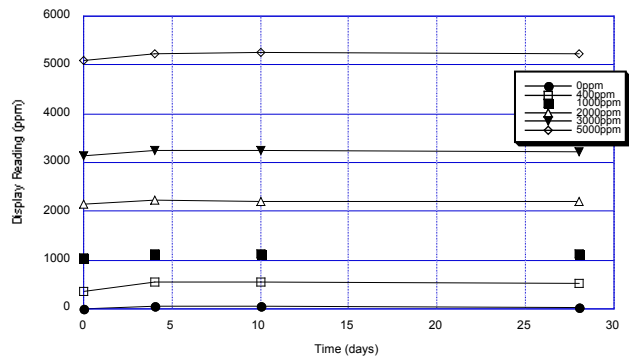


Fig. 6-1 - Durability of CDM7160 against H<sub>2</sub>S

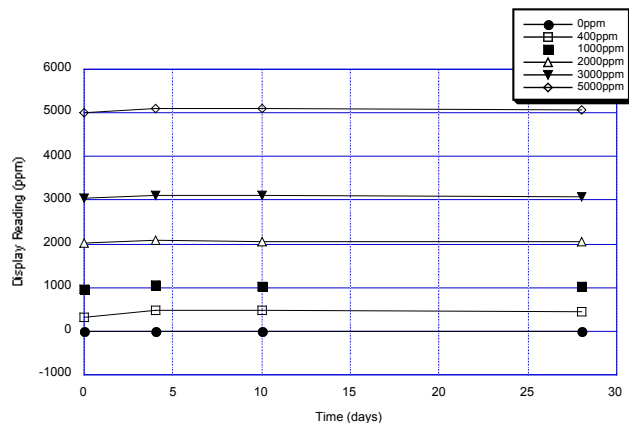


Fig. 6-2 - Durability of CDM7160 against SO<sub>2</sub>

(about 0.3 sec.) due to the internal processing. During the BUSY state, High signal is output. For more detail, please refer to the document CDM7160 Communication Specifications.

1-8-8 Pin No. 9 (Tx/SDA)

This port works as a Tx port for UART communication and as a SDA (data) port for I2C communication.

1-8-9 Pin No. 10 (Rx/SCL)

This port works as an Rx port for UART communication and as a SCL (clock) port for I2C communication.

1-9 Installation and soldering conditions

CDM7160 can be mounted on a mother printed circuit board by soldering the 0.9mmφ terminal holes of the sensor to pin strips of a 2.54mm pitch.

2. Reliability

2-1 Long term stability

Fig. 5 shows the long term stability of the sensor. The Y-axis shows CO2 concentration output at various concentrations of CO2. The CO2 concentration output is stable during the test period.

2-2 Corrosion test

The influence of corrosive gases on the sensor was evaluated. Test samples were stored at 40°C/82%RH. Under this condition, two different tests were carried out:

- 1) exposure to 3ppm H2S for 28 days
- 2) exposure to 10ppm SO2 for 28 days

After gas exposure was concluded, CO2 concentration output was measured.

Fig. 6-1 and Fig. 6-2 show the durability test results for H2S and SO2 respectively. The test results demonstrate that there is no significant influence on the sensor from this corrosive gas exposure test.

2-3 Dust test

Durability against dust exposure was tested. Five different types of dust as specified by JIS Z 8901 were dropped onto the sensor continuously for 15 minutes under conditions of 22°C/41%RH. Fig. 7 shows CO2 concentration output before and after the dust test. This demonstrates that there is no significant influence from this dust exposure test on sensor performance.

2-4 Temperature cycle test

Durability to temperature cycling was tested. Test samples were exposed to 500 cycles of -30°C/30 minutes and 70°C/30 minutes. The test results shown

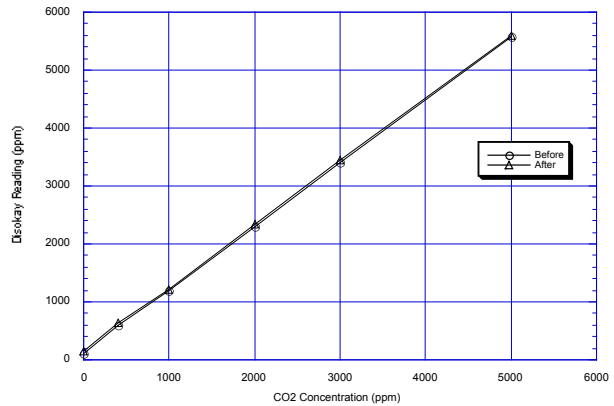


Fig. 7 - Durability of CDM7160 against dust

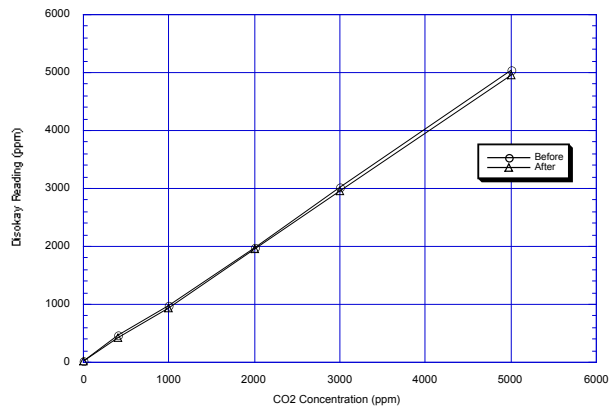


Fig. 8 - Durability of CDM7160 to temperature cycling

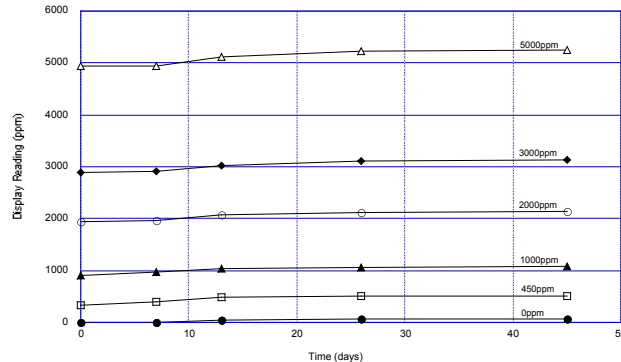


Fig. 9-1 - Durability of CDM7160 to high temperature (60°C)

in Fig. 8 demonstrate that there is no significant influence on the sensor from the extreme conditions of this temperature cycle.

2-5 High/Low temperature test

Fig.9-1 shows the test result when the samples were operated at 60°C with a maximum input voltage 5.25V. Before measuring the CO2 concentration output, sensors were conditioned at room temperature for 1 hour. The test result demonstrates that there is no significant influence from high temperature.

Fig.9-2 shows the test result when the samples were operated at -10°C with a minimum input voltage 4.75V. Before measuring the CO2 concentration output, sensors were conditioned at room temperature for 1 hour. The test result demonstrates that there is no significant influence from low temperature.

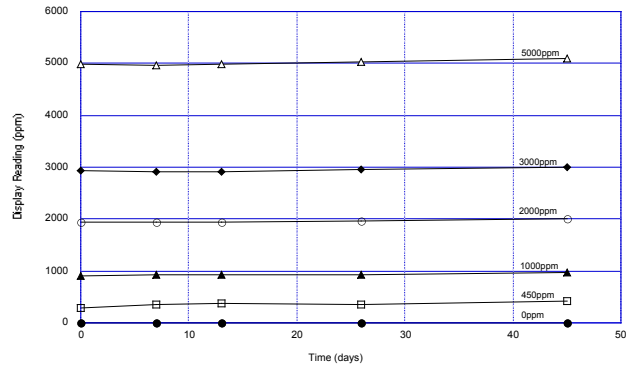


Fig. 9-2 - Durability of CDM7160 to low temperature (-10°C)

3. Communication

The sensor is provided with both UART and I2C digital interfaces. There are two operating modes:

- 1) continuous operating mode
- 2) power down mode.

To change register value in I2C communication, it is necessary to write the register value after switching to power down mode.

3-1 UART communication

3-1-1 Connection

Please connect the system (Master) and CDM7160 (Slave) as shown in Fig.10.

3-1-2 Basic operation

When CDM7160 is reset with the MSEL pin being set to High, the sensor starts operation in the UART

Communication speed	9600bps
Parity	No
Start bit	1 bit
Stop bit	1 bit
Bit length	8
Flow control	No

Table 4- UART communication parameters

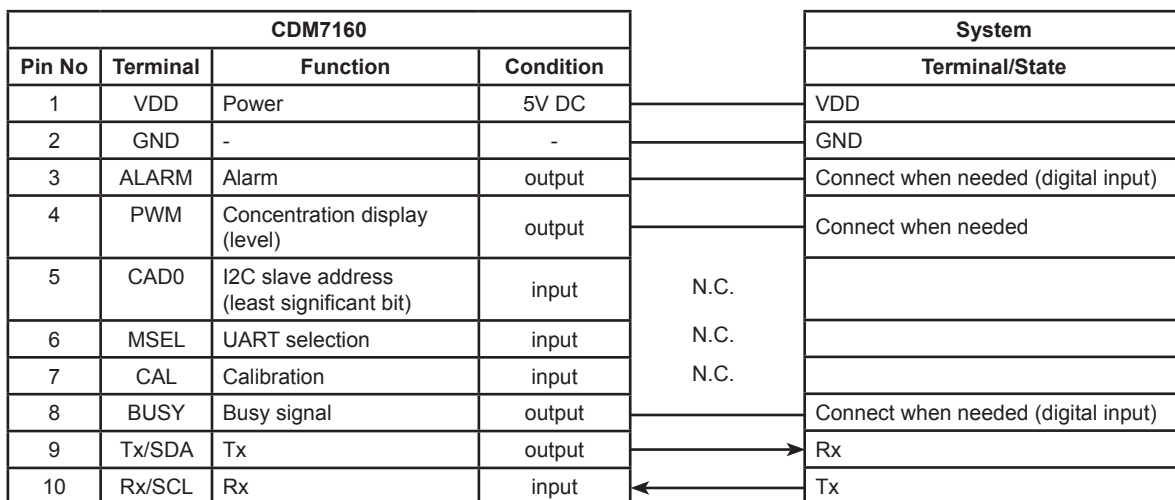


Fig. 10 - UART connections

communication mode. When the sensor is unable to communicate during internal processing, the BUSY terminal will output a High signal. The external controller (Master) should monitor the terminal output to check for the status of communication.

3-1-2-1 *Communication parameters (Table 4)*

3-1-2-2 *Protocol*

The communication protocol of CDM7160 is similar to but not fully compatible with Modbus protocol. With Modbus protocol, the master always sends messages and the slave responds to them. The external controller serves as the master device (Master) and the CDM7160 serves as the slave device (Slave).

The transmission procedure is as follows:

- 1) The master sends a command message to the slave.
- 2) The slave checks if the device address in the received message matches its own address.

When the addresses match, the slave performs processing according to the function code and sends back a response message. When the addresses do not match, the slave discards the received message and waits for the next message.

**Note:**

Please insert a space corresponding to 3.5 bytes or more before and after messages. Please do not include space characters of 1.5 bytes or more between bytes within a message.

3-1-2-3 *Structure of message (Table 5)*

The command message from Master and the response message from Slave consist of four parts: Device address, Function code, Data section, and Error check code. They are sent in this order.

There are two kinds of function commands:

- 1) similar to Modbus (Modbus common command)
- 2) a specially designed command for CDM7160 (CDM7160 unique command). (see Table 6)

**Notes:**

- 1) For both kinds of commands, the Master always sends messages and the Slave responds to them.
- 2) The CDM7160 unique command can access the CO2 concentration readout-only area the same as the Modbus common command. In addition, CDM7160 unique command can access the registered memory area which is shown in Sec. 3-2-5.

No.	Name	Byte
1	Device address <sup>*1</sup>	1
2	Function code	1
3	Data section	2~17
4	Error check code <sup>*2</sup>	2

<sup>\*1</sup> Please fix "FEH" for device address

<sup>\*2</sup> Please calculate error check code using CRC-16 method. Please refer to document CDM7160 Communication Specifications

Table 5 - UART message structure

Command Group	Function
Modbus common command	CO2 concentration readout User calibration
CDM7160 unique command	CO2 concentration readout Alarm threshold change Altitude pressure compensation User calibration

Table 6 - UART function commands

**Message from Master**

	Device code	Function code	Data part (1)	Data part (2)	Data part (3)	Data part (4)	Error check (1)	Error check (2)
CO <sub>2</sub> concentration readout	FE	04	00	03	00	01	D5	C5

Readout start address      Number of readout words

**Response from Slave**

	Device code	Function code	Data part (1)	Data part (2)	Data part (3)	Error check (1)	Error check (2)
CO <sub>2</sub> concentration readout	FE	04	02	06	5B	EF	7F

Number of readout bytes      CO<sub>2</sub> concentration (hexadecimal number)

Table 7 - Modbus common command for CO<sub>2</sub> concentration readout (example)

**Message from Master**

	Device code	Function code	Data part (1)	Data part (2)	Data part (3)	Error check (1)	Error check (2)
CO <sub>2</sub> concentration readout	FE	44	00	08	02	9F	25

**Response from Slave**

	Device code	Function code	Data part (1)	Data part (2)	Data part (3)	Error check (1)	Error check (2)
CO <sub>2</sub> concentration readout	FE	44	02	06	59	7B	7E

Number of readout bytes      CO<sub>2</sub> concentration (0659H=1625ppm)

Table 8 - CDM7160 unique command for CO<sub>2</sub> concentration readout (example)

**3-1-2-4 Message example**

3-1-2-4-1 Example of Modbus common command for CO<sub>2</sub> concentration readout (Table 7)

3-1-2-4-2 Example of CDM7160 unique command for CO<sub>2</sub> concentration readout (Table 8)

**Note:**

Please refer to the document *CDM7160 Communication Specifications* for how to make an error check code (CRC-16 calculation method).

**3-2 I2C communication**

**3-2-1 Connection**

Please connect the system (Master) and CDM7160 (Slave) as shown in Fig. 11.

When Low voltage is applied to the MSEL pin, CDM7160 starts operation in I2C communication mode.

**3-2-2 Basic operation**

Operating sequence from the Master side

1. Transmit "Start Condition" to Slave
2. Transmit Slave address
3. Acknowledge (Ack.) is transmitted from Slave (CDM7160) back to the Master
4. Transmit Register address to Slave
5. Acknowledge (Ack.) is transmitted from Slave (CDM7160) back to Master
6. Repeat steps 4 and 5
7. Send "Stop Condition" to Slave

**3-2-3 Address and register**

Address and register consist of 1 byte (=8 bits). Data with 2 bytes or longer will be transmitted from the highest-order bit (big endian).

**3-2-3-1 Bit configuration of Slave address (1 byte) (Table 9)**

Within one byte, the highest 7 bits are used for the



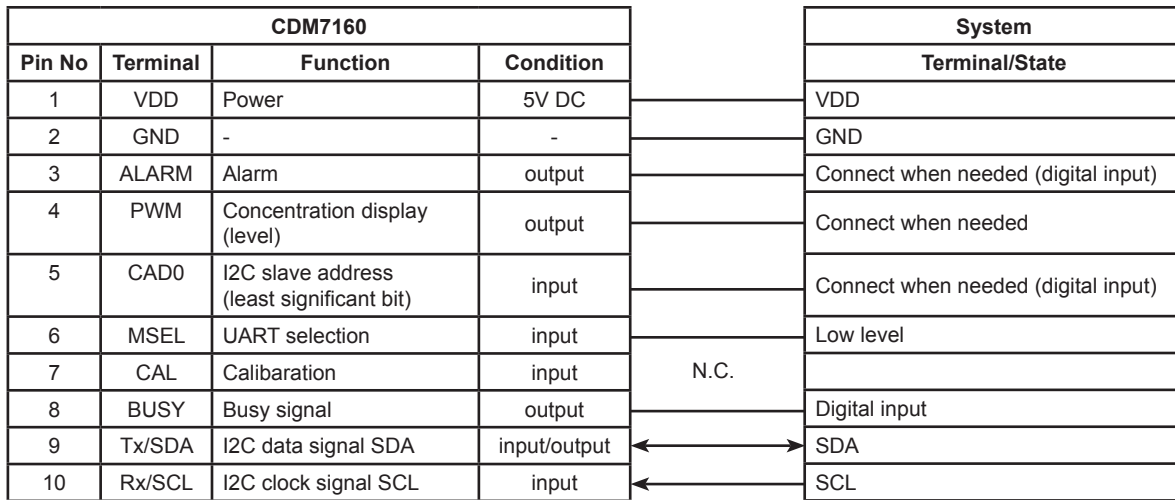


Fig. 11 - I2C connections

slave address, and the least significant bit is used to select Read or Write.

b7~b1: Slave address

where:

b1 corresponds to H/L of CAD0 port (5 pin)

b1 = 0 for CAD0 = Low,

b1 = 1 for CAD0 = High

b0=1 for Read

b0=0 for Write

examples:

Slave address to Write with CAD0=Low

11010000

Slave address to Read with CAD0=High

11010011

3-2-3-2 Bit configuration of Register address (1 byte) (Table 10)

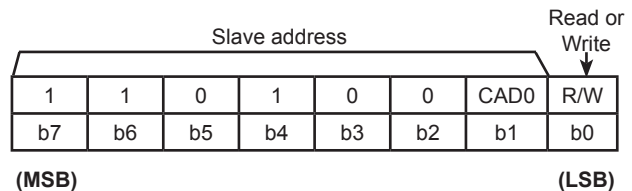


Table 9 - Bit configuration of slave address

A7	A6	A5	A4	A3	A2	A1	A0
b7	b6	b5	b4	b3	b2	b1	b0
(MSB)							(LSB)

Table 10 - Bit configuration of register address (1byte)

D7	D6	D5	D4	D3	D2	D1	D0
b7	b6	b5	b4	b3	b2	b1	b0
(MSB)							(LSB)

Table 11 - Bit configuration of data (1byte)

3-2-3-3 Bit configuration of Data (1 byte) (Table 11)

3-2-4-1 Write command

Fig.12 (see p.10) shows the data transfer sequence for the Write command. In this sequence, "06H" is written at register address "01H" for setting continuous operating mode. When CAD0=Low, the Slave address is 110100.

For details about the Start bit, Stop bit, ACK, and NACK, please refer to the document CDM7160 Communication Specifications.

3-2-4-2 Read command

There are two Read commands:

- 1) current address read command
- 2) random read command.

Fig.13 shows the random read command. The data transmission sequence shows how CO<sub>2</sub> concentration is read from CDM7160. The random Read comand assigns "03H" as the register address and reads 2 bytes from the address.

3-2-5 Register memory map (Table 12, 13)

Please refer to the document CDM7160 Communication Specifications for information about each register value, functions, and factory default setting.

4. Housing Design

CO<sub>2</sub> gas enters the chamber of CDM7160 through a pin hole under the non-woven fabric as shown in Fig. 3. For gas diffusion, it is recommended to separate the device housing from the top of the non-woven fabric by 5mm or more. If quicker response is required, it is recommended that the gas inlet of the sensor be located at the device's slits/opening. It is also recommended to make a small compartment with slits in at least two sides as shown in Fig. 14.

Heat is generated at the internal optical source of CDM7160. If a temperature sensor is located near the gas sensor, the temperature sensor may not show the correct ambient temperature. In this case, it is recommended to locate a temperature sensor where there is no thermal influence by CDM7160. Maintain enough distance from the CO<sub>2</sub> sensor or separate the temperature sensor from the CO<sub>2</sub> sensor (e.g. by using a thermal insulator).

5. Packing (Fig. 15--see p. 12)

50pcs. (25pcs. x 2 layers) of the individually wrapped CDM7160 with antistatic bubble sheet is packed in an inner box. 10 inner boxes (CDM7160: 50pcs. x

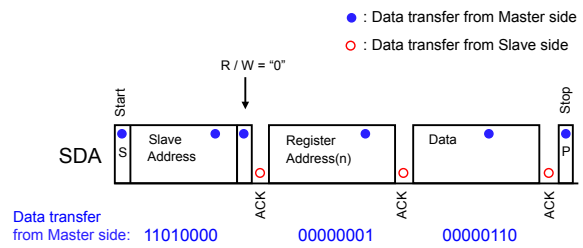


Fig. 12 - Data transfer sequence for Write command

1) Sensor compartment



2) Slits



Fig. 14 - Example housing design

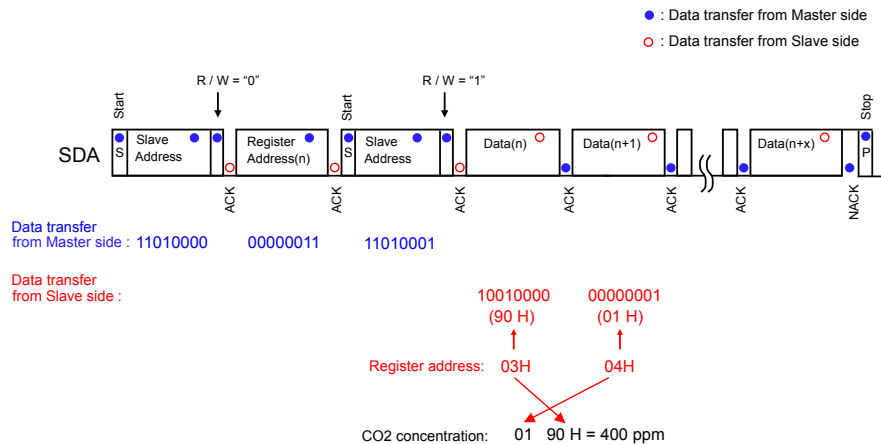


Fig. 13 - Data transfer sequence for random Read command

Address	Name	REG/EEP	Function	Description
00H	RST	REG	Software reset	Resets the module
01H	CTL	EEP	Operating mode	Specifies operating mode
02H	ST1	REG	Status register	Monitors the operating status--read-only
03H	DAL	REG	Low-order CO2 concentration data	Read-only
04H	DAH	REG	High-order CO2 concentration data	Read-only
09H	HPA	EEP	Atmospheric pressure	Specifies atmospheric pressure
0AH	HIT	EEP	Altitude	Specifies altitude
0CH	ALHI	EEP	Upper limit concentration for alarm signal	Specifies upper limit concentration for alarm signal
0DH	ALLO	EEP	Lower limit concentration for alarm signal	Specifies lower limit concentration for alarm signal
0EH	CAL	REG	User calibration	User calibration with I2C
0FH	FUNC	EEP	PWM output	Specifies properties of PWM function, enables/disables PWM, compensates atmospheric pressure and altitude
10H	ERROR	REG	Self diagnosis (error output)	Read-only
12H	AJCON	EEP	CO2 concentration for user calibration	Specifies CO2 concentration (400ppm default)

Table 12 - Register table

10boxes) are packed in a carton box.

**6. Maintenance**

The CDM7160 employs a single light source, dual wavelength system and proprietary signal processing technology to achieve stable long term operation. As a result, there is no need for maintenance when used for typical indoor air quality control applications. For customers who need more accurate measurement, the sensor has a function for air adjustment and zero adjustment that can be used for periodic manual calibration. For more details, please refer to *Sec. 1-8-6 Pin No.7 (CAL)*.

**7. Handling Precautions**

7-1 CDM7160 is an ESD-sensitive product. No ESD protection components such as zener diodes or varistors are used in this product. It is recommended that ESD protection equipment be used for handling the module during assembly of application products. ESD protection components and/or an ESD protection

enclosure should be used as required for the intended application when this module is embedded into finished products.

7-2 If sensors are dropped, please do not use them. Sensors may be damaged by mechanical shock.

**8. Frequently Asked Questions**

**Q1: Is it possible to measure CO2 concentrations higher than 5,000ppm?**

A: The measured CO2 concentration output through serial communication is available for concentration ranges higher than 5,000ppm. However, accuracy may be less than specifications above 5,000ppm. The maximum PWM output range is 5,000ppm.

**Q2: Is it possible to measure a low range less than 400ppm?**

A: CO2 concentration range less than 360ppm cannot be measured under the default settings. CO2 concentration output less than 360ppm is available by altering the default settings. However, accuracy

Address	Name	D7	D6	D5	D4	D3	D2	D1	D0
00H	RST	-	-	-	-	-	-	-	REST
01H	CTL	-	-	-	-	-	CTL2	CTL1	CTL0
02H	ST1	BUSY	ALARM	-	-	-	-	CAD0	MSEL
03H	DAL	D7	D6	D5	D4	D3	D2	D1	D0
04H	DAH	-	D14	D13	D12	D11	D10	D9	D8
09H	HPA	Hpa7	Hpa6	Hpa5	Hpa4	Hpa3	Hpa2	Hpa1	Hpa0
0AH	HIT	Hit7	Hit6	Hit5	Hit4	Hit3	Hit2	Hit1	Hit0
0CH	ALHI	Alhi7	Alhi6	Alhi5	Alhi4	Alhi3	Alhi2	Alhi1	Alhi0
0DH	ALLO	Allo7	Allo6	Allo5	Allo4	Allo3	Allo2	Allo1	Allo0
0EH	CAL	-	-	-	-	-	-	Zero-A	Air-A
0FH	FUNC	-	-	-	-	PWMR	HPAE	-	PWME
10H	ERROR	-	-	-	-	-	-	-	Error0
12H	AJCON	Ajcon7	Ajcon6	Ajcon5	Ajcon4	Ajcon3	Ajcon2	Ajcon1	Ajcon0

Table 13 - Register map

may be less than specifications at less than 360ppm.

**Q3: What kind of component is used for the optical source and detector element?**

**A:** A incandescent lamp is used as an optical source and a photodiode is used for the detector element.

**Q4: There is a hysteresis by 100ppm between the high and low alarm thresholds. Is it possible to change the hysteresis?**

**A:** Yes, hysteresis can be changed. Please refer to "ALHI and ALLO" register of Register and EEPROM in the document CDM7160 Communication Specifications.

**Q5: Can the sensor be operated by 3V?**

**A:** No.

**Q6: Can analog output be obtained?**

**A:** By converting the PWM output signal, an analog output voltage can be easily made. Please refer to Fig. 4 in Sec. 1-8-3 Pin No.4 (PWM).

**Q7: What is the sensor's life expectancy?**

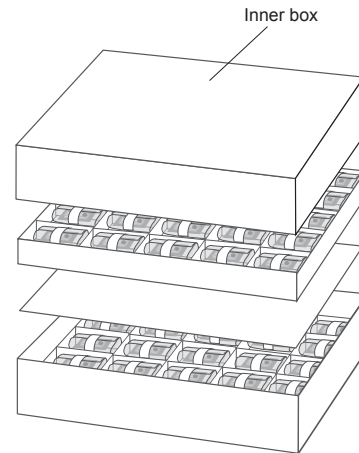
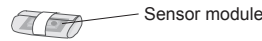
**A:** Expected sensor life of CDM7160 is 10 years or more.

**IMPORTANT NOTICE**

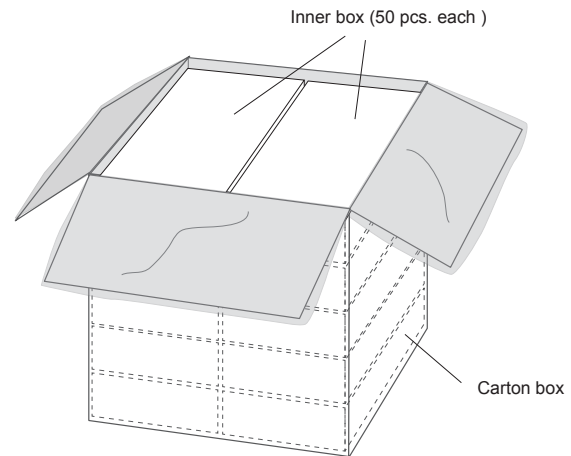
*This product is designed for use in indoor air quality control systems, including variable air volume systems and demand controlled ventilation systems. Please consult Figaro prior to use of this product in other applications. This product is not designed and authorized for use as a critical component in life support applications wherein a failure or malfunction of the products may result in injury or threat to life.*

*Figaro Engineering Inc. reserves the right to make changes without notice to this product to improve reliability, functioning or design.*

CDM7160 individually wrapped with bubble sheet



Quantity per inner box: 50 pcs. (25 pcs. x 2 layers)



Quantity per carton box: 500 pcs. (50 pcs. x 10 inner boxes)

Fig. 15 - Packing of CDM7160

**Figaro USA Inc.**  
 121 S. Wilke Rd. Suite 300  
 Arlington Heights, IL 60005 USA  
 Tel.: (1) 847-832-1701  
 Fax.: (1) 847-832-1705  
 email: figarousa@figarosensor.com  
 www.figarosensor.com

**Figaro Engineering Inc.**  
 1-5-11 Senba-nishi  
 Mino, Osaka 562-8505 JAPAN  
 Tel.: (81) 72-728-2561  
 Fax: (81) 72-728-0467  
 email: figaro@figaro.co.jp  
 www.figaro.co.jp