

BOLYMIN

**SPECIFICATIONS FOR
CONNECTOR**

MODEL NO.
CT0411TZ01\$
VER.01



FOR MESSRS:

ON DATE OF:

APPROVED BY:

BOLYMIN, INC.

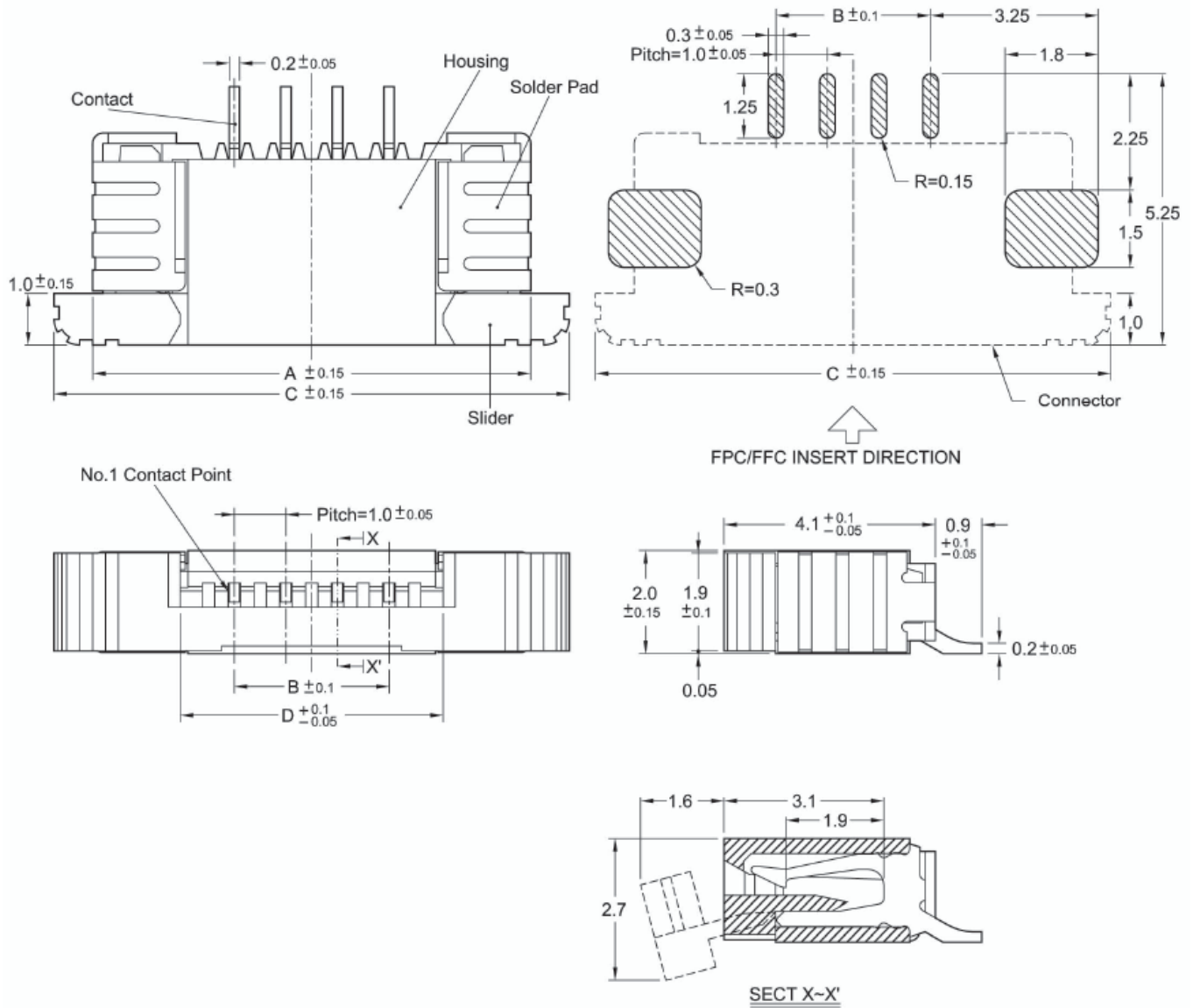
5F, No. 38, Keya Rd., Daya Dist., Central Taiwan Science Park, Taichung City, 42881, Taiwan.

Web Site:<http://www.bolymin.com.tw> **TEL:+886-4-25658689 FAX:+886-4-25658698**

History of Version

Version	Contents	Date	Note
01	NEW VERSION	2016/10/12	SPEC.

■ PCB Layout



No. of contacts	DIM. A	DIM. B	DIM. C	DIM. D
04	8.5	3.0	10.0	5.1