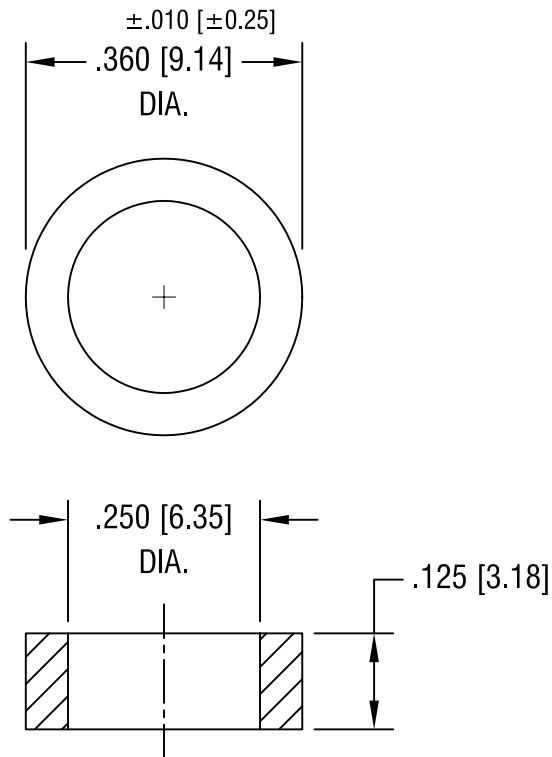


THIS DOCUMENT IS THE PROPERTY OF
KEYSTONE ELECTRONICS CORP. AND
SHALL NOT BE REPRODUCED, DISTRIBUTED
OR USED AS A BASIS FOR MANUFACTURE
WITHOUT PRIOR WRITTEN PERMISSION
FROM KEYSTONE ELECTRONICS CORP.



KEYSTONE ELECTRONICS CORP.			
ASTORIA, N.Y. 11105-2017			
PART NAME			
SPACER			
MATERIAL			
WHITE NYLON			
FINISH		DRN BY	DATE
-		BOONE	4.28.88
		APPD	SCALE
			4X
TOLERANCES	INCH [MM]	CODE	DWG NO.
DECIMAL	$\pm .005$ [± 0.15]	C/M	8692
ANGULAR	$\pm 1^\circ$		
UNLESS OTHERWISE SPECIFIED			

2.19.97	CHANGE AS PER ECR 97-009	A
DATE	DESCRIPTION	REV.