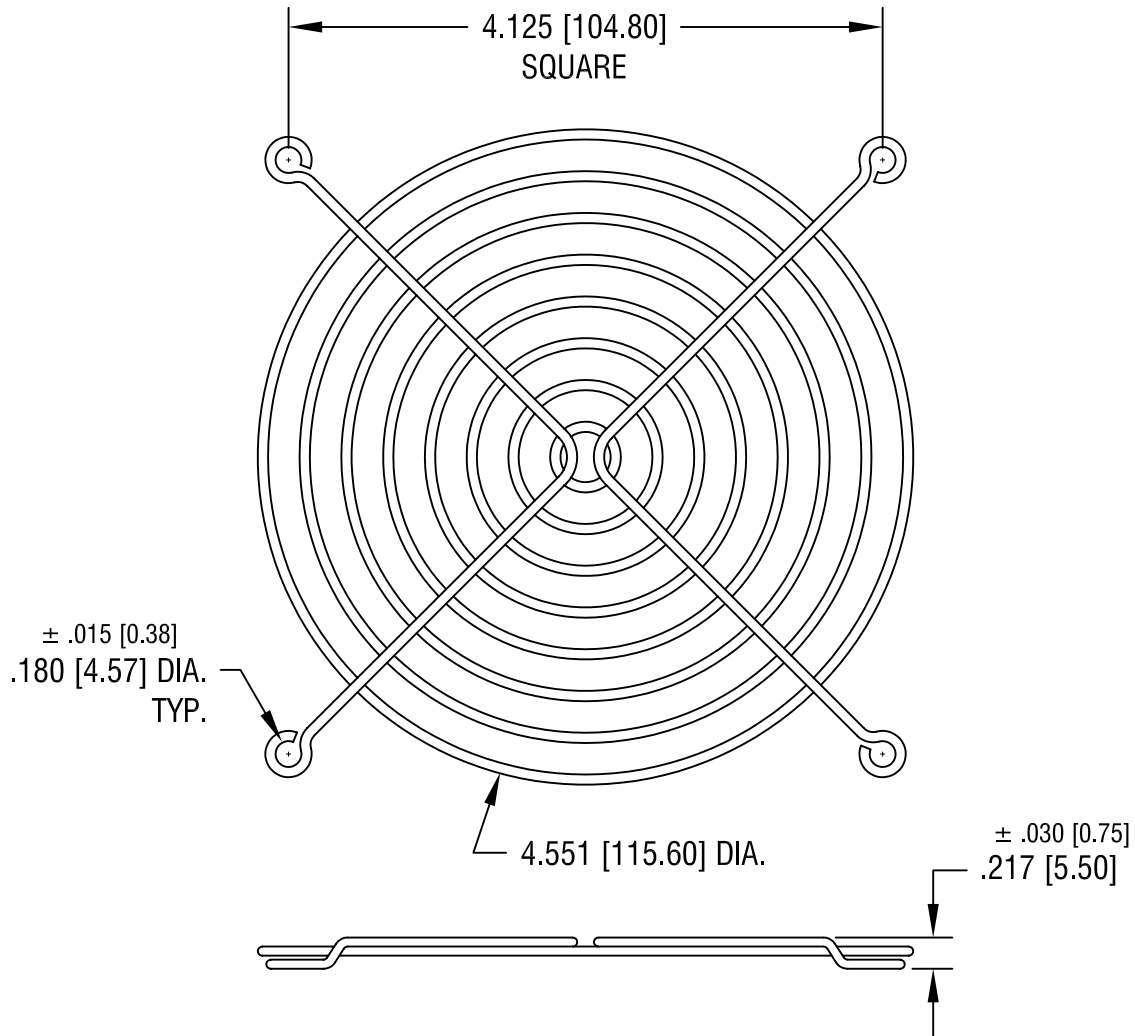


THIS DOCUMENT IS THE PROPERTY OF  
KEYSTONE ELECTRONICS CORP. AND  
SHALL NOT BE REPRODUCED, DISTRIBUTED  
OR USED AS A BASIS FOR MANUFACTURE  
WITHOUT PRIOR WRITTEN PERMISSION  
FROM KEYSTONE ELECTRONICS CORP.



NOTES:

- 1. RINGS: .071 [1.80] DIA.  
RIBS: .071 [1.80] DIA.
- 2. FINISH - NICKEL CHROME PLATE

<b>KEYSTONE ELECTRONICS CORP.</b>			
ASTORIA, N.Y. 11105-2017			
PART NAME			
FAN/FINGER GUARD (120MM)			
MATERIAL			
STEEL			
FINISH		DRN BY	DATE
AS NOTED		BOONE	3.5.91
		APP'D	SCALE
		LN	.75X
TOLERANCES	INCH [MM]	CODE	DWG NO.
DECIMAL	± .020 [± 0.50]	C/M	<b>8453</b>
ANGULAR	± 1°		
UNLESS OTHERWISE SPECIFIED			

3.27.95	REVISED	A
DATE	DESCRIPTION	REV.