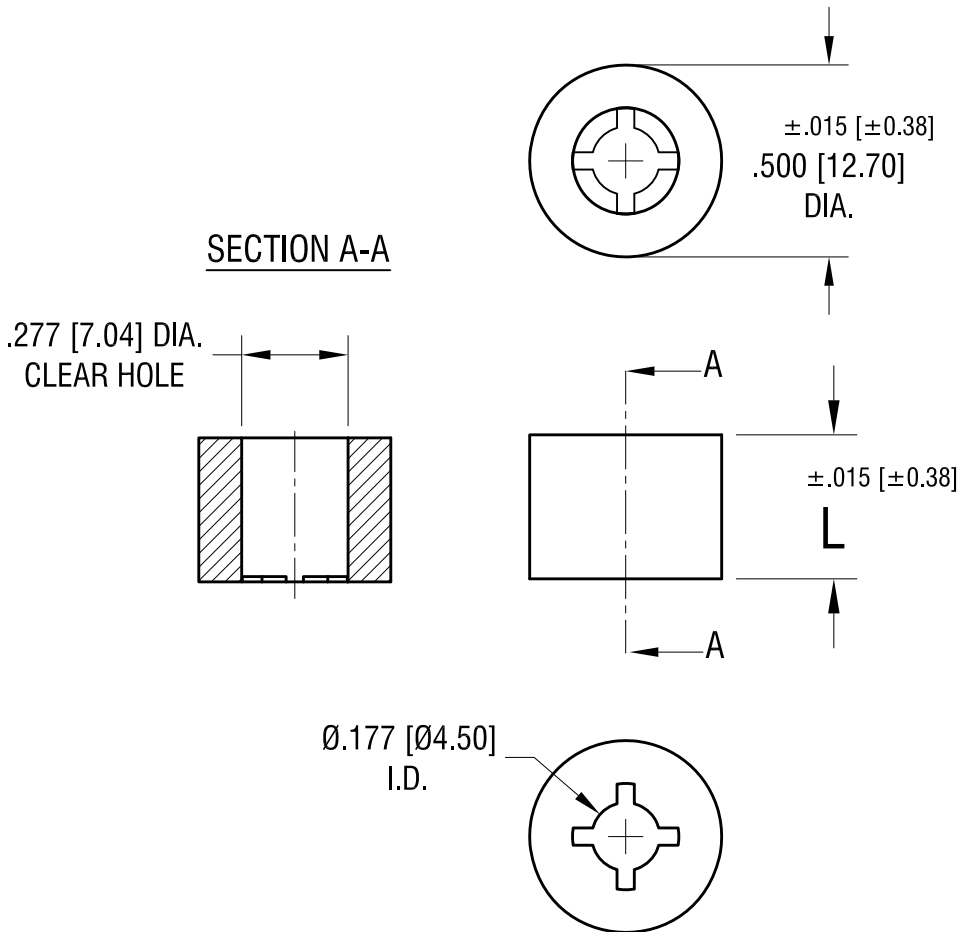
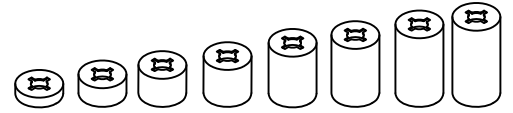


THIS DOCUMENT IS THE PROPERTY OF
KEYSTONE ELECTRONICS CORP. AND
SHALL NOT BE REPRODUCED, DISTRIBUTED
OR USED AS A BASIS FOR MANUFACTURE
WITHOUT PRIOR WRITTEN PERMISSION
FROM KEYSTONE ELECTRONICS CORP.

ACTUAL SIZE



| PART NO. | 'L' DIM. |
|----------|--------------|
| 2391 | .125 [3.17] |
| 2392 | .250 [6.35] |
| 2393 | .375 [9.52] |
| 2394 | .500 [12.70] |
| 2395 | .625 [15.87] |
| 2396 | .750 [19.04] |
| 2397 | .875 [22.21] |
| 2398 | 1.00 [25.40] |

KEYSTONE ELECTRONICS CORP.

www.keyelco.com • ASTORIA, N.Y. 11105-2017 • Tel (718) 956-8900

| | | | |
|----------------------------|-----------------|-----------------------|-----------|
| PART NAME | | # 10 RETAINING SPACER | |
| MATERIAL | | NYLON 6/6 | |
| FINISH | - | DRN BY | NT |
| | | APP'D | LN |
| | | DATE | 3.15.11 |
| | | SCALE | 2X |
| TOLERANCES | INCH [MM] | CODE | DWG NO. |
| DECIMAL | ± .005 [± 0.13] | C/M | 2391-2398 |
| ANGULAR | ± 1° | | |
| UNLESS OTHERWISE SPECIFIED | | | |

12.20.12 CHANGE AS PER ECN 12-161

A

DATE DESCRIPTION

REV.