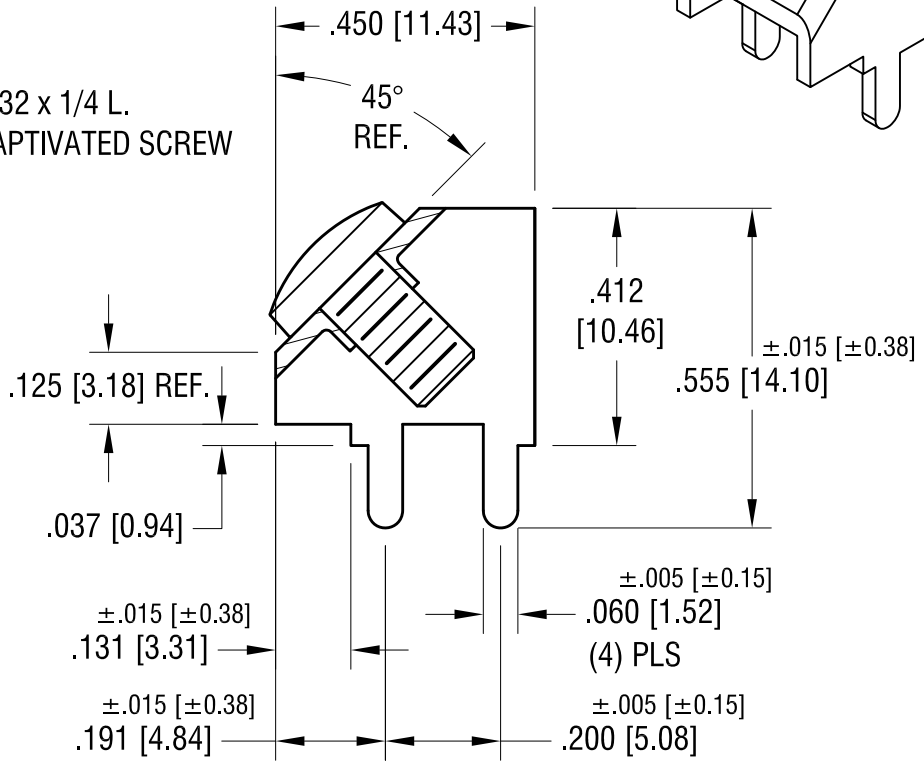
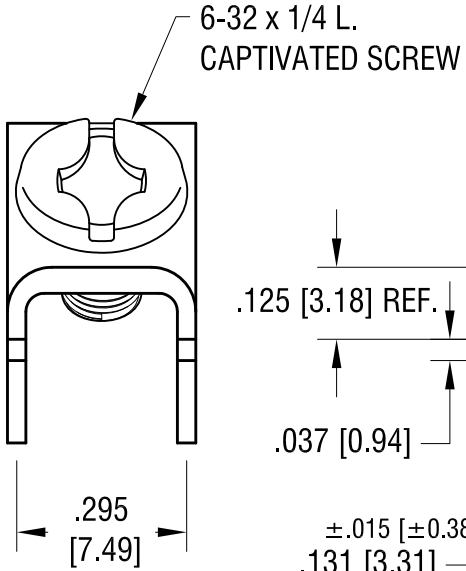
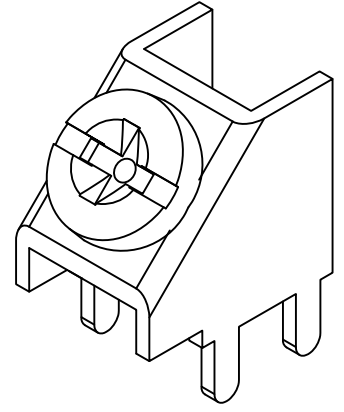
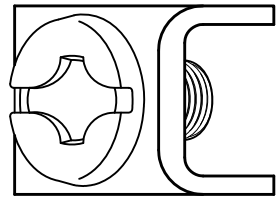
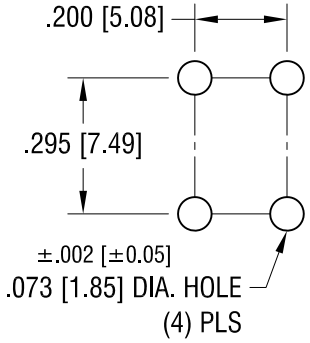


THIS DOCUMENT IS THE PROPERTY OF KEYSTONE ELECTRONICS CORP. AND SHALL NOT BE REPRODUCED, DISTRIBUTED OR USED AS A BASIS FOR MANUFACTURE WITHOUT PRIOR WRITTEN PERMISSION FROM KEYSTONE ELECTRONICS CORP.

**MOUNTING DETAIL**



**PC SCREW TERMINAL WITH COLORED SCREW HEAD**

PART NO.	HEAD COLOR	PART NO.	HEAD COLOR
7702-2	RED	7702-5	BLUE
7702-3	BLACK	7702-6	GREEN
7702-4	WHITE	7702-7	YELLOW

**NOTES:**

- 1. TERMINAL:  
MAT'L - .032 [0.81] TH'K BRASS, MATTE TIN PLATE
- SCREW:  
MAT'L - BRASS, NICKEL PLATE

DATE	DESCRIPTION	REV.
7.14.09	CHANGE AS PER ECN 09-100	B
1.7.08	CHANGE AS PER ECN 08-035	A

**KEYSTONE ELECTRONICS CORP.**  
 www.keyelco.com • ASTORIA, N.Y. 11105-2017 • Tel (718) 956-8900

PART NAME  
**45° PC SCREW TERM. W/ COLORED SCREW HEAD**

MATERIAL  
**AS NOTED**

FINISH <b>AS NOTED</b>	DRN BY	BOONE	DATE	10.1.03
	APP'D	LN	SCALE	3X

TOLERANCES INCH [MM]  
 DECIMAL ±.010 [±0.25]  
 ANGULAR ± 1°  
 UNLESS OTHERWISE SPECIFIED

CODE  
**C**

DWG NO.  
**7702-2 - 7702-7**