



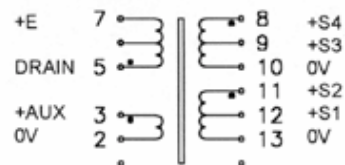
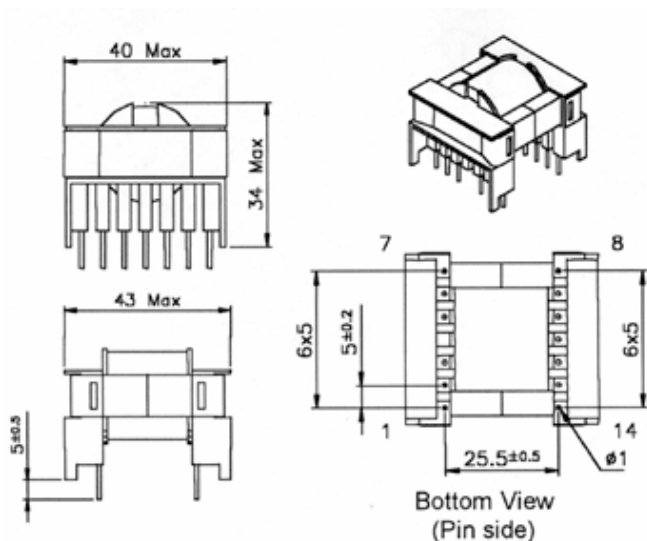
Control IC Manufacturer	Control IC P/N	Input voltage	Power	Frequency
Infineon	TDA16834	185 - 265 Vrms	80 w	100 kHz
Infineon	TDA16836	85 - 265 Vrms	60 w	100 kHz
Motorola	MC33373	185 - 265 Vrms	80 w	100 kHz
Motorola	MC33373	85 - 265 Vrms	60 w	100 kHz
Power Integrations	TOP246Y	185 - 265 Vrms	90 w	132 kHz
Power Integrations	TOP246Y	85 - 265 Vrms	60 w	66 or 132 kHz
ST Microelectronics	VIPer100A	185 - 265 Vrms	80 w	70 kHz
ST Microelectronics	VIPer100A	85 - 265 Vrms	60 w	70 kHz

SIZE ETD29 - 4 OUTPUTS : 5 + 12/5 + 12v - FLYBACK TRANSFORMER							
MYRRA Part N°	Output Power max	Windings					
			Pins	Turns	Voltage	Current max	Inductance (+/-10%)
74050	90w	Pri	5 - 7	36	65 - 125 (VOR)	2.8 Apeak	500µH
		Aux	3 - 2	4	7 - 14 Vdc	0.5 Adc	
		S1	12 - 13	2	3.3 - 6.5	5 Adc	
		S2	11 - 13	5	8.5 - 17 Vdc	3 Adc	
		S3	9 - 10	2	3.3 - 6.5	5 Adc	
		S4	8 - 10	5	8.5 - 17 Vdc	3 Adc	

Note : S1/S3 or S2/S4 can be connected in series or in parallel

[View the schema](#)

- Primary / Secondary Insulation $\geq 4000V$
- Primary Auxiliary Insulation $\geq 1500V$
- Creepage distances Primary / secondary $\geq 8mm$
- Ambient temperature $< 50^{\circ}C$
- Construction conforms to CEI950, CEI335, CEI61558 for reinforced insulation
- Exclusively uses UL94-VO listed materials



PIN 4 Removed
PCB Drilling Diameter = 1.5mm