

TEP-0500-IMX6UL



Main Features

- TEP0500-IMX6UL is an ultra-efficient, low power, fanless HMI based on a single core ARM Cortex-A7 NXP i.MX6UL applications processor.
- 5 inch Projective Capacitive (multitouch) high resolution (800 x 480), bright (300 nits) widescreen LCD with LED backlight.
- 2x CAN Bus and 4x Serial RS-232 ports.
- USB 2.0 Host, USB 2.0 OTG, microSD cardslot and 12x GPIO.
- Customizable to fit your application.
- Available with brushed aluminum bezel.

Specifications



Core System

Processor	NXP i.MX6 UL
Processor Speed	528MHz
Architecture	ARM Cortex-A7
PMIC	NXP PF3000
Memory	up to 1GB DDR3L
Storage	eMMC (4GB Default)

Connectivity

Network LAN	2x Micrel KSZ8081RNBCA Fast Ethernet LAN
Power over Ethernet	PoE function 802.3at (optional)

External Connectors

Network	2x RJ45
USB	1x USB 2.0 Host 1x USB 2.0 OTG (Type-C)
CAN Bus	2x Flex CAN version 2.0B compliant
Serial	4x RS-232
GPIO	12x GPIO
Buttons	1x Boot Select 1x Reset
SD Cardslot	1x microSD cardslot

Display

LCD	5 inch widescreen LCD with LED backlight
Resolution	800 x 480 pixels
Luminance	300 cd/m ²
Maximum Colors	16.7 million
Touchscreen	Projective Capacitive (multitouch)

Power Specifications

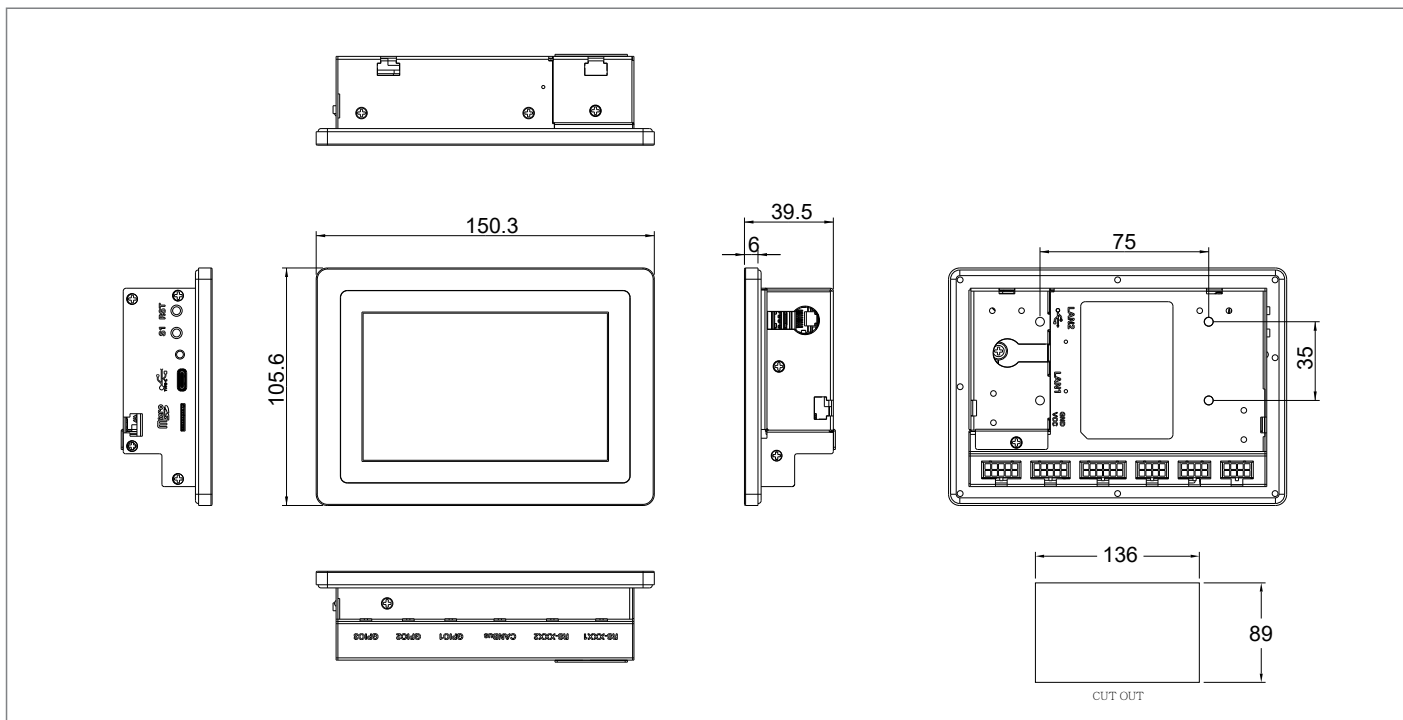
Power Input	Available with 12V 24V 8-36V (wide power input)
Power Over Ethernet	PoE function 802.3at (optional)
Power Connector	2-pin Micro-Fit 3.0
Power Consumption	Depending on Configuration

Operation Systems

Standard Support	Linux Yocto Ubuntu
Extended Support	Commercial Linux

Dimensions

(units in mm)



Environmental and Mechanical

Enclosure Material	Metal
Front Bezel	Brushed Anodized Aluminium
IP Rating	IP65 Front
Dimensions	150 (W) x 105 (H) x 39 (D) mm
Weight	550 grams
Temperature	Commercial: 0° to +50° C
Relative Humidity	10 to 90 %
MTBF	50 000 Hours
Shock	15G half-sine 11 ms duration
Vibration	1 Grms random 5-500Hz hr/axis
Certification	Compliant with CE / FCC / RoHS / REACH directives

Modular Expansion Options

Power Expansion Module	TXR-P1-12V-LAN1 (12V 3A) TXR-P1-24V-LAN1 (24V 3A) TXR-P1-1030V-LAN1 (8-36V 5A) TXR-P1-12V-POE1 (12V 3A) or (PoE 802.3at)
------------------------	---

Mounting Options

Rear Mounting	4 mounting clips required (included)
VESA Mounting	35*75 VESA MIS C. Standard (separate purchase)
Surface Mounting	8 mounting holes

Ordering Information

TEP0500-IMX6G-05-Rxx-Exx-Lxxx-xxxx

	Code	Description
Processor	IMX6G	NXP i.MX6UltraLite
Processor Speed	05	528MHz
Memory	R02	256MB DDR3L
	R05	512MB DDR3L
	R10	1GB DDR3L
Storage	E04	eMMC capacity in Gigabytes
		E04 = 4GB / E08 = 8GB / E16 = 16GB
		E32 = 32GB / E64 = 64GB /
Power Expansion	L112	TXR-P1-12V-LAN1 (12V 3A)
	L124	TXR-P1-24V-LAN1 (24V 3A)
	L130	TXR-P1-1030V-LAN1 (8-36V 5A)
	LPOE	TXR-P1-12V-POE1 (12V 3A) or (PoE 802.3at)
Custom ID	XXXX	Custom Part number ID for customized Software loader and special component (BOM)

* Feel free to contact us for customization requests.