

THIS DRAWING IS UNCLASSIFIED  
 © COPYRIGHT BY W. ALL RIGHTS RESERVED

REV. NO.		REVISIONS		DATE	BY	APP'D
P	LR	DESCRIPTION	DATE	BY	SM	SM
A	1	FIRST VERSION				

NOTES :

- △ MATERIALS AND FINISH:  
 - HOUSING: PA66  
 - CONTACTS: COPPER ALLOY, FINISH: TIN OVER NICKEL UNDERPLATE  
 - SPRING: STAINLESS STRIP STEEL

2. MUST COMPLY WITH DIRECTIVE 2002/95/EC (ROHS)

3. WIRE TYPES AND SIZES ACCEPTED  
 WIRE RANGE: 20AWG~26AWG.  
 STRIP LENGTH: 9.5mm~10.5mm

4. PACKAGED IN TRAY.

5. CURRENT RATING: 6Amp AC150V.

6. OPERATION TEMPERATURE: -40°C TO +105°C

P/N: \*-2834015-\*

COLOR CODE: \_\_\_\_\_

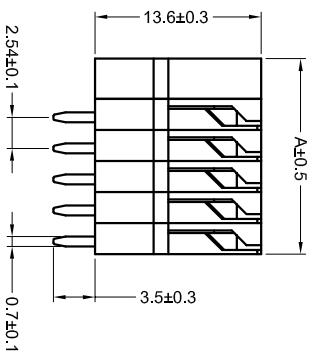
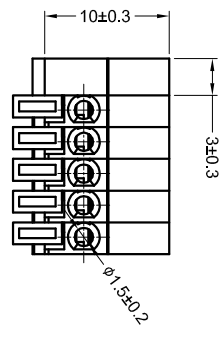
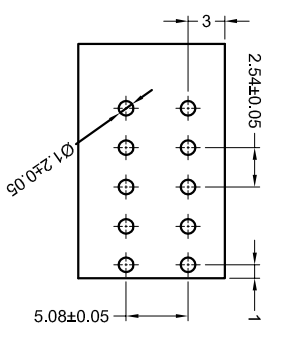
PIN No: \_\_\_\_\_

SERIES CODE

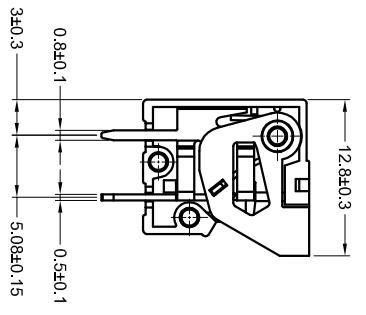
- |          |          |
|----------|----------|
| 1=GREEN  | 2=2 POSN |
| 2=BLUE   | 3=3 POSN |
| 3=BROWN  | 4=4 POSN |
| 4=ORANGE | 5=5 POSN |
| 5=GREY   | 6=6 POSN |
| 6=RED    | 7=7 POSN |
| 7=YELLOW | 8=8 POSN |
| 8=PURPLE | 9=WHITE  |
| 9=WHITE  | 0=BLACK  |

REMARK: THE DIFFERENT COLORS COULD BE COMBINED TO THE NEW CONNECTOR P/NS FOR CUSTOMER REQUEST.

PCB Layout



DETAIL INNER



23.32	8 POSN	NO. OF POSITIONS
20.78	7 POSN	
18.24	6 POSN	
15.70	5 POSN	
13.16	4 POSN	
10.62	3 POSN	A
8.08	2 POSN	

THIS DRAWING IS A CONTROLLED DOCUMENT.

DESIGNER	CHK	DATE	REV
SHI XIANG	GEORGE E. TZANZOTIS	14JAN2015	A
DATE	REV	BY	APP'D
108-137079	114-137079		
VERSION	CUSTOMER DRAWING		

2.54mm Pitch Modular Screwless Conn.

SCALE: 1:1

SIZE: A2

00779

2834015

SCALE: 1:1

SHEET: 1 OF 1

REV: A



TE Connectivity