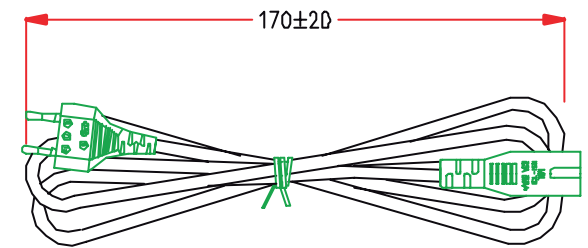
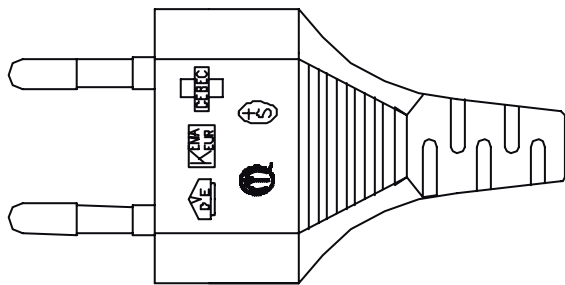
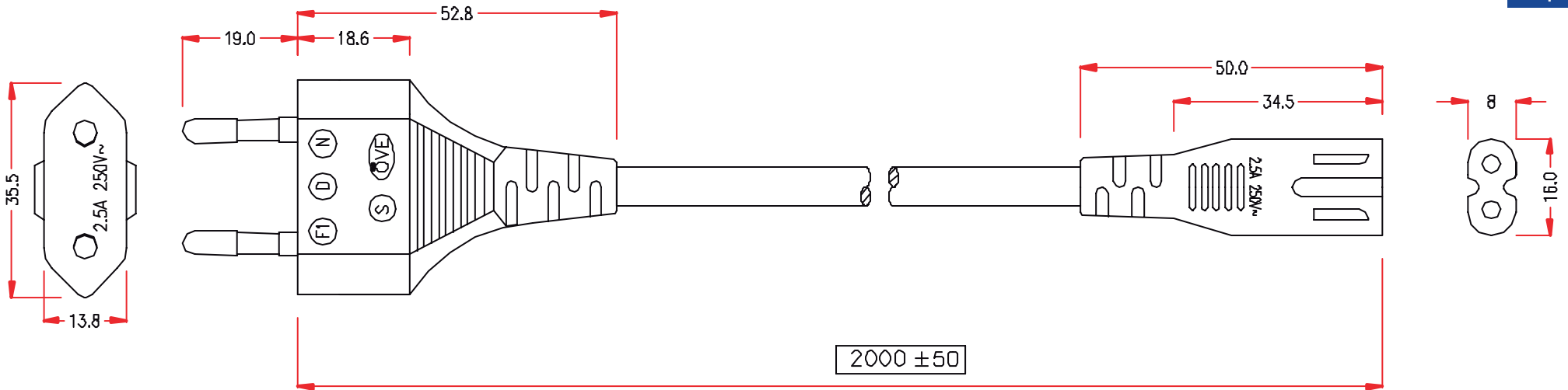


EN200



NOTES:
1.PLUG

2.CONNECTOR

3.POWER WIRE: H03WH2-F/0.75mm²*2C , LENGTH=2M

LENGTH: 2M

COLOR: BLACK

4.APPROVED:          

UNLESS SPECIFIED	OTHERWISE TOLERANCES
0,	±1.0
.0	±0.5
.00	±0.3

UNIT: mm