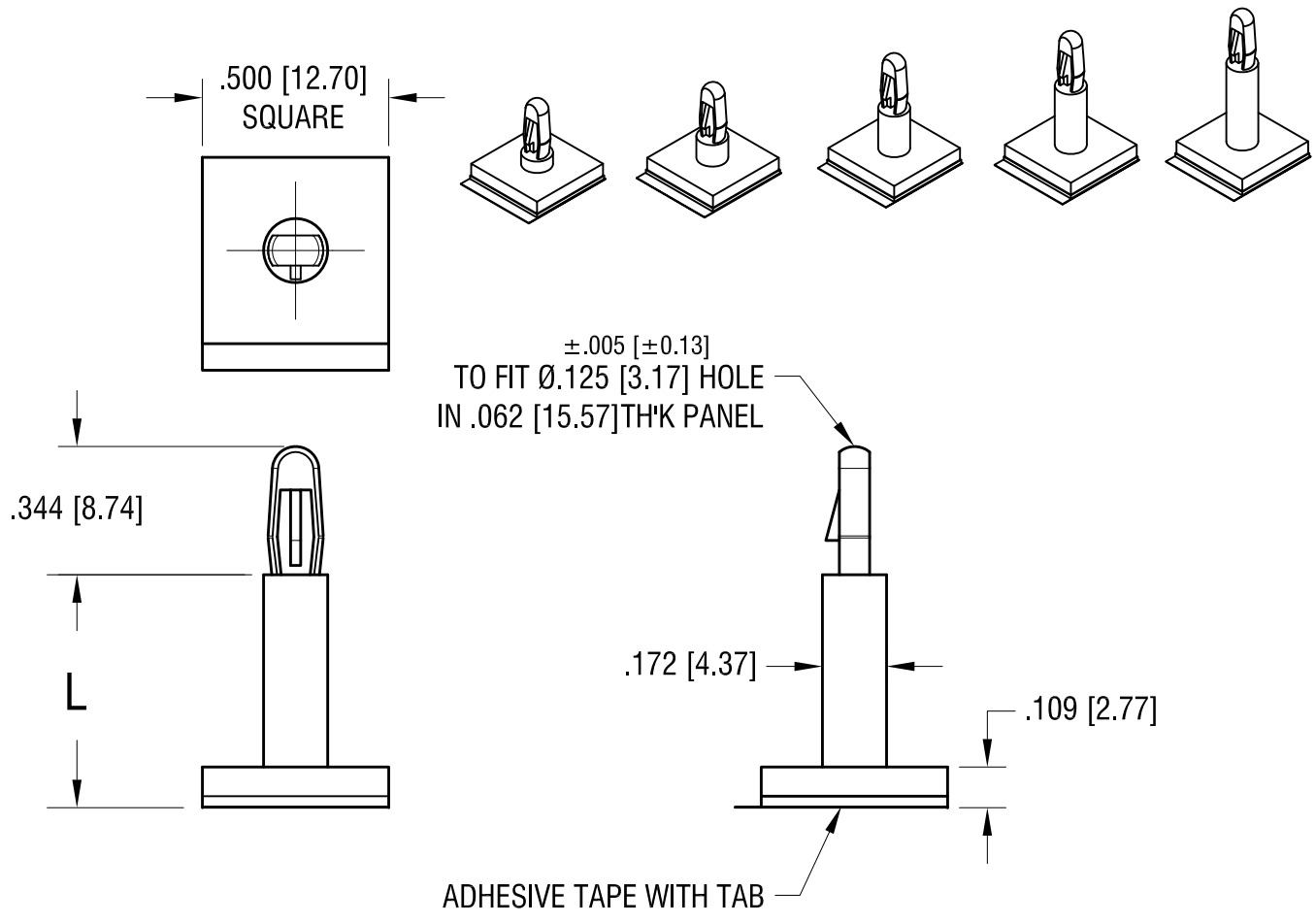


THIS DOCUMENT IS THE PROPERTY OF KEYSTONE ELECTRONICS CORP. AND SHALL NOT BE REPRODUCED, DISTRIBUTED OR USED AS A BASIS FOR MANUFACTURE WITHOUT PRIOR WRITTEN PERMISSION FROM KEYSTONE ELECTRONICS CORP.



PART NO.	'L' DIM.
9070	.187 [4.74]
9071	.250 [6.35]
9072	.375 [9.52]
9073	.500 [12.70]
9074	.625 [15.87]

KEYSTONE ELECTRONICS CORP.
 www.keyelco.com • ASTORIA, N.Y. 11105-2017 • Tel (718) 956-8900

PART NAME: SPACER-SUPPORT

MATERIAL: NYLON 6/6-VO

FINISH: -

DRN BY: NT DATE: 3.21.11

APP'D: LN SCALE: 2X

TOLERANCES INCH [MM]: DECIMAL ±.015 [±0.38]

ANGULAR ± 1° UNLESS OTHERWISE SPECIFIED

CODE: C/M

DWG NO.: 9070 -9074

1.12.12	CHANGE AS PER ECN 12-005	A
DATE	DESCRIPTION	REV.