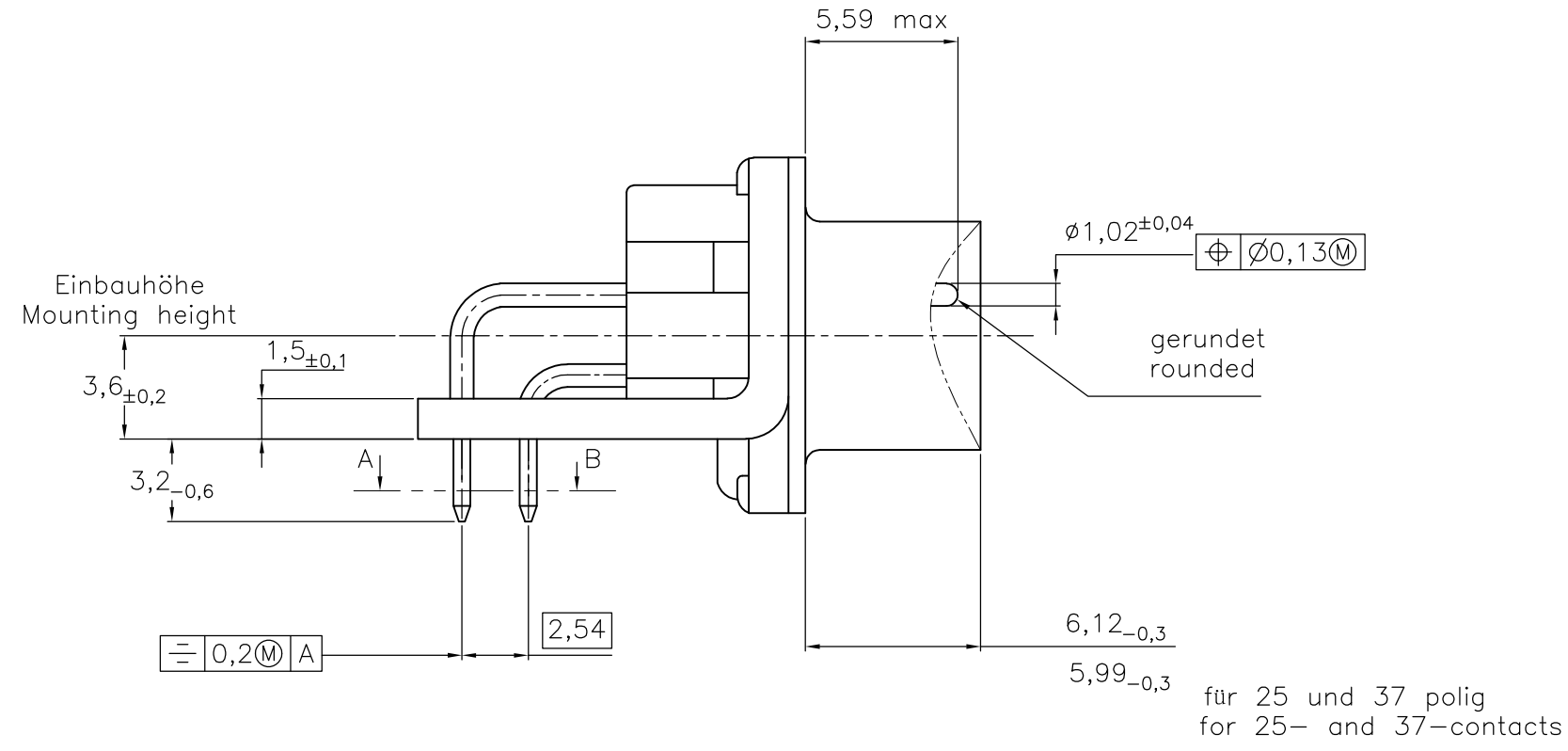
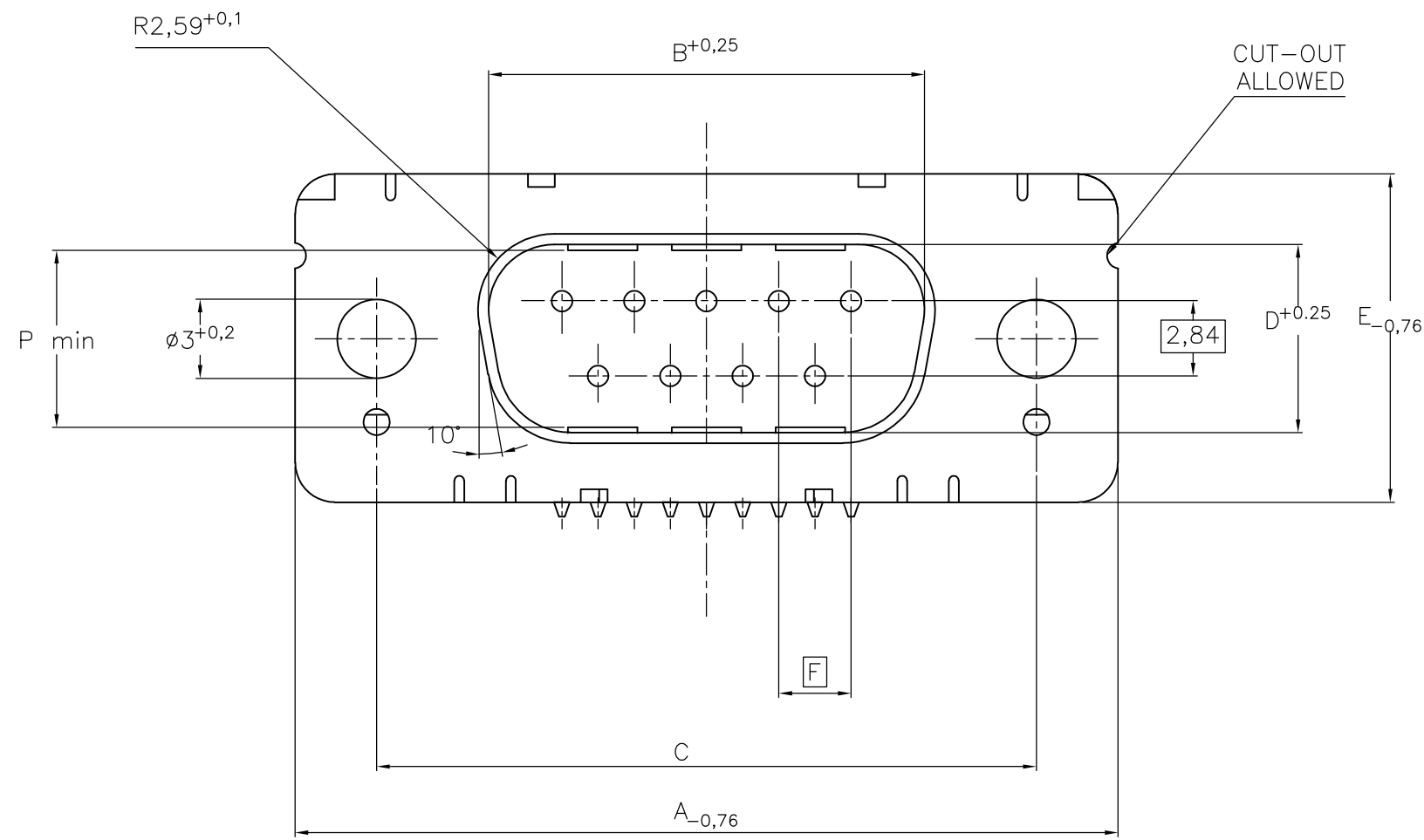
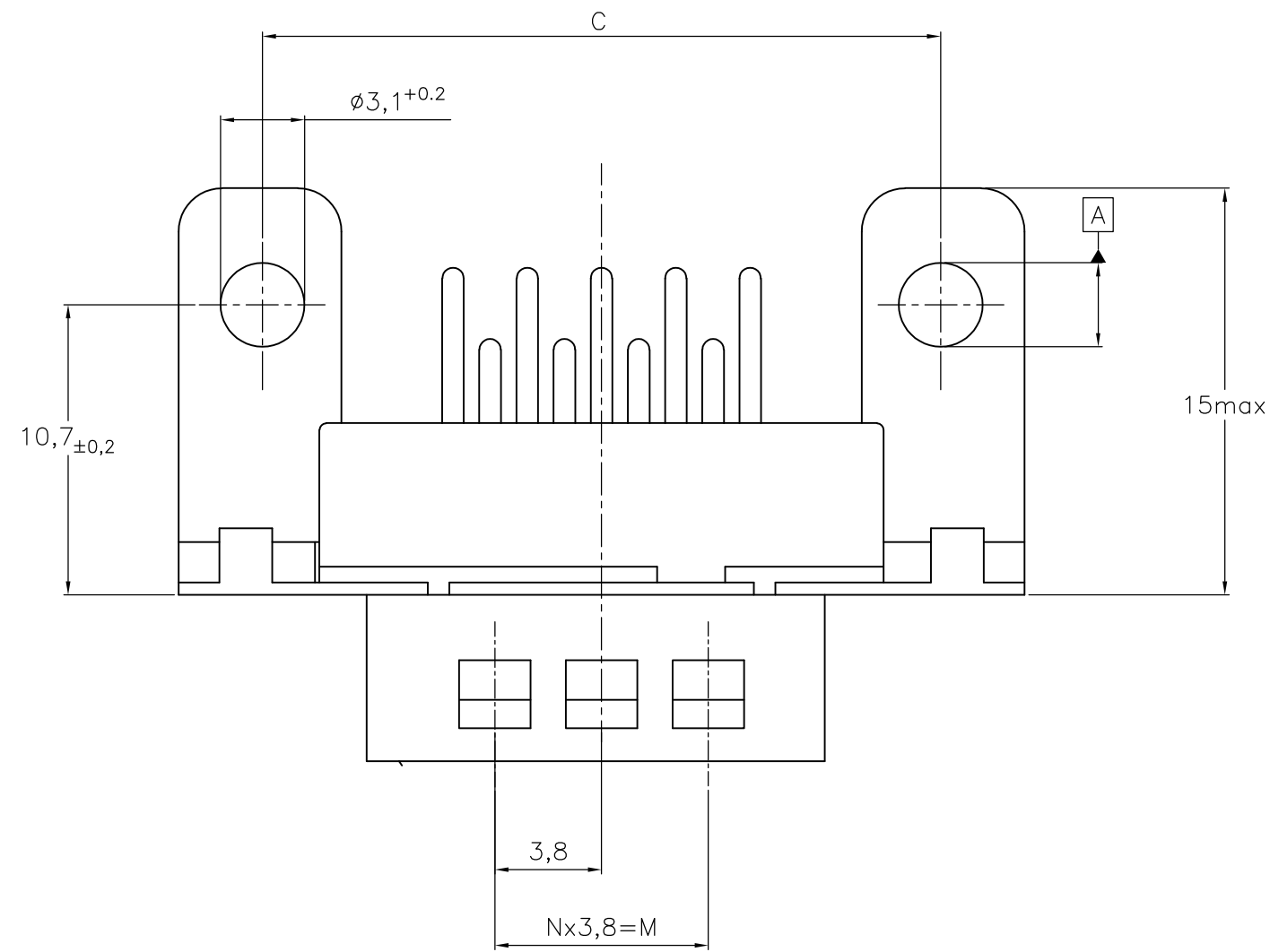
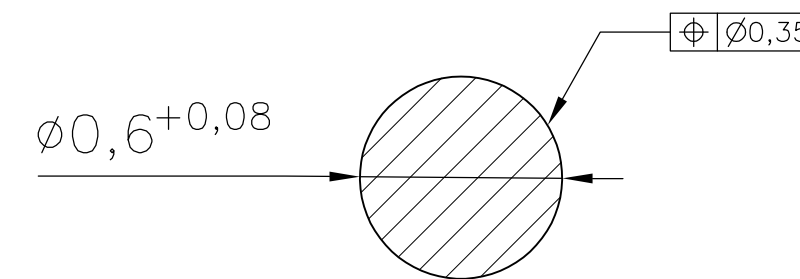


LOC	DIST	REVISIONS					
GP	00	P	LTR	DESCRIPTION	DATE	DWN	APVD
		D		REVISED PER ECO-15-007873	18JUN2015	AP	SB

Standardausführung: V23529-Bx121-Cxxx-+
 Standardversion



Schnitt AB des Lötanschlusses
 Cross-section AB of solderpin
 (20:1)



Ordercode Sachnr	Contacts Polzahl	Mass/Dimension									
		A	B	C	D	E	F	M	N	P	
..-Cx09-+	09	31,19	16,79	25,0 $\begin{smallmatrix} +0,12 \\ -0,13 \end{smallmatrix}$	8,23	12,93	2,74	7,6	2	7,72	
..-Cx15-+	15	39,52	25,12	33,3 $\begin{smallmatrix} +0,15 \\ -0,1 \end{smallmatrix}$	8,23	12,93	2,74	15,2	4	7,69	
..-Cx25-+	25	53,42	38,84	47,04 $\begin{smallmatrix} +0,13 \\ -0,13 \end{smallmatrix}$	8,23	12,93	2,76	26,6	7	7,65	
..-Cx37-+	37	69,7	55,30	63,5 $\begin{smallmatrix} +0,13 \\ -0,13 \end{smallmatrix}$	8,23	12,93	2,76	41,8	11	7,65	

1) Anforderungsstufe/Performance level

OLD PN: V23529-B****-C***-*-7427

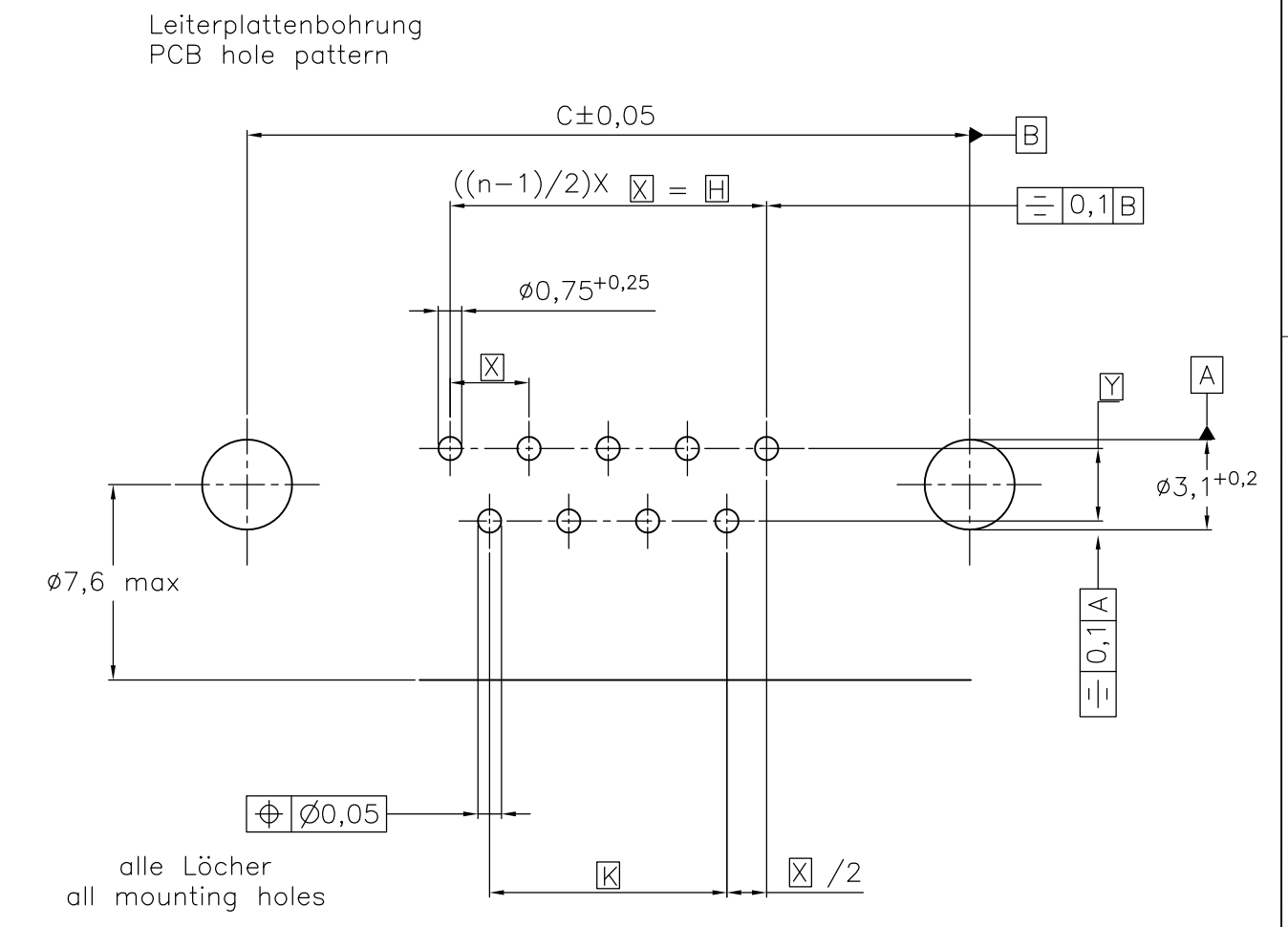
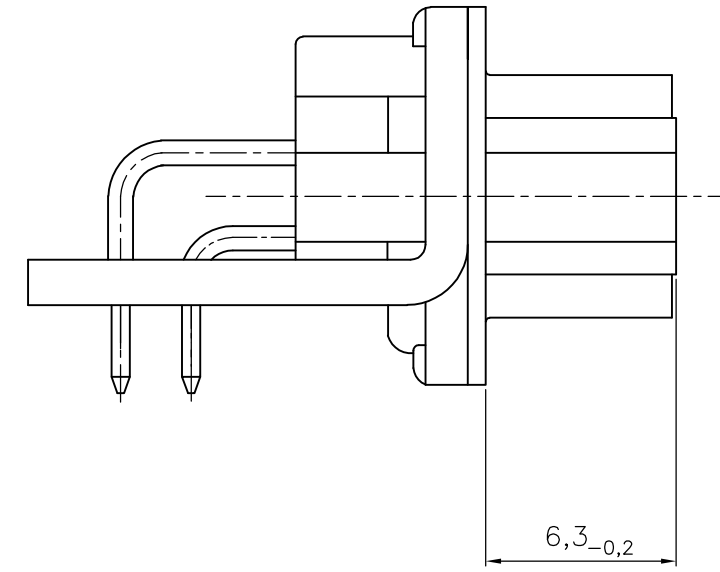
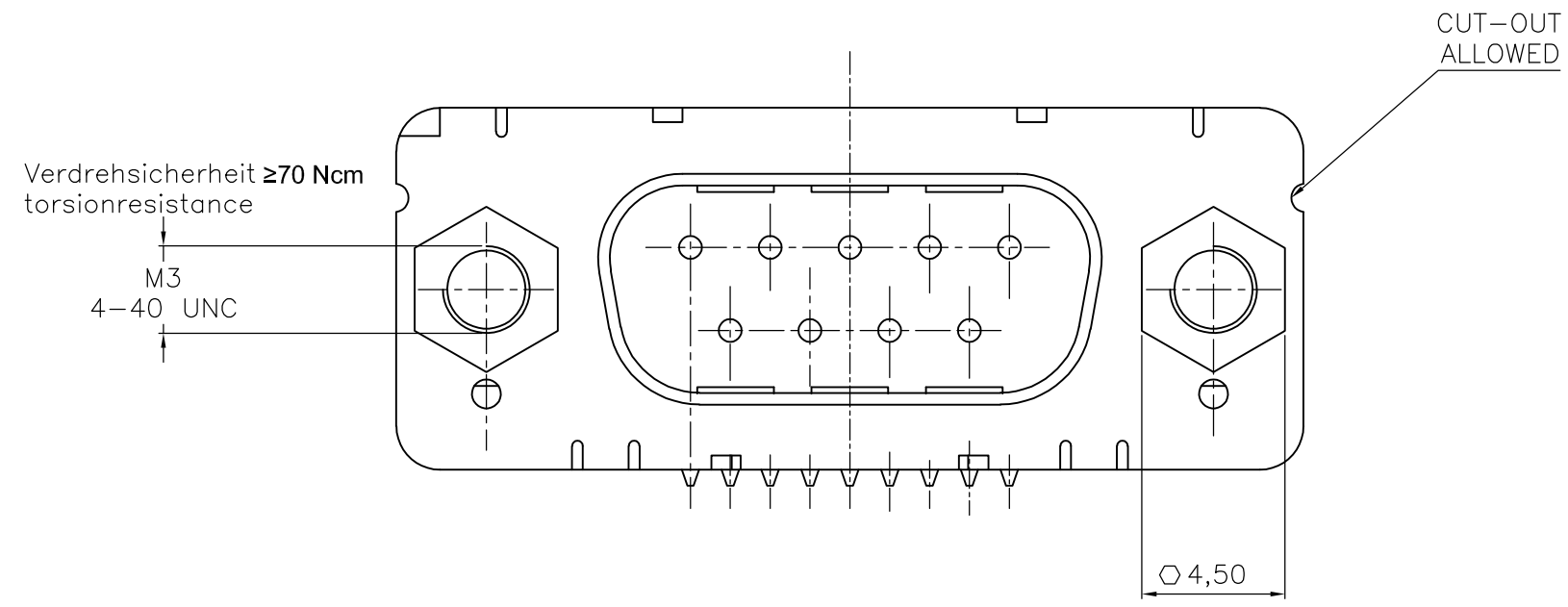
1) nach DIN 41652 T.2 und T.4
 according to DIN 41652 T.2 and T.4

THIS DRAWING IS A CONTROLLED DOCUMENT. DIMENSIONING AND TOLERANCING PER ASME Y14.5M-2009		DWN GNANI JADAV A E	07JAN10				
DIMENSIONS: mm		CHK K.MALCZYK	-				
TOLERANCES UNLESS OTHERWISE SPECIFIED:		APVD K.MALCZYK	-	NAME Sub-D 90° Lötansführung Stiftleiste Einbauhöhe 3,6 mm D-Sub 90°solder version Pin connector mounting height 3,6 mm			
0 PLC ± - 1 PLC ± - 2 PLC ± - 3 PLC ± - 4 PLC ± - ANGLES ± -		PRODUCT SPEC	-	SIZE	CAGE CODE	DRAWING NO	RESTRICTED TO
MATERIAL		FINISH	-	A2	00779	C=2-1393480-1	-
		WEIGHT	-	CUSTOMER DRAWING		SCALE 2:1	SHEET 1 of 6
						REV D	

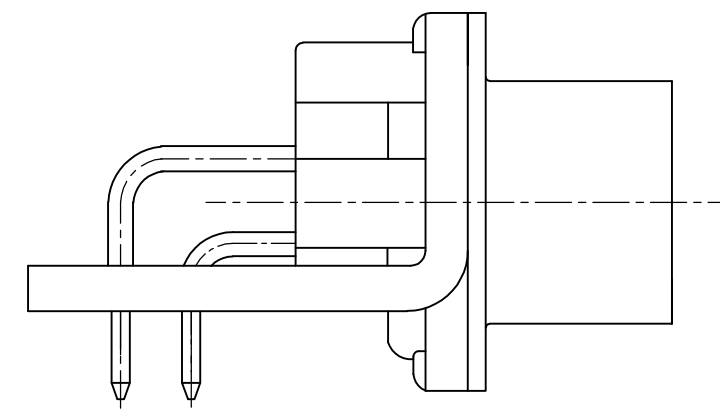
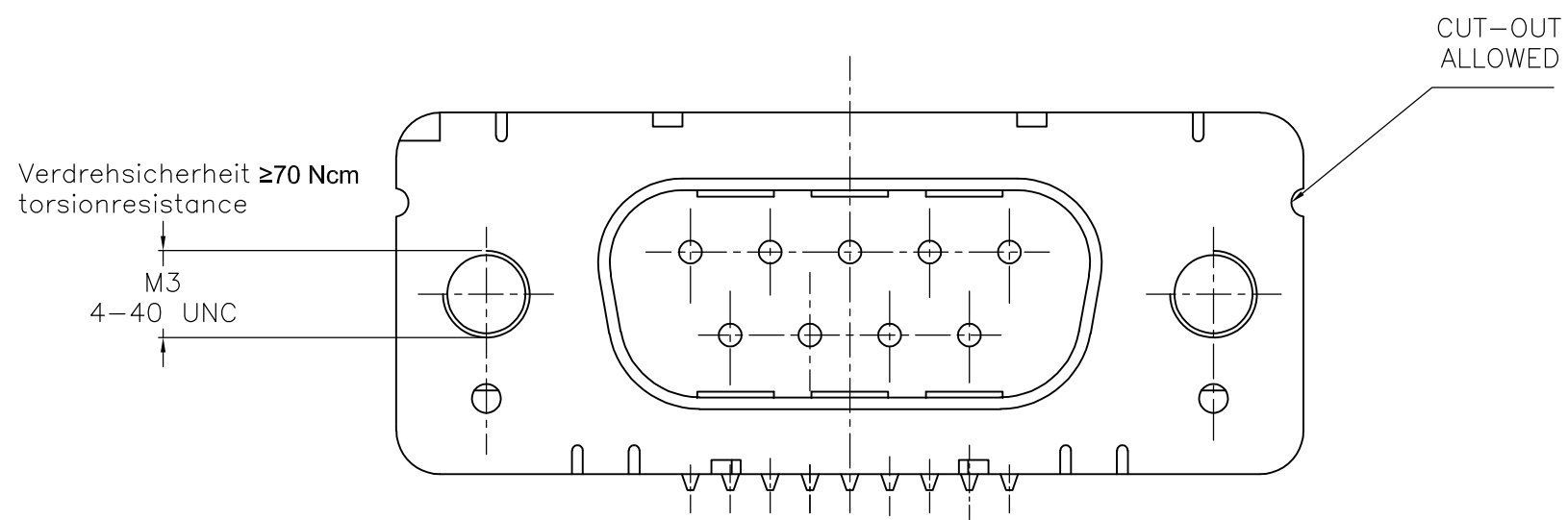
THIS DRAWING IS UNPUBLISHED. RELEASED FOR PUBLICATION
 © COPYRIGHT - By - ALL RIGHTS RESERVED.

LOC	DIST	REVISIONS					
GP	00	P	LTR	DESCRIPTION	DATE	DWN	APVD
		-	-	SEE SHEET 1	-	-	-

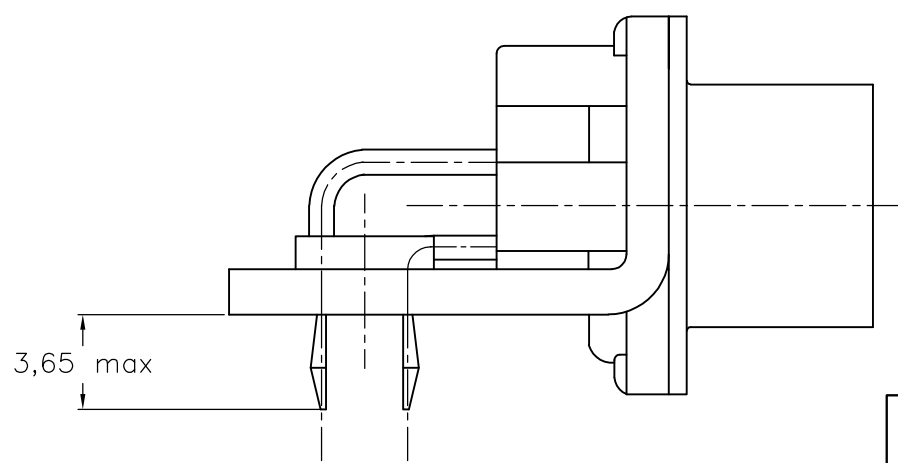
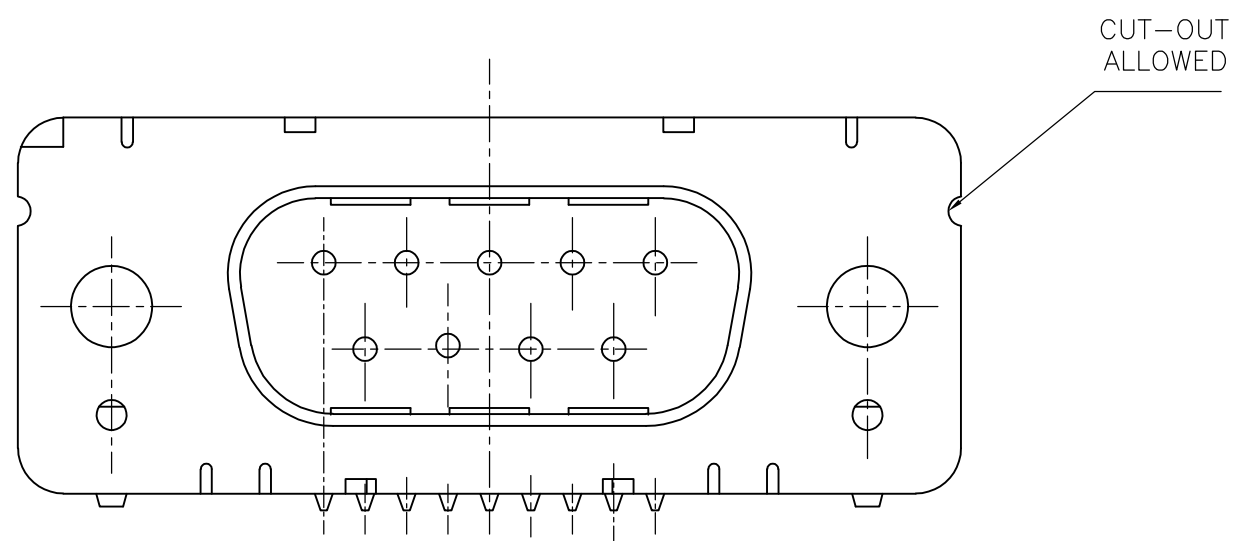
mit Gewindebolzen: M3 V23529-Bxx24-Cxxx-+
 with thread lock 4-40 UNC V23529-Bxx25-Cxxx-+



mit Gewinde: M3 V23529-Bxx22-Cxxx-+
 with thread 4-40 UNC V23529-Bxx23-Cxxx-+



mit Clipbefestigung: V23529-Bx22x-Cxxx-+
 with snap-in



Mass Dimension	Polzahl n Number of contacts n			
	9	15	25	37
C	25	33,3	47,04	63,5
H	10,96	19,18	33,12	49,68
K	8,22	16,44	30,36	46,92
X	2,74	2,74	2,76	2,76
Y	2,54			

1) nach DIN 41652 T,2 UND T,4
 according to DIN 41652 p,2 AND p,4

OLD PN: V23529-B****-C***-*-7427

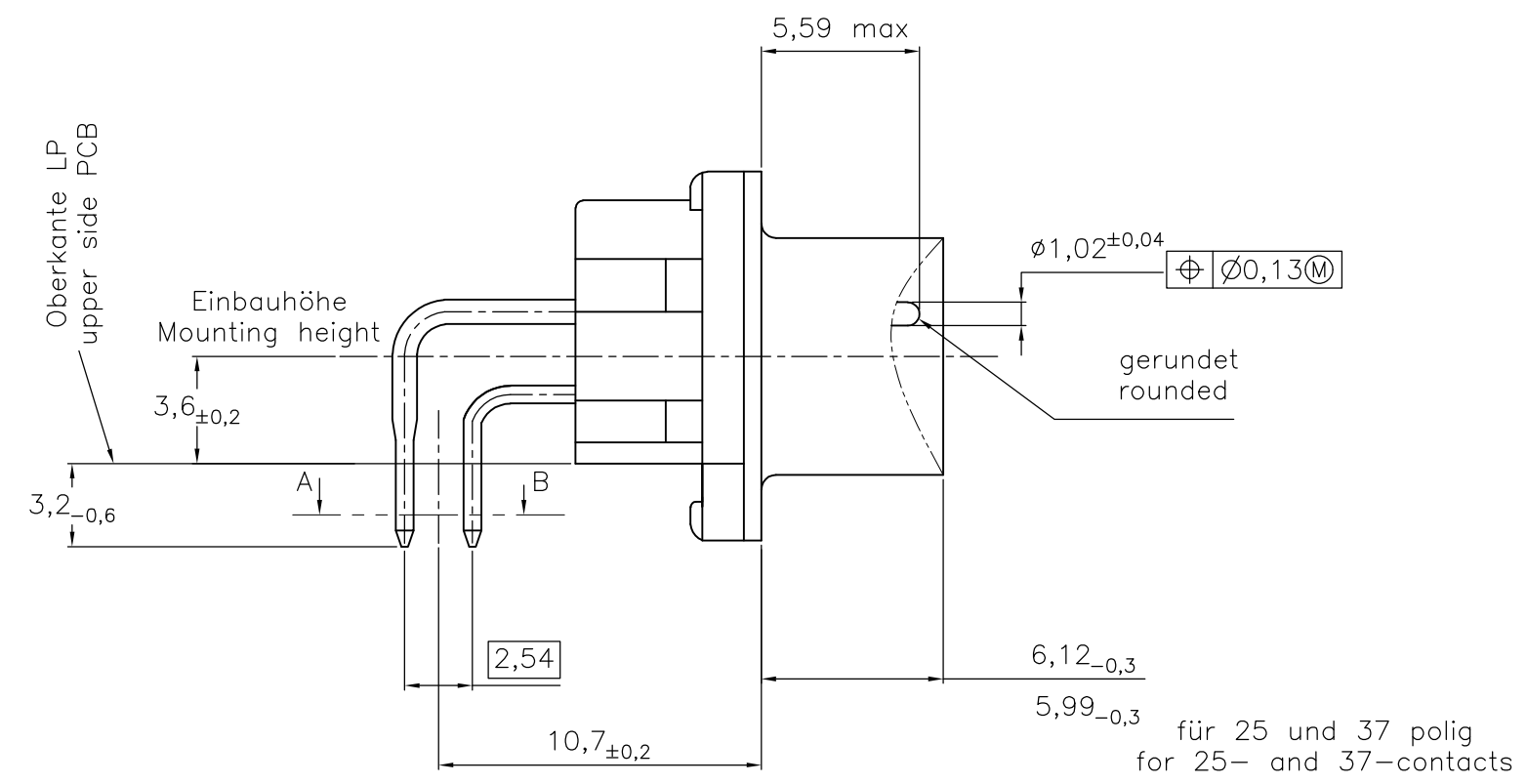
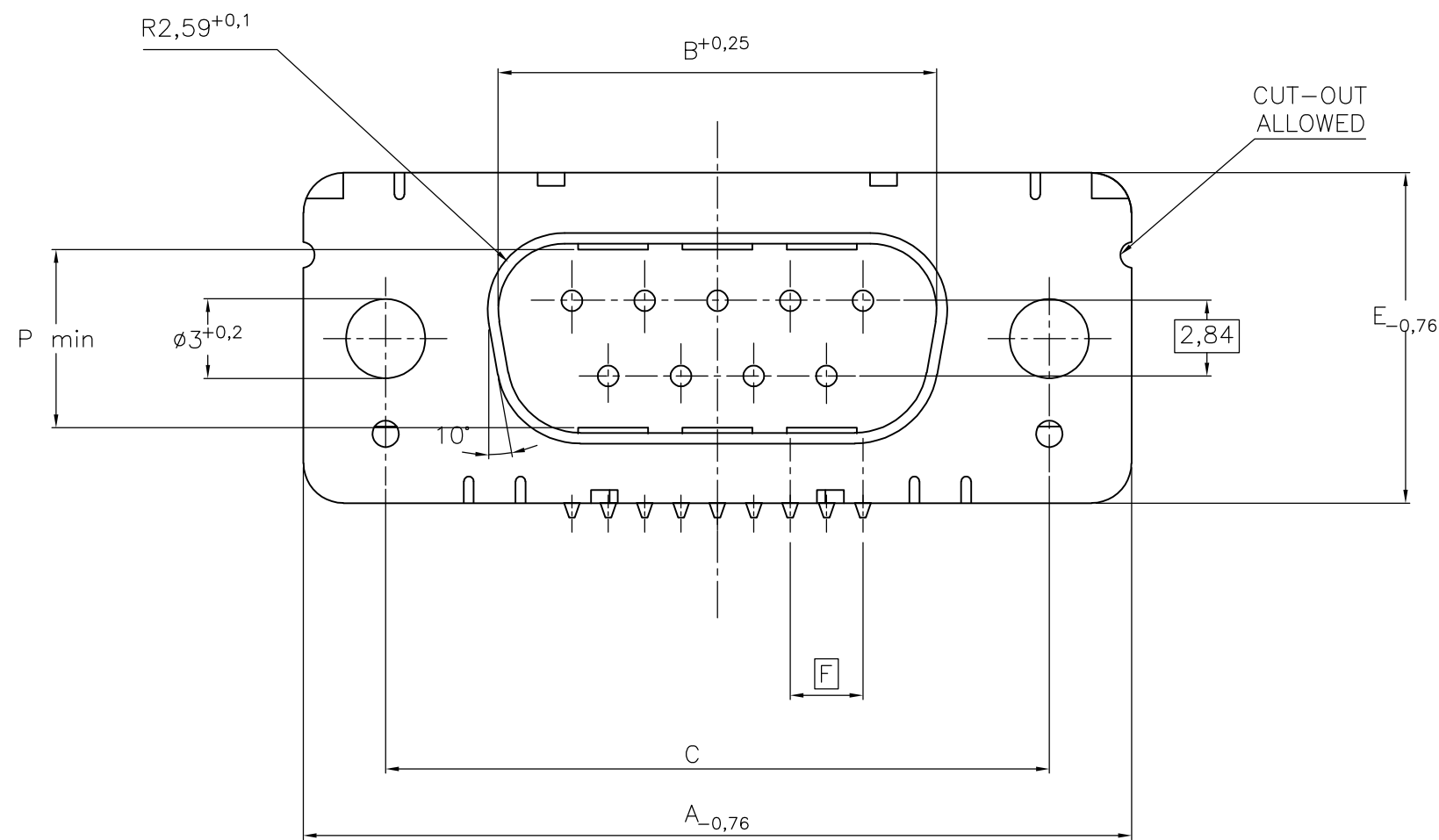
LP-Dicke 1,6±0,13mm, Loch ø3,1+0,2
 PC-board-thickness 1,6±0,13mm, Hole ø3,1+0,2

THIS DRAWING IS A CONTROLLED DOCUMENT. DIMENSIONING AND TOLERANCING PER ASME Y14.5M-2009		DWN: GNANI JADAV A E CHK: K.MALCZYK APVD: K.MALCZYK	TE Connectivity	
DIMENSIONS: mm		NAME: Sub-D 90° Löttausführung Stiftleiste Einbauhöhe 3,6 mm D-Sub 90°solderversion Pin connector mounting height 3,6 mm		RESTRICTED TO
TOLERANCES UNLESS OTHERWISE SPECIFIED: 0 PLC ± - 1 PLC ± - 2 PLC ± - 3 PLC ± - 4 PLC ± - ANGLES ± -		APPLICATION SPEC: -	SIZE: A2	CAGE CODE: 00779
MATERIAL: -	FINISH: -	WEIGHT: -	DRAWING NO: C=2-1393480-1	
CUSTOMER DRAWING			SCALE: 2:1	SHEET: 2 of 6

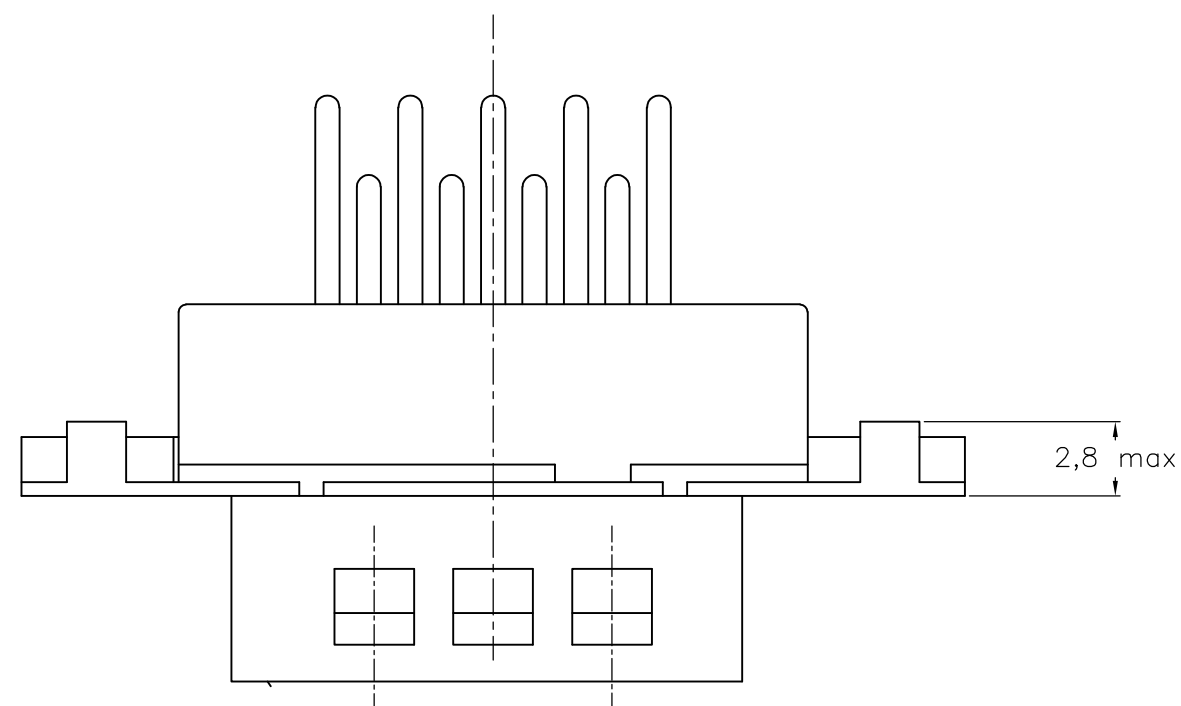
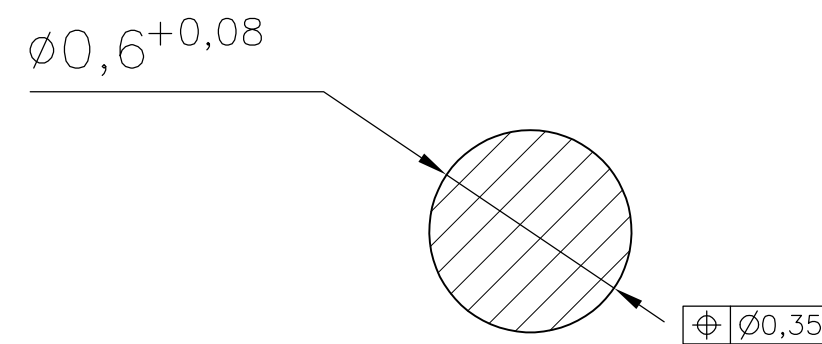
THIS DRAWING IS UNPUBLISHED. RELEASED FOR PUBLICATION
 © COPYRIGHT - By - ALL RIGHTS RESERVED.

LOC		DIST		REVISIONS				
P	LTR	DESCRIPTION	DATE	DWN	APVD			
GP	00	SEE SHEET 1	-	-	-			

Standardausführung ohne Winkel: V23529-B50x1-Cxxx-+
 Standardversion without bracket



Schnitt AB des Lötanschlusses
 Cross-section AB of solderpin
 (20:1)



Ordercode Sachnr	Contacts Polzahl	Mass/Dimension									
		A	B	C	D	E	F	M	N	P	
..-Cx09-+	09	31,19	16,79	25,0 ^{+0,12} / _{-0,13}	8,23	12,93	2,74	7,6	2	7,72	
..-Cx15-+	15	39,52	25,12	33,3 ^{+0,15} / _{-0,1}	8,23	12,93	2,74	15,2	4	7,69	
..-Cx25-+	25	53,42	38,84	47,04 ^{+0,13} / _{-0,13}	8,23	12,93	2,76	26,6	7	7,65	
..-Cx37-+	37	69,7	55,30	63,5 ^{+0,13} / _{-0,13}	8,23	12,93	2,76	41,8	11	7,65	

Anforderungsstufe/Performance level 1)

OLD PN: V23529-B****-C***-*-7427

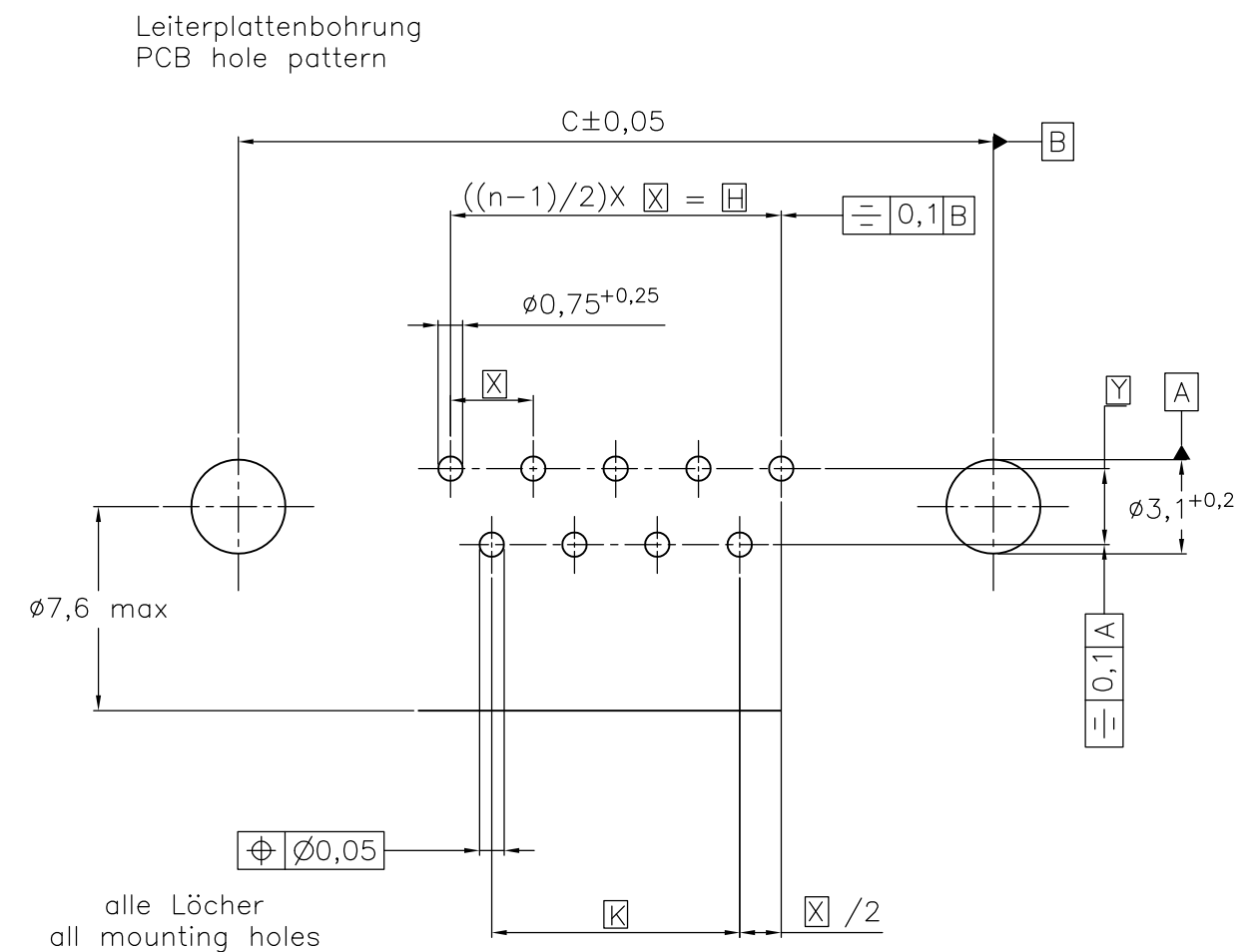
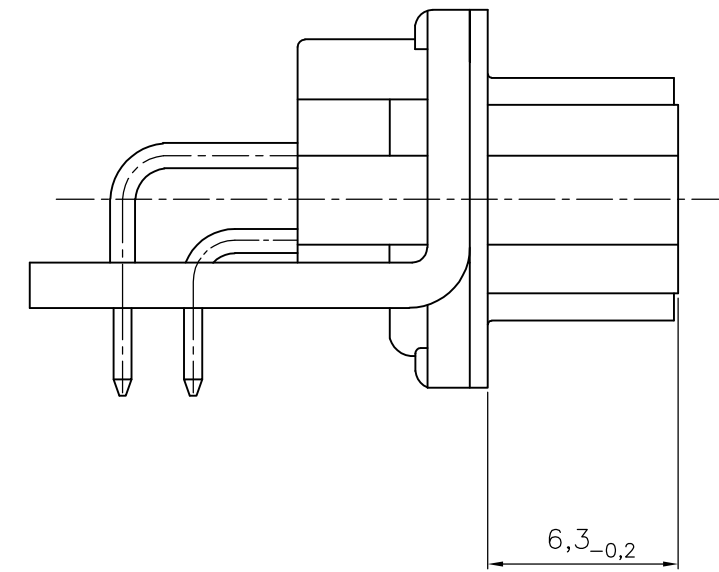
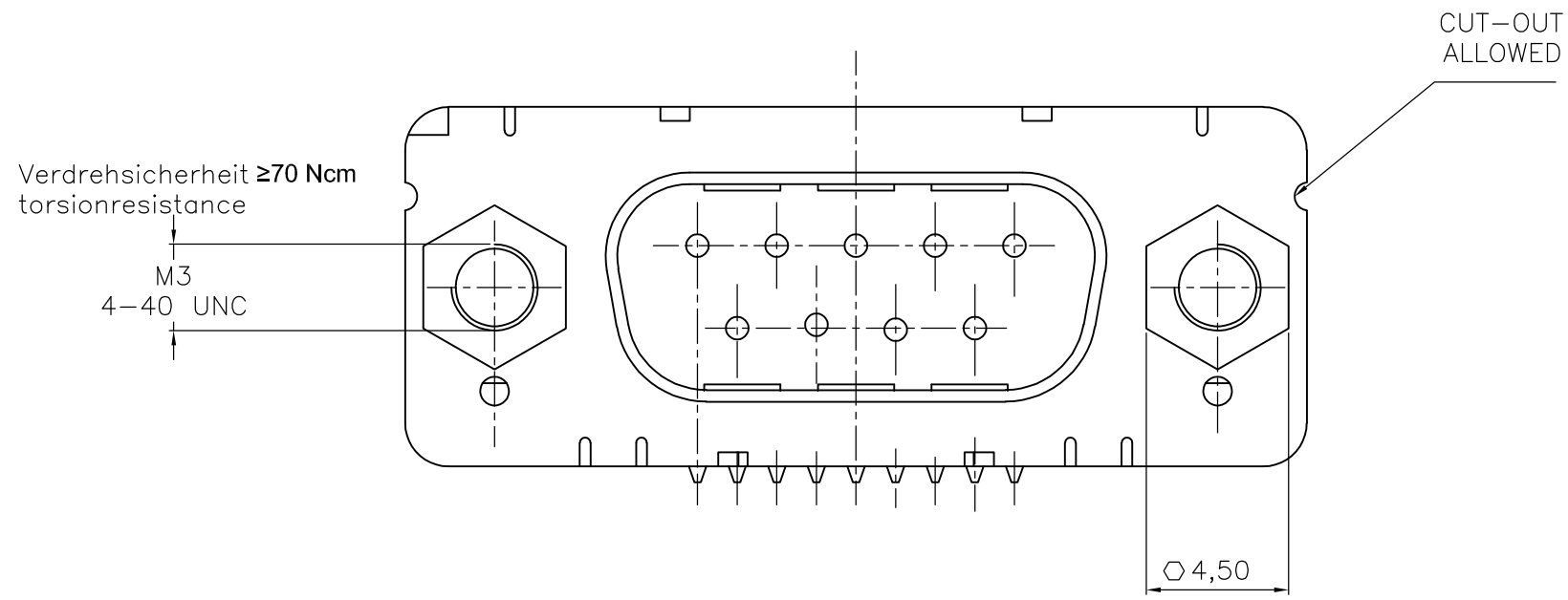
1) nach DIN 41652 T.2 und T.4
 according to DIN 41652 T.2 and T.4

THIS DRAWING IS A CONTROLLED DOCUMENT. DIMENSIONING AND TOLERANCING PER ASME Y14.5M-2009		DWN 07JAN10 GNANI JADAV A E	TE TE Connectivity	
DIMENSIONS: mm		CHK K.MALCZYK		
TOLERANCES UNLESS OTHERWISE SPECIFIED:		APVD K.MALCZYK	NAME Sub-D 90° Lötanschluss Stiftleiste Einbauhöhe 3,6 mm D-Sub 90° solder version Pin connector mounting height 3,6 mm	
0 PLC ± - 1 PLC ± - 2 PLC ± - 3 PLC ± - 4 PLC ± - ANGLES ± -		PRODUCT SPEC -		
MATERIAL -		FINISH -	APPLICATION SPEC -	RESTRICTED TO -
		WEIGHT -	SIZE A2	CAGE CODE 00779
		CUSTOMER DRAWING	SCALE 2:1	DRAWING NO C=2-1393480-1
			SHEET 3 of 6	REV D

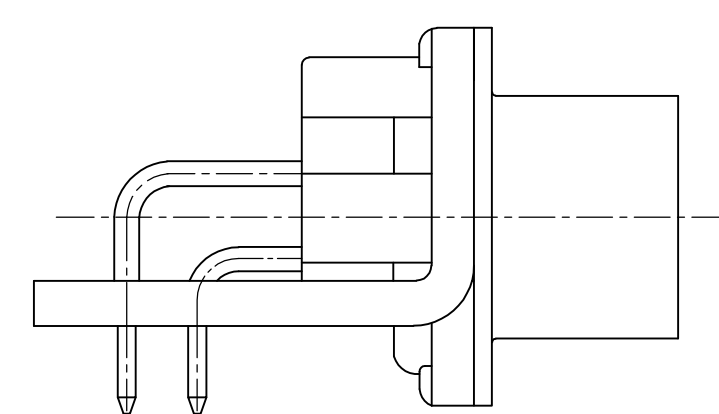
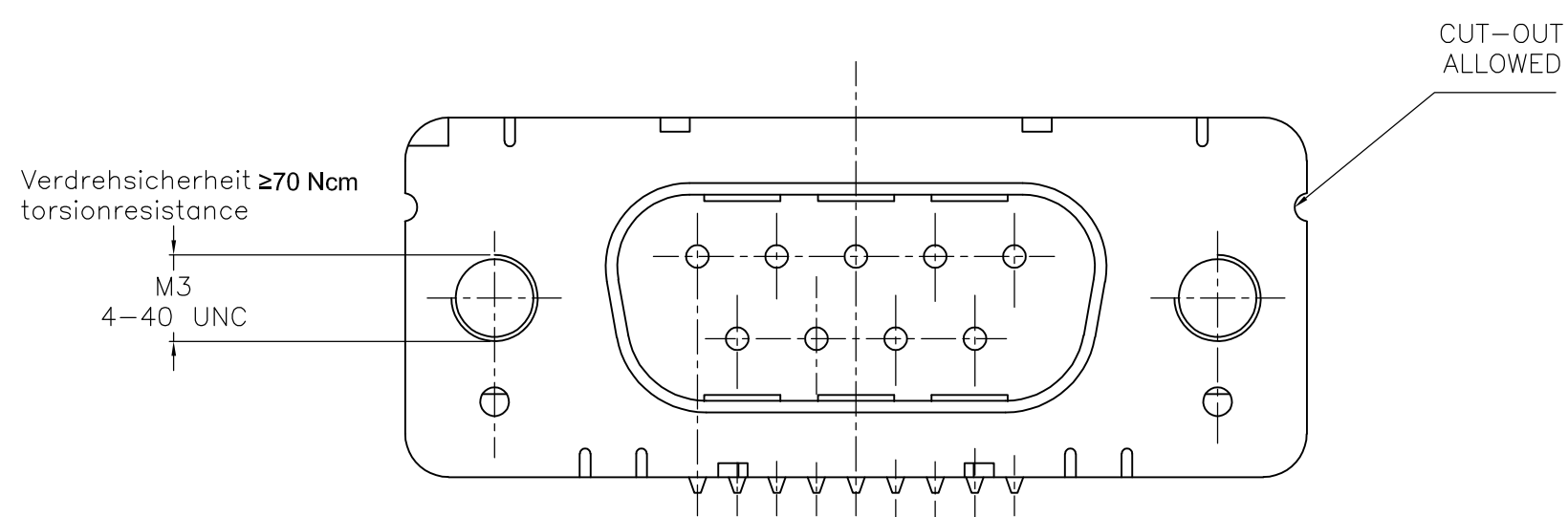
THIS DRAWING IS UNPUBLISHED. RELEASED FOR PUBLICATION
 © COPYRIGHT - By - ALL RIGHTS RESERVED.

LOC	DIST	REVISIONS					
GP	00	P	LTR	DESCRIPTION	DATE	DWN	APVD
		-		SEE SHEET 1	-	-	-

mit Gewindebolzen: M3 V23529-B50x4-Cxxx-+
 with thread lock 4-40 UNC V23529-B50x5-Cxxx-+



mit Gewinde: M3 V23529-B50x2-Cxxx-+
 with thread 4-40 UNC V23529-B50x3-Cxxx-+



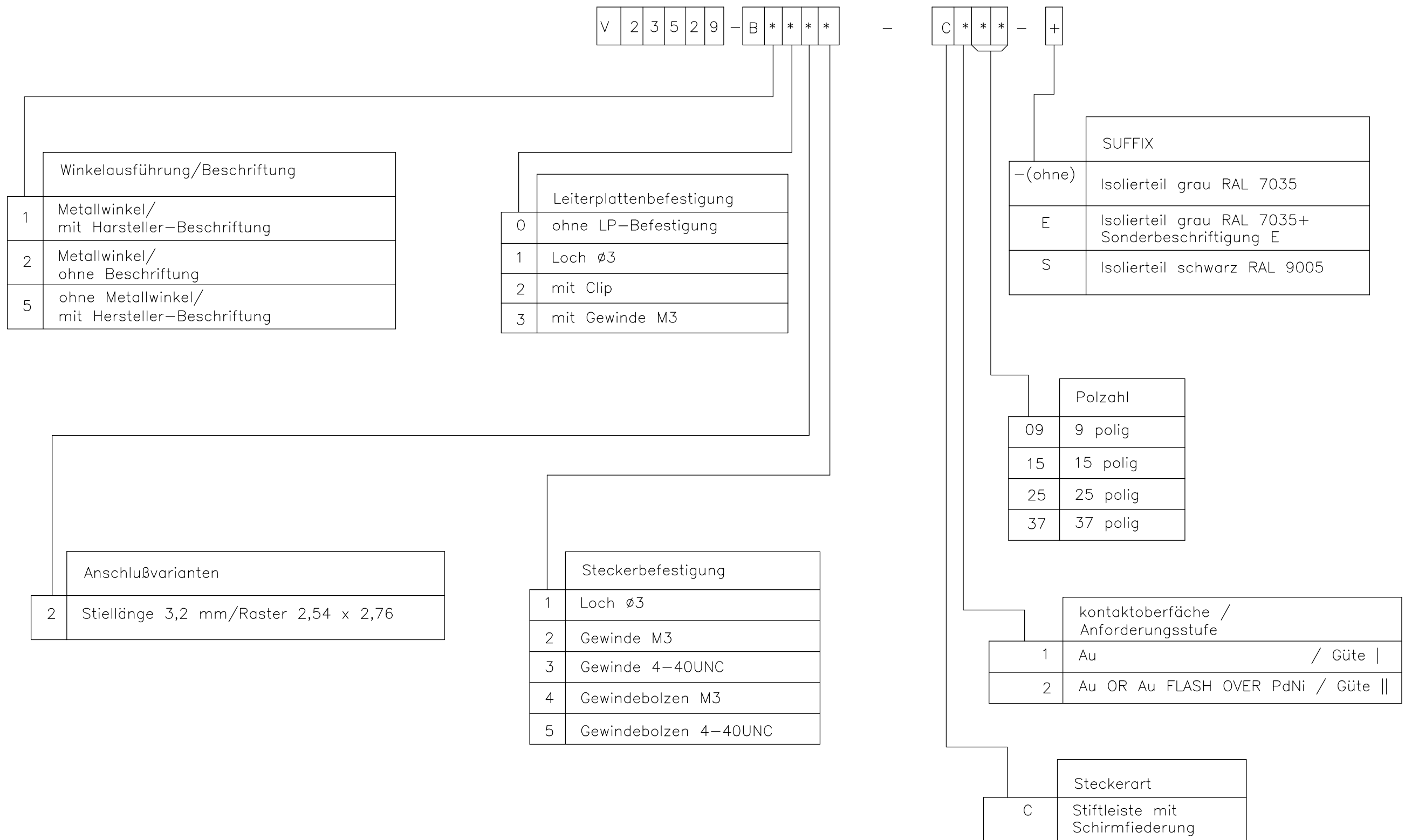
Mass Dimension	Polzahl n Number of contacts n			
	9	15	25	37
C	25	33,3	47,04	63,5
H	10,96	19,18	33,12	49,68
K	8,22	16,44	30,36	46,92
X	2,74	2,74	2,76	2,76
Y	2,54			

1) nach DIN 41652 T,2 UND T,4
 according to DIN 41652 p,2 AND p,4

OLD PN: V23529-B****-C***-*-7427

THIS DRAWING IS A CONTROLLED DOCUMENT. DIMENSIONING AND TOLERANCING PER ASME Y14.5M-2009		DWN 07JAN10 GNANI JADAV A E		
DIMENSIONS: mm		CHK K.MALCZYK		
TOLERANCES UNLESS OTHERWISE SPECIFIED:		APVD K.MALCZYK	Sub-D 90° Löt Ausführung Stiftleiste	
0 PLC ± -		PRODUCT SPEC	Einbauhöhe 3,6 mm	
1 PLC ± -		APPLICATION SPEC	D-Sub 90° solder version Pinconnector	
2 PLC ± -		WEIGHT	SIZE A2	RESTRICTED TO
3 PLC ± -		CUSTOMER DRAWING	CAGE CODE 00779	DRAWING NO C=2-1393480-1
4 PLC ± -		FINISH	SCALE 2:1	SHEET 4 of 6
ANGLES ± -			REV D	

LOC	DIST	REVISIONS			
P	LTR	DESCRIPTION	DATE	DWN	APVD
GP	00	SEE SHEET 1	-	-	-



1) nach DIN 41652 T.2 und T.4
 according to DIN 41652 p.2 and p.4

OLD PN: V23529-B****-C***-*-7427

THIS DRAWING IS A CONTROLLED DOCUMENT. DIMENSIONING AND TOLERANCING PER ASME Y14.5M-2009		DWN GNANI JADAV A E	07JAN10	STE TE Connectivity	
DIMENSIONS: mm		CHK K.MALCZYK	APVD K.MALCZYK		
TOLERANCES UNLESS OTHERWISE SPECIFIED: 0 PLC ± - 1 PLC ± - 2 PLC ± - 3 PLC ± - 4 PLC ± - ANGLES ± -		PRODUCT SPEC APPLICATION SPEC		NAME Sub-D 90° Lötanschluss Stiftleiste Einbauhöhe 3,6 mm D-Sub 90°solder version Pin connector mounting height 3,6 mm	
MATERIAL	FINISH	WEIGHT	SCALE A2	CAGE CODE 00779	DRAWING NO. C=2-1393480-1
CUSTOMER DRAWING			SCALE 2:1	SHEET 5 of 6	REV D

THIS DRAWING IS UNPUBLISHED. RELEASED FOR PUBLICATION
 © COPYRIGHT - By - ALL RIGHTS RESERVED.

LOC	DIST	REVISIONS					
GP	00	P	LTR	DESCRIPTION	DATE	DWN	APVD
		-		SEE SHEET 1	-	-	-


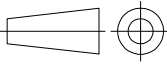
Active part numbers. Contact TE CONNECTIVITY for other configuration availability

Old Part Number	TE CONNECTIVITY Part Number	
V23529-B1121-C209	2-1393480-1	
V23529-B1121-C215	2-1393480-2	
V23529-B1121-C225	2-1393480-3	
V23529-B1121-C237	2-1393480-4	OBSOLETE
V23529-B1122-C209	3-1393480-2	
V23529-B1122-C215	3-1393480-3	
V23529-B1122-C225	2-1392010-8	
V23529-B1122-C237	3-1392010-6	
V23529-B1123-C209	4-1393480-0	
V23529-B1123-C215	4-1393480-1	
V23529-B1123-C225	4-1393480-2	
V23529-B1123-C237	4-1393480-3	
V23529-B1125-C125	5-1393480-1	
V23529-B1125-C209	5-1393480-2	OBSOLETE
V23529-B1125-C215	5-1393480-3	OBSOLETE
V23529-B1125-C225	5-1393480-4	OBSOLETE
V23529-B1125-C237	3-1392010-5	
V23529-B1221-C109	5-1393480-8	OBSOLETE
V23529-B1221-C209	5-1393480-9	

Old Part Number	TE CONNECTIVITY Part Number	
V23529-B1221-C215	6-1393480-0	
V23529-B1222-C209	7-1393480-4	
V23529-B1222-C215	7-1393480-5	
V23529-B1222-C225	7-1393480-6	
V23529-B1222-C237	7-1393480-7	
V23529-B1223-C209	8-1393480-5	
V23529-B1223-C215	8-1393480-6	
V23529-B1223-C225	8-1393480-7	
V23529-B1223-C237	8-1393480-8	OBSOLETE
V23529-B1224-C209	9-1393480-4	OBSOLETE
V23529-B1224-C215	9-1393480-5	OBSOLETE
V23529-B1224-C225	9-1393480-6	
V23529-B1225-C109	1393481-4	OBSOLETE
V23529-B1225-C209	1393481-5	
V23529-B1225-C215	3-1392010-3	OBSOLETE
V23529-B1225-C225	1393481-6	2173194-1 OBSOLETE
V23529-B1225-C237	3-1392010-4	OBSOLETE
V23529-B2121-C209	1-1393481-0	
V23529-B2221-C209	1-1393481-2	

1) nach DIN 41652 T.2 und T.4
 according to DIN 41652 p.2 and p.4

OLD PN: V23529-B****-C***-7427

THIS DRAWING IS A CONTROLLED DOCUMENT. DIMENSIONING AND TOLERANCING PER ASME Y14.5M-2009		DWN 07JAN10 GNANI JADAV A E	 TE Connectivity	
DIMENSIONS: mm		CHK K.MALCZYK		
		TOLERANCES UNLESS OTHERWISE SPECIFIED:		APVD K.MALCZYK
MATERIAL		0 PLC ± -	1 PLC ± -	2 PLC ± -
FINISH		3 PLC ± -	4 PLC ± -	ANGLES ± -
WEIGHT		PRODUCT SPEC		NAME Sub-D 90° Lötanschluss Stifteleiste
CUSTOMER DRAWING		APPLICATION SPEC		Einbauhöhe 3,6 mm
SCALE 2:1		SIZE A2	CAGE CODE 00779	DRAWING NO. C=2-1393480-1
SHEET 6 of 6		RESTRICTED TO		REV D