
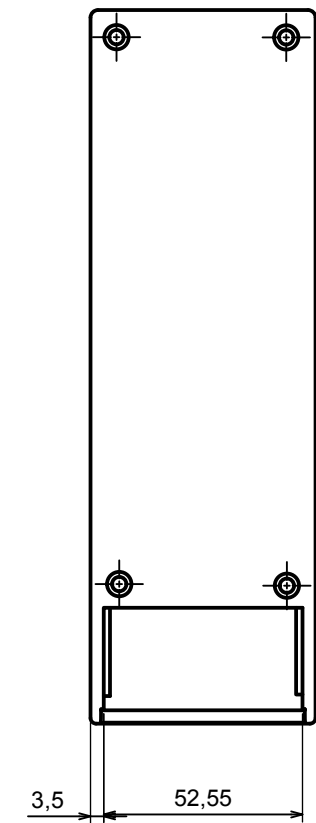
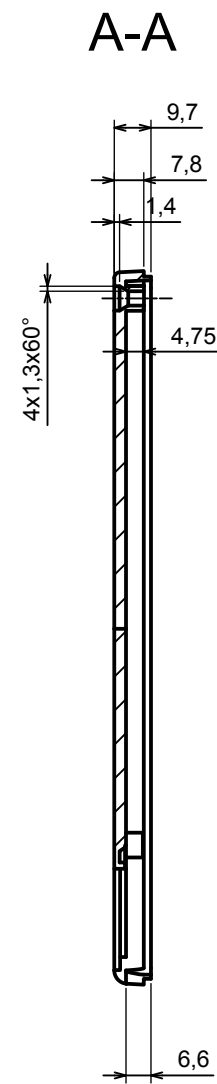
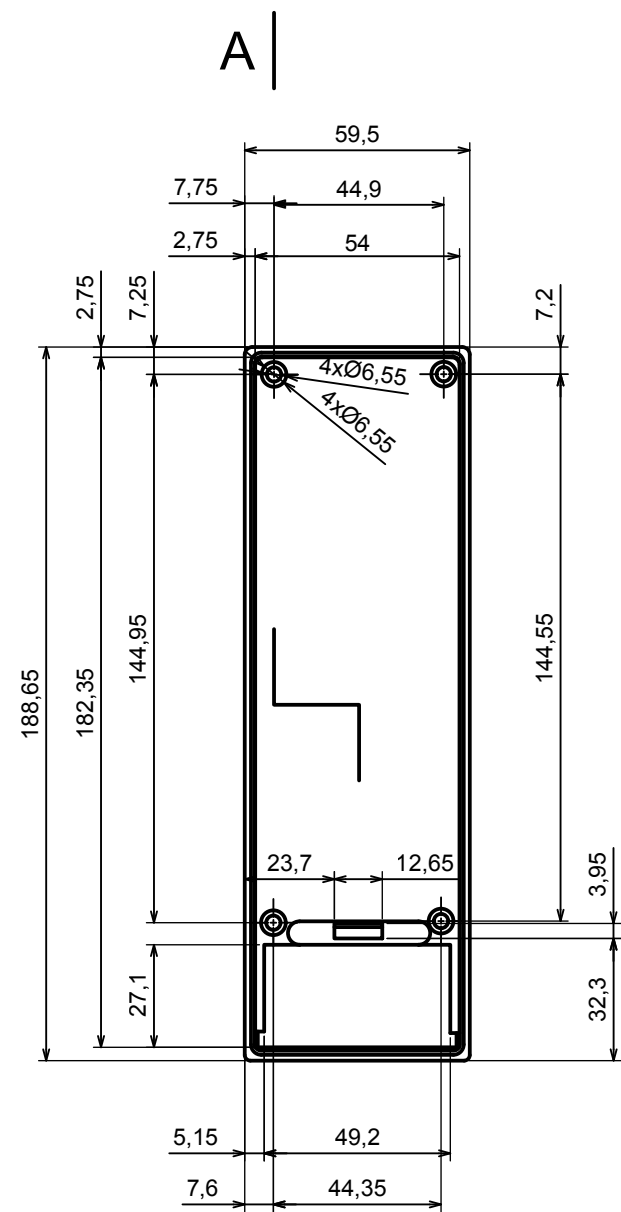


A |

All rights reserved, Copyright Kradex 2017		
Product model	Enclosure Z32A - Assembly	
Format: A3	Material: PS, ABS	
Scale 1:1	Tolerance: +/- 0.8	



All rights reserved, Copyright Kradox 2017

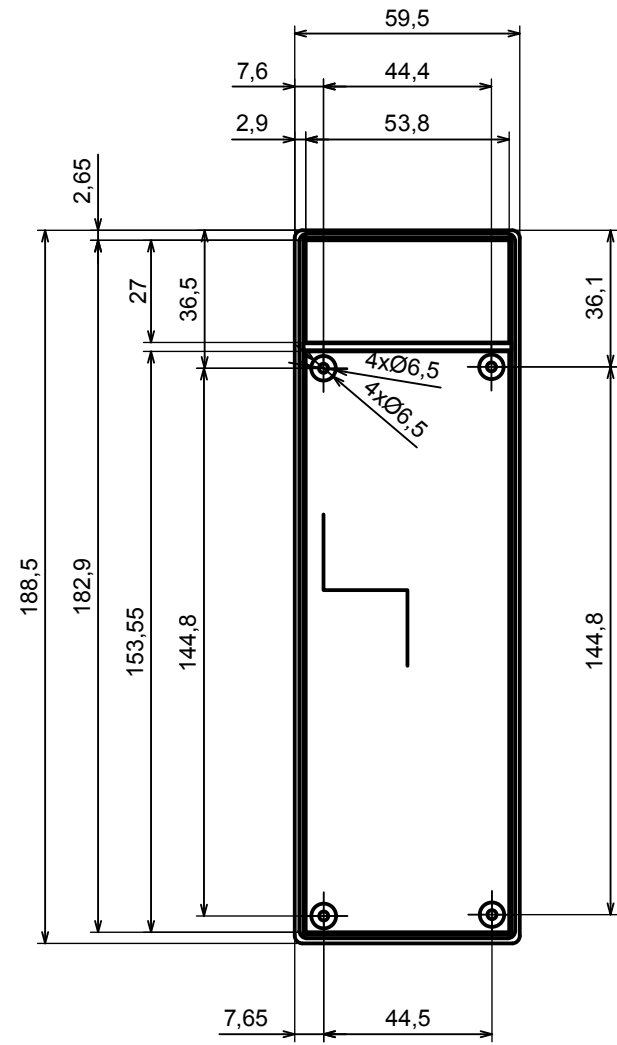
Product model: Enclosure Z32A - Base

Format: A3 Material: PS, ABS

Scale 1:2 Tolerance: +/- 0.8

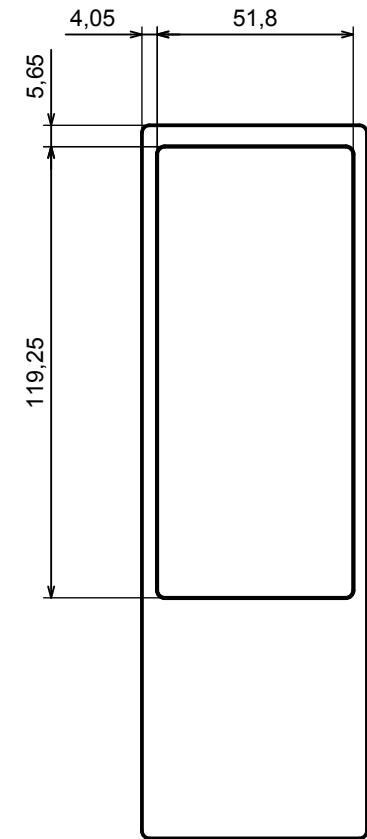
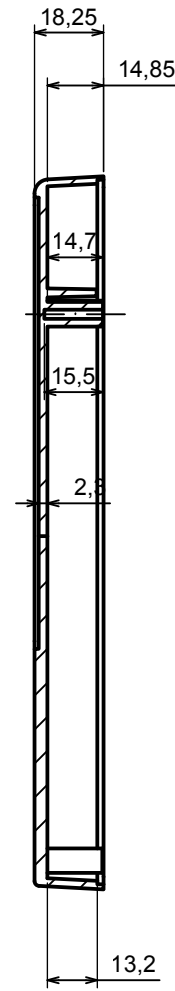


A |



A |

A-A



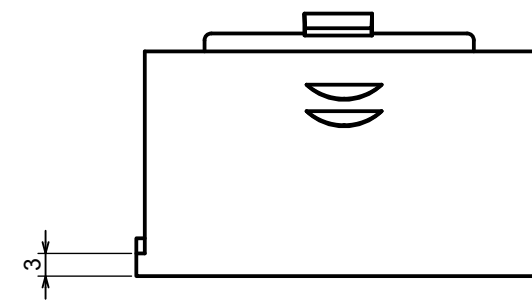
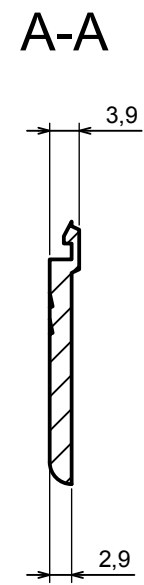
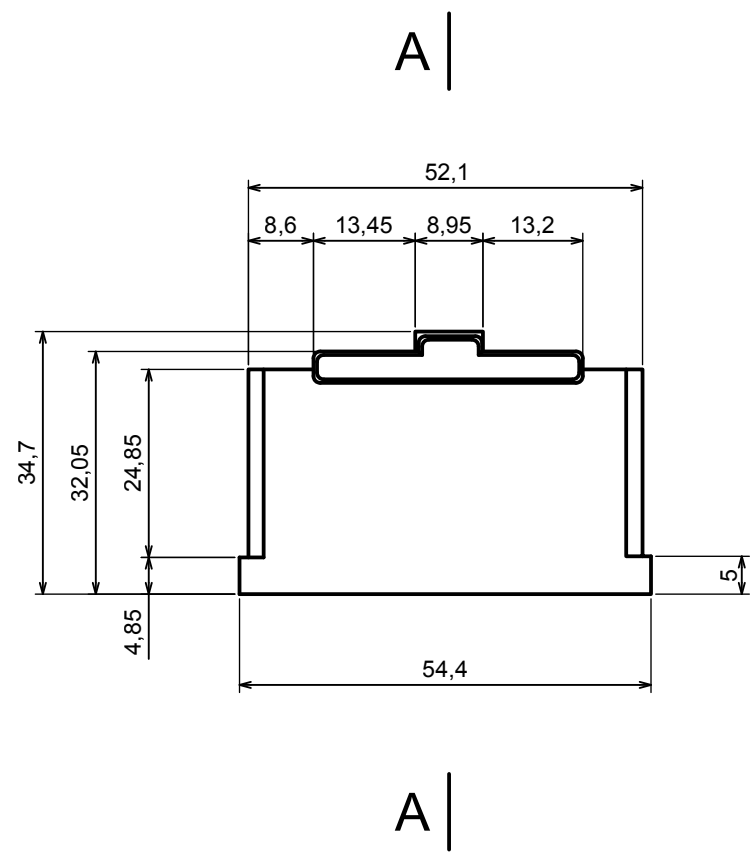
All rights reserved, Copyright Kradox 2017


Product model Enclosure Z32A - Cover

Format: A3 Material: PS, ABS

Scale 1:2 Tolerance: +/- 0.8





All rights reserved, Copyright Kradex 2017		
Product model	Enclosure Z32A - Battery Cover	
Format: A3	Material: PS, ABS	
Scale 1:1	Tolerance: +/- 0.8	