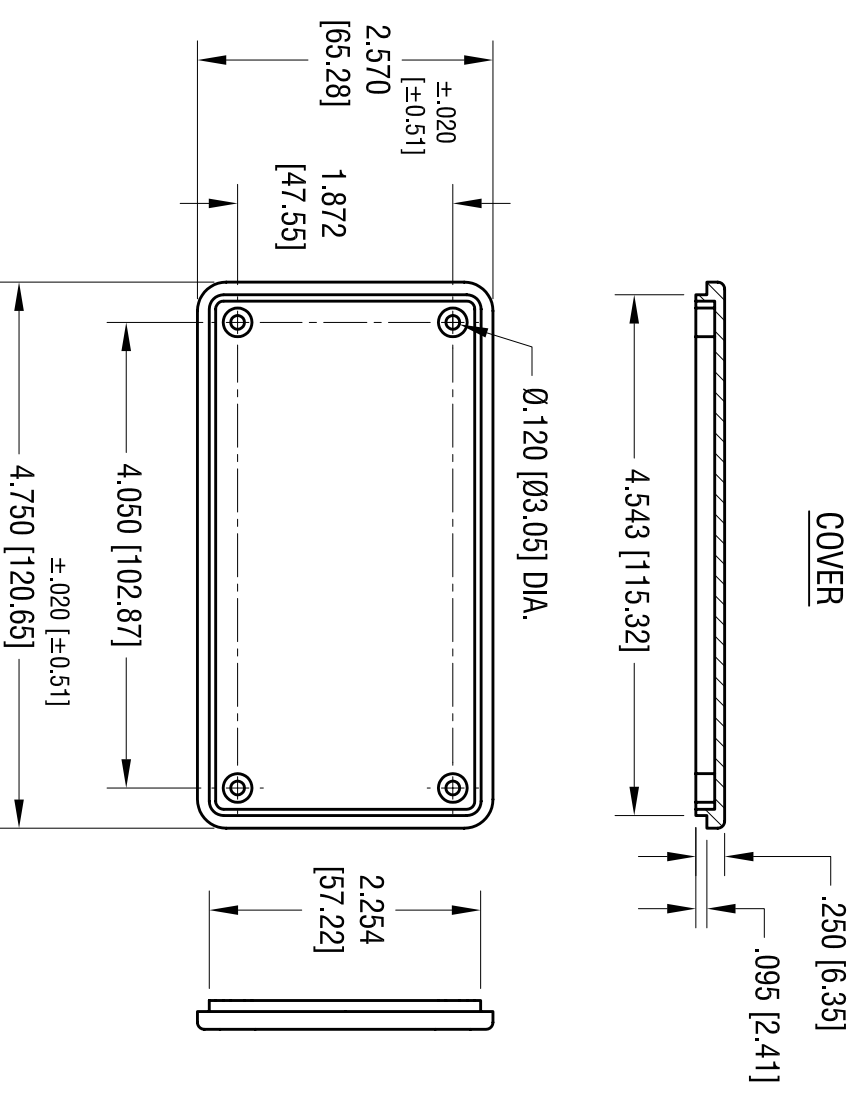
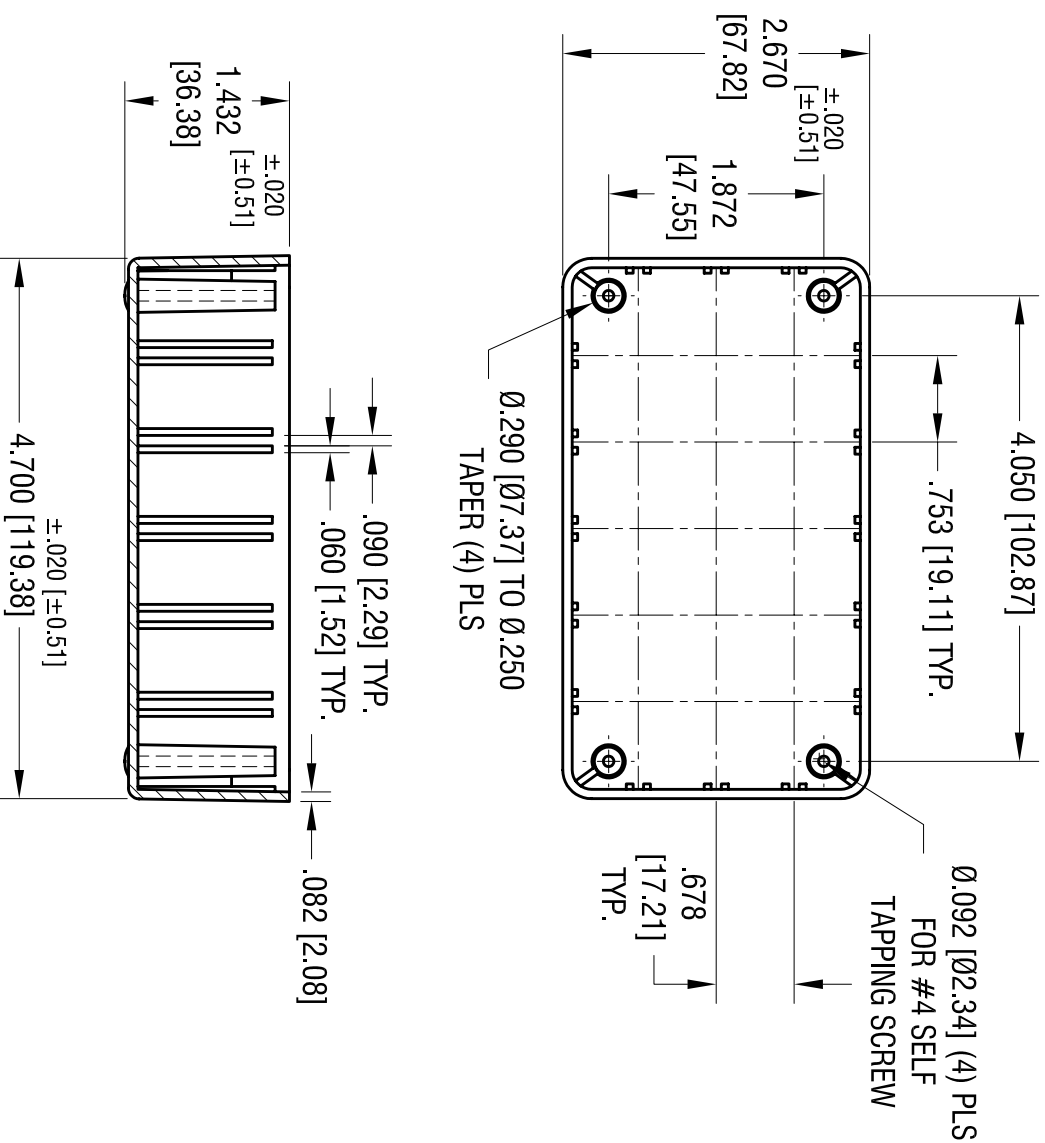


INSTRUMENT CASE



NOTE:
1. CASE SUPPLIED WITH COVER
AND MOUNTING SCREWS.

DATE

DESCRIPTION

REV.

KEYSTONE ELECTRONICS CORP.

ASTORIA, N.Y. 11105-2017

PART NAME

INSTRUMENT CASE WITH COVER

MATERIAL

BLUE STYRENE

FINISH

-

TOLERANCES

INCH [MM]
DECIMAL $\pm .010$ [± 0.25]
ANGULAR $\pm 1^\circ$

CODE

C

DRN BY

NT

DATE

8.28.07

APP'D

SCALE

.6X

DWG NO.

762

THIS DOCUMENT IS THE PROPERTY OF
KEYSTONE ELECTRONICS CORP. AND
SHALL NOT BE REPRODUCED, DISTRIBUTED
OR USED AS A BASIS FOR MANUFACTURE
WITHOUT PRIOR WRITTEN PERMISSION
FROM KEYSTONE ELECTRONICS CORP.