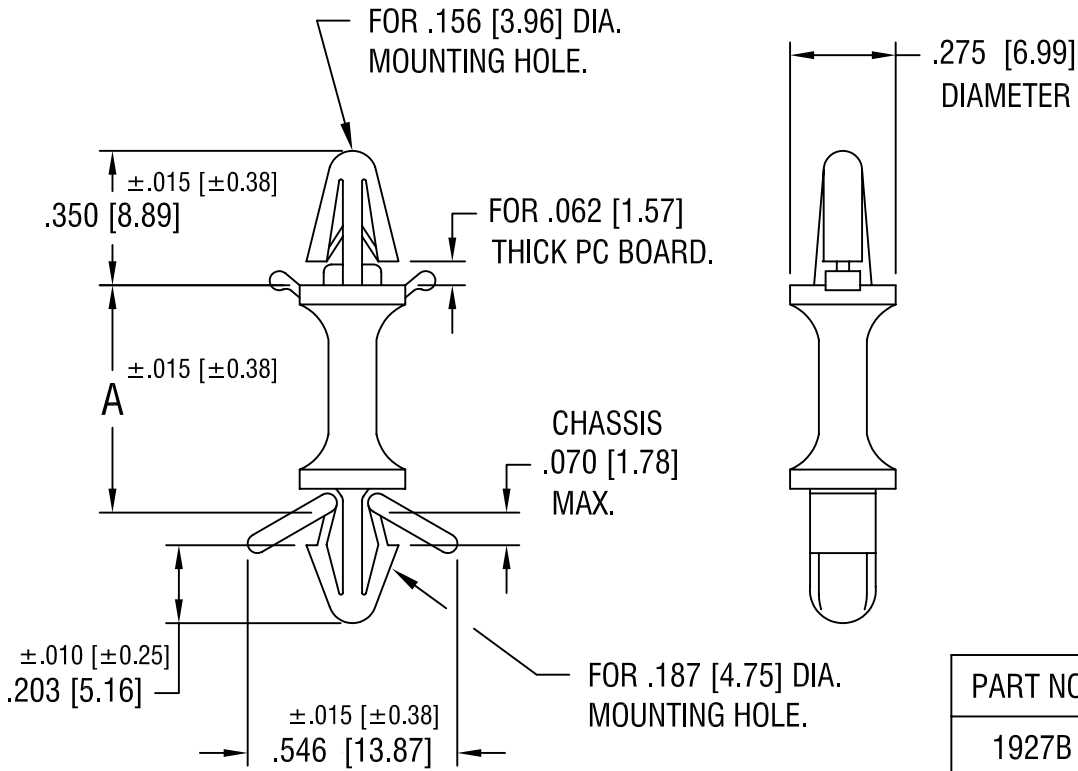


THIS DOCUMENT IS THE PROPERTY OF KEYSTONE ELECTRONICS CORP. AND SHALL NOT BE REPRODUCED, DISTRIBUTED OR USED AS A BASIS FOR MANUFACTURE WITHOUT PRIOR WRITTEN PERMISSION FROM KEYSTONE ELECTRONICS CORP.



| PART NO. | 'A' DIM. |
|----------|---------------|
| 1927B | .250 [6.35] |
| 1928B | .375 [9.52] |
| 1929B | .500 [12.70] |
| 1930B | .625 [15.87] |
| 1931B | .750 [19.05] |
| 1932B | .875 [22.22] |
| 1933B | 1.000 [25.40] |

KEYSTONE ELECTRONICS CORP.

ASTORIA, N.Y. 11105-2017

| | | | |
|----------------------------|--------|--------------------|-------------|
| PART NAME | | PC LOCK-IN SUPPORT | |
| MATERIAL | | NYLON UL 94V-0 | |
| FINISH | DRN BY | DATE | |
| - | BOONE | 11.20.95 | |
| | APPD | SCALE | |
| | | 2X | |
| TOLERANCES | INCH | [MM] | CODE |
| DECIMAL | ± .005 | [± 0.15] | C |
| ANGULAR | ± 1° | | |
| UNLESS OTHERWISE SPECIFIED | | | DWG NO. |
| | | | 1927B-1933B |

| DATE | DESCRIPTION | REV. |
|------|-------------|------|
| | | |