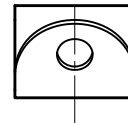
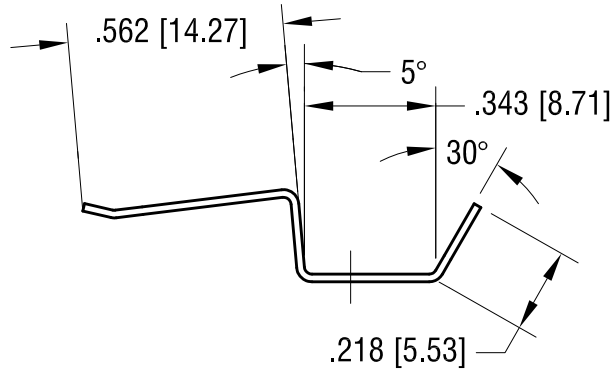
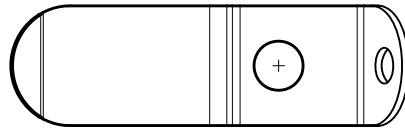
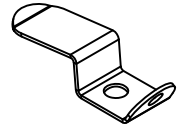
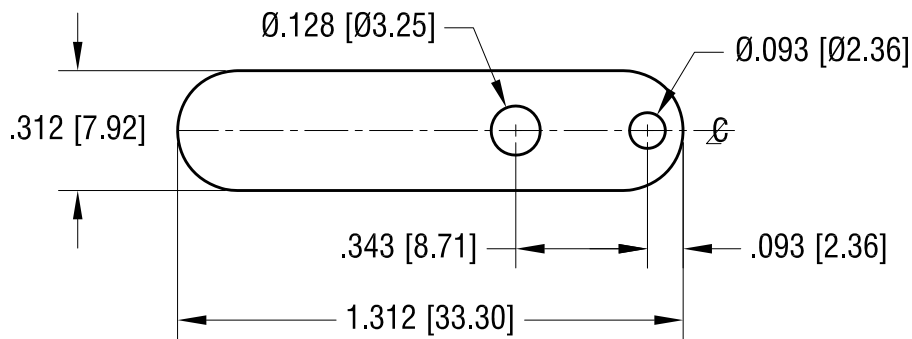


THIS DOCUMENT IS THE PROPERTY OF
KEYSTONE ELECTRONICS CORP. AND
SHALL NOT BE REPRODUCED, DISTRIBUTED
OR USED AS A BASIS FOR MANUFACTURE
WITHOUT PRIOR WRITTEN PERMISSION
FROM KEYSTONE ELECTRONICS CORP.

ACTUAL SIZE



FLAT PATTERN



KEYSTONE ELECTRONICS CORP.

www.keyelco.com • ASTORIA, N.Y. 11105-2017 • Tel (718) 956-8900

PART NAME

TOP SPRING

MATERIAL

.020 [0.50] TH'K PHOSPHOR BRONZE

FINISH

NICKEL PLATE

DRN BY

LN

DATE

12.9.81

APP'D

LN

SCALE

2X

TOLERANCES

INCH [MM]

DECIMAL

± .005 [± 0.13]

ANGULAR

± 1°

UNLESS OTHERWISE SPECIFIED

CODE

C/M

DWG NO.

114

10.12.12 REDRAWN IN CAD FORMAT

DATE

DESCRIPTION

REV.