



## SPECIFICATIONS SHEET

**PRODUCT TYPE : MAGNETIC TRANSDUCER**

**PRODUCT SERIES : DB111**

**DESCRIPTION : MT TRANSDUCER 1.5V PIN NORYL**

**RoHS**

**COLOR : BLACK**

### ELECTRICAL SPECIFICATIONS

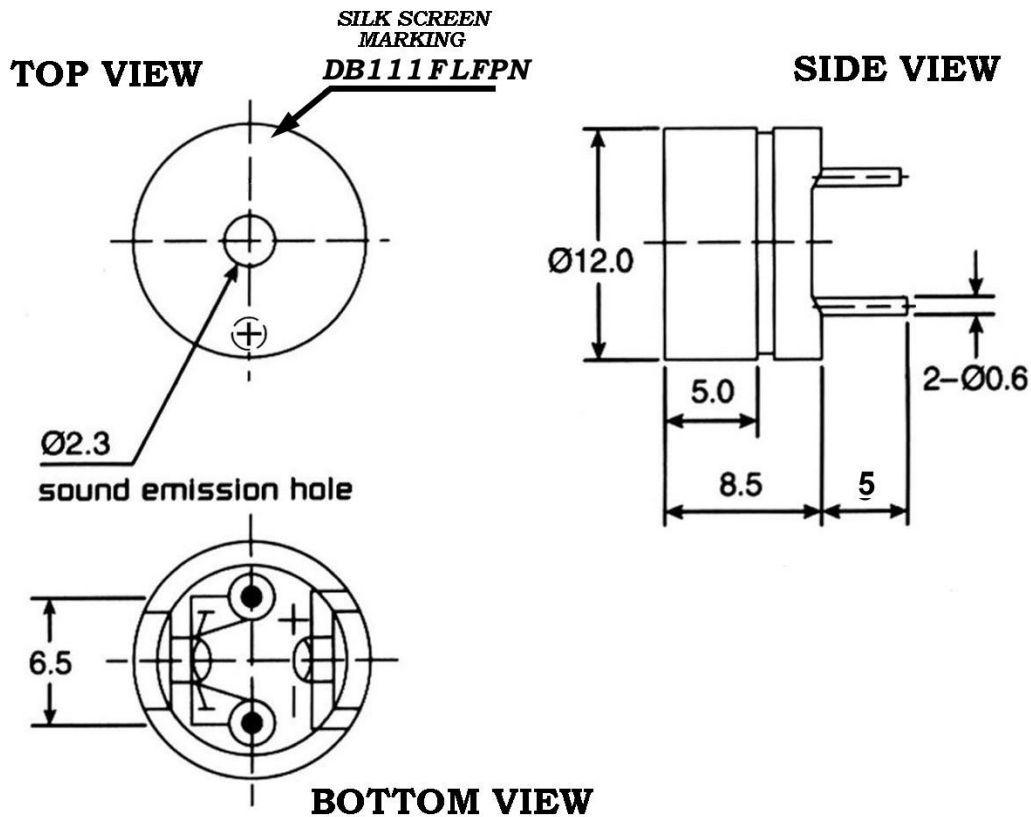
MODEL NO.		DB111FLFPN
OPERATING VOLTAGE RANGE ( V )		1.0 ~ 5.0
RATED VOLTAGE ( V )		1.5
+ MAX. RATED CURRENT ( mA )		15
COIL RESISTANCE ( $\Omega$ )		42.0 $\pm$ 5.0
* COIL IMPEDANCE ( $\Omega$ )		80
+ MIN. SOUND OUTPUT AT 10 cm ( dBA )		80
RESONANT FREQUENCY ( Hz )		2048
OPERATING TEMPERATURE ( $^{\circ}$ C )		- 20 ~ + 60
TERMINAL		PIN
HOUSING MATERIAL		NORYL
WEIGHT ( g )		2.0

+ Value applying rated voltage resonant frequency, 1/2 duty , square wave

\* Value applying resonant frequency, 1/2 duty , square wave ,measuring current 60uA

### DIMENSIONS

UNIT : mm



Approved By :   
Date : 27-Jun-2005

Prepared By :   
Date : 27-Jun-2005

Modify :	Date :	By :