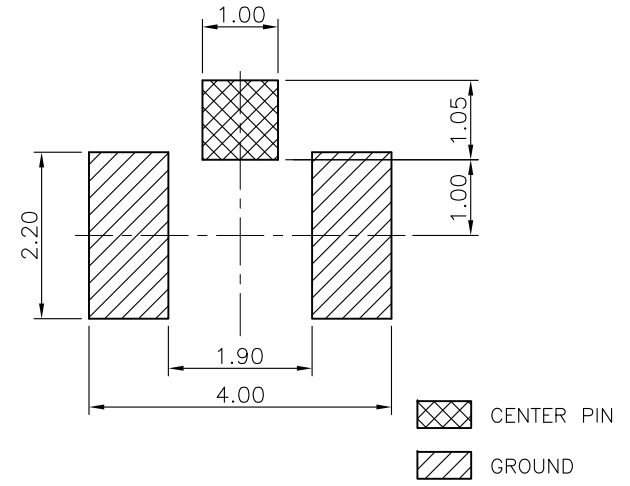
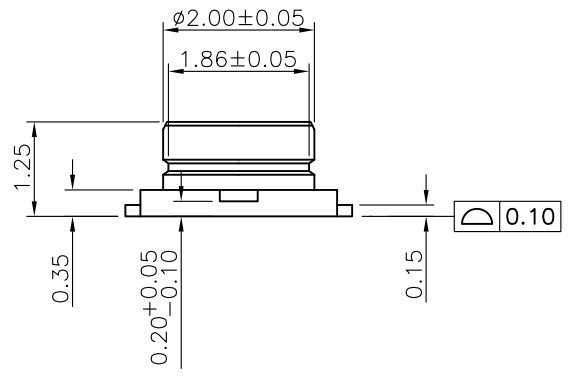
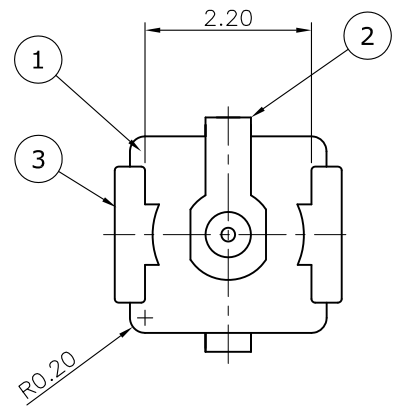
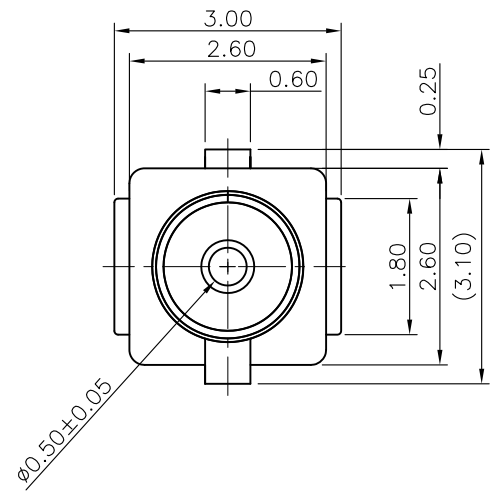


REV.	DESCRIPTION	DRAWN	DATE
1	INITIAL RELEASE	Fros	2019/10/25



RECOMMENDED LAYOUT (TOP VIEW)
GENERAL TOLERANCE: $\pm 0.05\text{mm}$

SPECIFICATION:

1. ELECTRICAL
 - 1.1 Current Rating: 1A
 - 1.2 Voltage Rating: 60VAC
 - 1.3 Contact Resistance:
 - Inner Contact (Initial): 20m Ω
 - Ground Contact (Initial): 10m Ω
 - 1.4 Insulation Resistance: 500M Ω
 - 1.5 Dielectric Withstanding Voltage: 200VAC for 1 minute
 - 1.6 VSWR:
 - 100MHz to 3GHz: 1.3Max
 - 3GHz to 6GHz: 1.4Max
 - 1.7 Nominal Characteristic Impedance: 50 Ω
 - 1.8 Applicable Frequency: 100MHz to 6GHz
2. MECHANICAL
 - 2.1 Durability: 30 Cycle
3. ENVIRONMENTAL
 - 3.1 Operating temperature range: -40 $^{\circ}\text{C}$ ~+85 $^{\circ}\text{C}$
 - 3.2 Storage temperature range: -40 $^{\circ}\text{C}$ ~+85 $^{\circ}\text{C}$
4. SOLDER ABILITY
 - 4.1 Recommended IR Reflow Temperature: 260 $^{\circ}\text{C}$

3	GROUND	Gold flash on contact area, 50u" min. nickel under plating over all	
2	CENTER PIN	Gold flash on contact area, 50u" min. nickel under plating over all	
1	HOUSING	LCP, UL94V-0, Natural	
NO. PART NAME		DESCRIPTION	
UNLESS OTHERWISE SPECIFIED TOLERANCE			
UNIT:	DECIMAL	LINEAR	ANGLES
mm	X.	± 0.20	$\pm 5^{\circ}$
	X.X	± 0.15	$\pm 2^{\circ}$
	X.XX	± 0.10	$\pm 1^{\circ}$
DRAWN		Fros	2019/10/25
CHECKED		Tim	2019/10/25
APPROVED		Ken	2019/10/25
DRAWN NAME:		Micro Coaxial RF Connector 1.25mm Height 3 PAD	
PRODUCT NO.		321A-331251	
SCALE	SHEET	SIZE	FILE NAME
10/1	1/1	A4	321A-331251_B_1



www.attend.com.tw