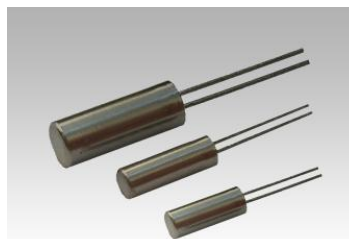




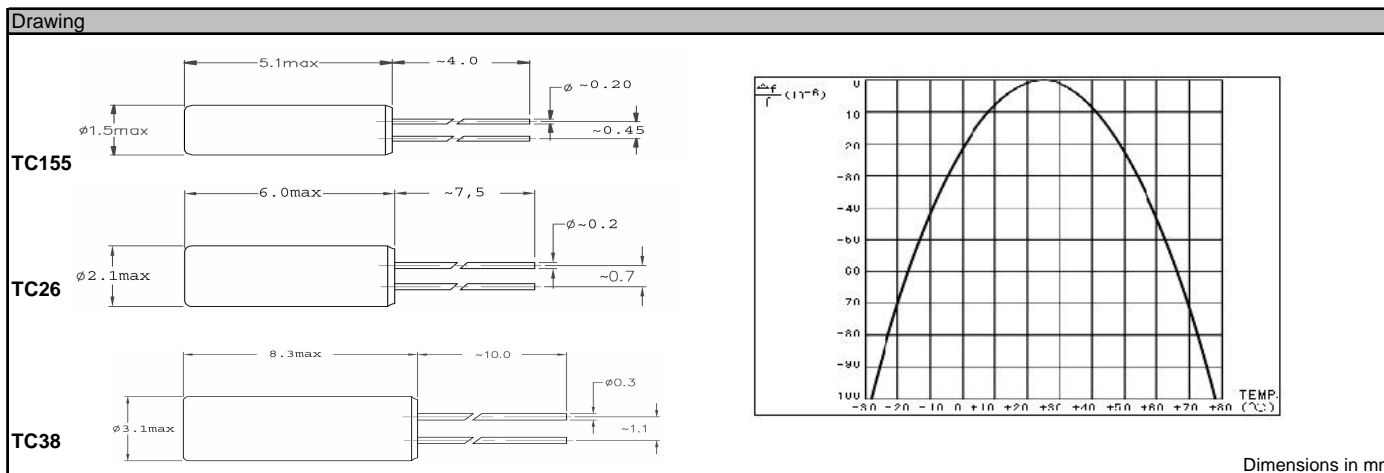
Features:

- Small size
- Tuning fork reliability
- Thru-hole package



**TC38
TC26
TC155**

Specifications		Symbol	TC155	TC26	TC38	Remarks
Frequency range		f	32.768kHz			Standard
Frequency tolerance, Ta=25°C		f/f	-	30kHz ~ 200kHz	30kHz ~ 100kHz	Available
Load capacitance		CL	12,5pF	6pF ~ 12.5pF		Others are offered
Temp. coefficient		A	-0,04 x 10 ⁻⁶ / °C ²			Max
Temperature range	Storage temp.	TSTG	-30°C ~ +85°C			Others are offered
	Operating temp.	TOPR	-10°C ~ +60°C			Standard, others are offered
Drive level	Maximum drive level	MDL	1µW			
	Recommended drive level	RDL	-	-		
Series resistance		R1	65kOhm	40kOhm	35kOhm	Max (25°C ±3°C)
Shunt capacitance		C0	5pF			Max
Insulation resistance		IR	500M Ohm			Min
Aging		fA	±5ppm/Year			Max



Order key						
Q	- 32.768000K	- TC38	- 30	- B	- 12.5	
Part	Frequency	Package	Frequency tolerance	Temperature range	Load capacitance	
Q=Quartz	K=kHz	TC38 TC26 TC155	±ppm (25°C)	A= 0°C ~ +70°C B= -10°C ~ +60°C C= -10°C ~ +70°C D= -20°C ~ +70°C E= -40°C ~ +85°C	* pF * * * *	* TC155