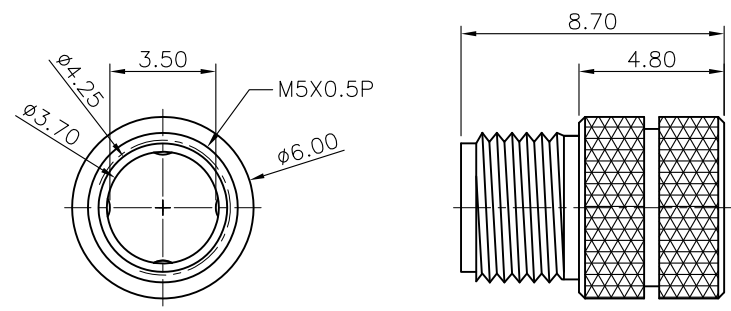
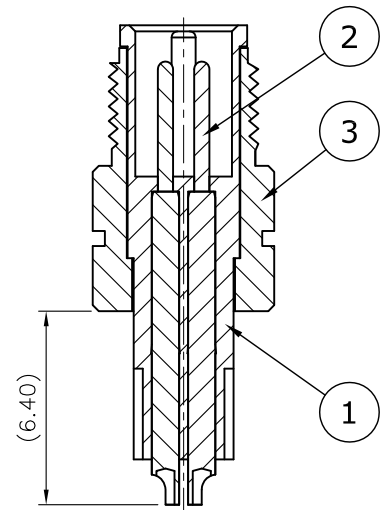
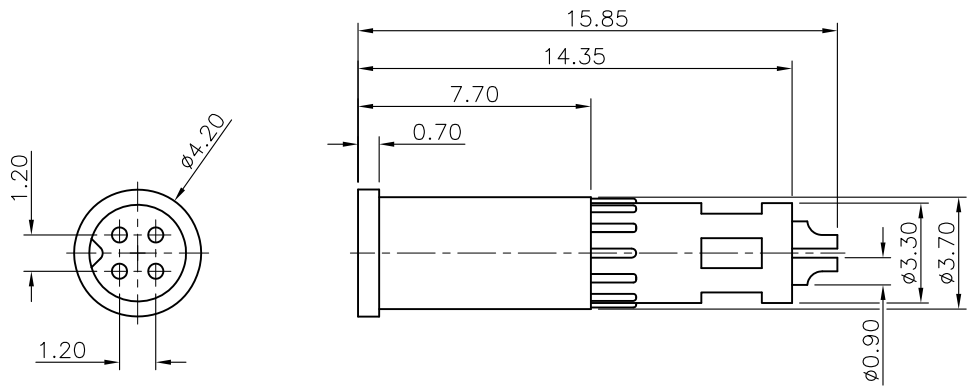


REV.	DESCRIPTION	DRAWN	DATE
1	INITIAL RELEASE	TIM	2016/08/17


SPECIFICATION:

1. CURRENT RATING: 1A
2. VOLTAGE: 60V
3. WATER PROOF: IP67
4. OPERATION TEMPERATURE: -40°C TO +85°C



NUT

3	NUT	BRASS, NICKEL PLATED
2	CONTACT	BRASS, GOLD FLASH OVER NICKEL PLATING
1	HOUSING	TPU, BLACK
NO	PART NAME	DESCRIPTION

UNLESS OTHERWISE SPECIFIED TOLERANCE					
UNIT:	DECIMAL	LINEAR	ANGLES		
mm	X.	±0.50	±5°	WWW.ATTEND.COM.TW	
	X.X	±0.25	±3°		
	X.XX	±0.12	±1°		
DRAWN	Tim	2016/08/17	DRAWN NAME: M5 A-Code Plug for Cable		
CHECKED	Fros	2016/08/17	4Pin Male For Overmold with Cable		
APPROVED	Ken	2016/08/17	PRODUCT NO.	220A-04MO0	
SCALE	4/1	SHEET	1/1	SIZE	A4
			FILE NAME	220A-04MO0_B_1	