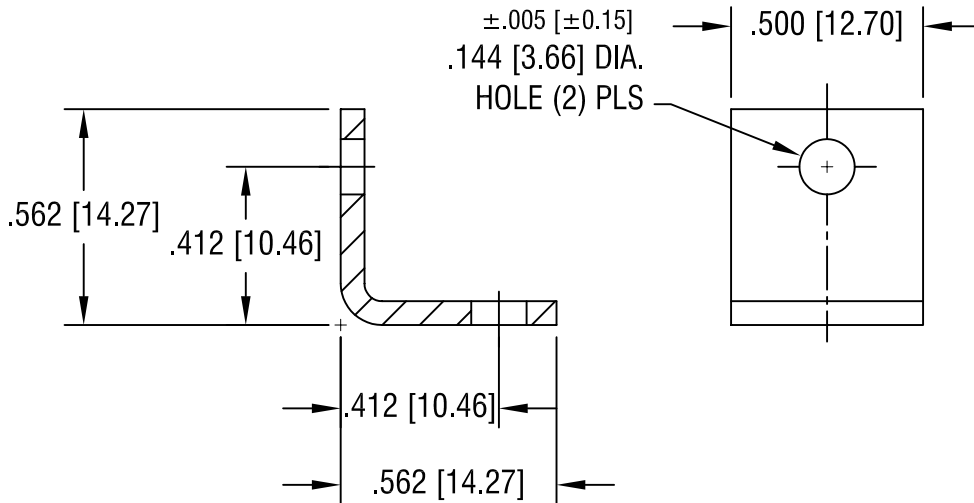


THIS DOCUMENT IS THE PROPERTY OF  
KEYSTONE ELECTRONICS CORP. AND  
SHALL NOT BE REPRODUCED, DISTRIBUTED  
OR USED AS A BASIS FOR MANUFACTURE  
WITHOUT PRIOR WRITTEN PERMISSION  
FROM KEYSTONE ELECTRONICS CORP.



<b>KEYSTONE ELECTRONICS CORP.</b>			
ASTORIA, N.Y. 11105-2017			
PART NAME		BRACKET	
MATERIAL		.062 [1.52] TH'K STEEL	
FINISH		DRN BY	DATE
NICKEL PLATE		BOONE	10.23.91
		APPD	SCALE
			2X
TOLERANCES	INCH [MM]	CODE	DWG NO.
DECIMAL	$\pm .010$ [ $\pm 0.25$ ]	C	4336
ANGULAR	$\pm 1^\circ$		
UNLESS OTHERWISE SPECIFIED			

1.22.01	CHANGE AS PER ECN 01-007	A
DATE	DESCRIPTION	REV.