

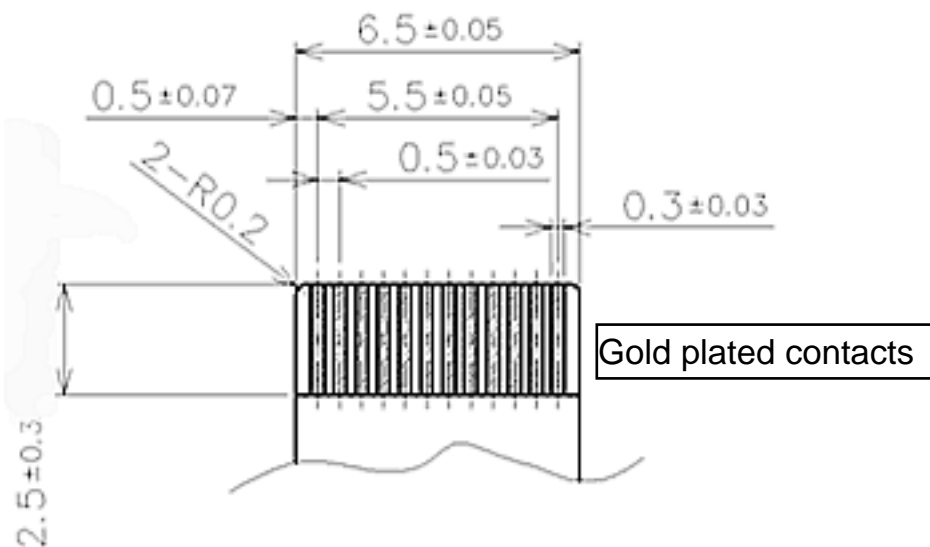
4.2. Cable and Connector

The following shows the cable and the connector to connect the scan engine and the host.

Recommended connector : IRISO 9681-12 (12pin)
Recommended cable length : 50 mm (max)



Figure 7: FFC



FFC specified thickness: 0.3 ± 0.03

Figure 8: FFC Terminal

- * When using the FFC, it is recommended to use "polyimide and thermoset adhesive" as material for the reinforcing film.
- * When using the FFC, make sure the thickness and the dimensional tolerance of the FFC.