



SPECIFICATIONS SHEET

PRODUCT TYPE : OPEN STRUCTURE ULTRASONIC SENSORS

PRODUCT SERIES : USO16A

DESCRIPTION : USO T 16D 12.2H 10V PIN ALUMINIUM RoHS

COLOR : SILVER

ELECTRICAL SPECIFICATIONS

MODEL NO.	USO16A12TLFPM	
FUNCTION	TRANSMITTRT	
CENTER FREQUENCY	Hz	40000 ± 1000
DIAMETER (A) ± 0.3	mm	∅ 16.0
HEIGHT (B) ± 0.3	mm	12.2
BANDWIDTH (dB)	2.0 K Hz	
SOUND PRESSURE LEVEL (0dB = 0.0002 ubar)	Min. 118.0 dB (AT 40.0 K Hz / 10V rms Sine Wave / 30.0 cm)	
CAPACITANCE AT 1KHz	pF	2100 ± 20 %
MAX. DRIVING VOLTAGE (cont.)	20.0 V Rms	
BEAM ANGLE -6 dB	80.0 ° TYPICAL	
HOUSING MATERIAL	ALUMINUM	
OPERATING TEMPERATURE	°C	-20.0 ~ +70.0
WEIGHT	3.0 g	

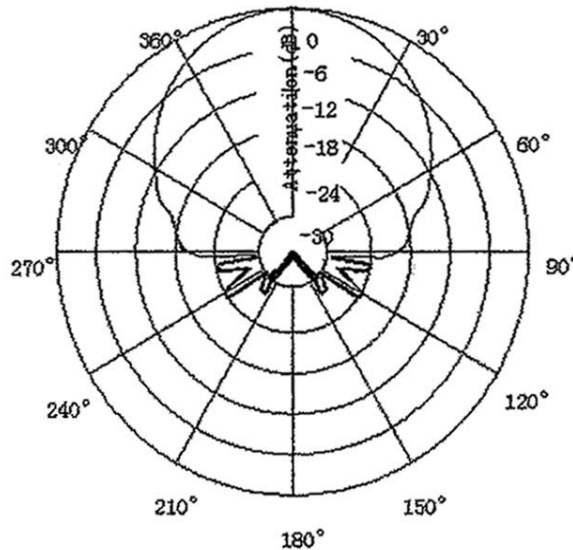
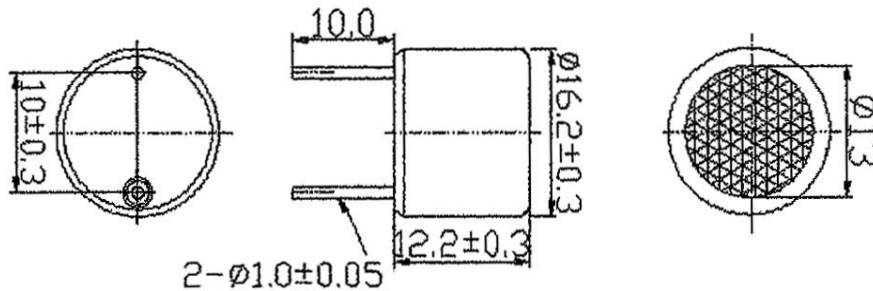
DIMENSIONS

UNIT : mm

BOTTOM VIEW

SIDE VIEW

TOP VIEW



Approved By : Date : 19-Dec.-2008

Prepared By : Date : 19-Dec.-2008

Modify :	Date :	By :
Modify Electrical Spec.	19-Dec-08	Joey