

SWITCH CIRCUIT

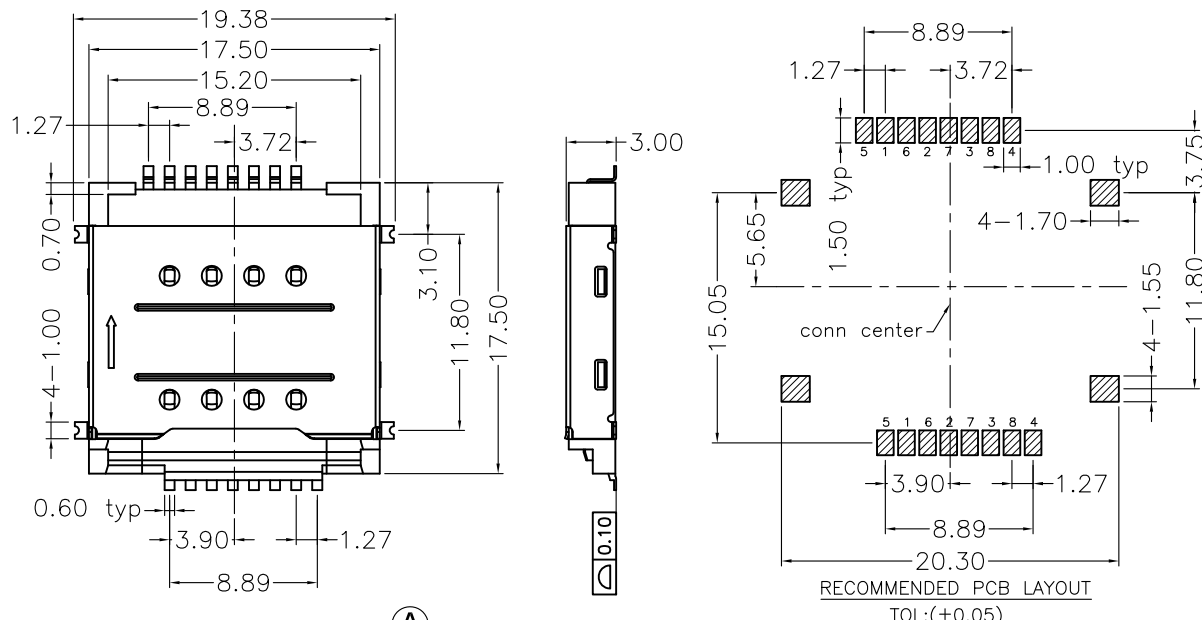
MATERIAL AND FINISH AS BELOW

WHEN CARD IS EJECTED

WHEN CARD IS INSERTED

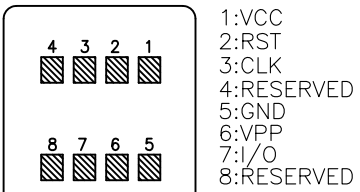
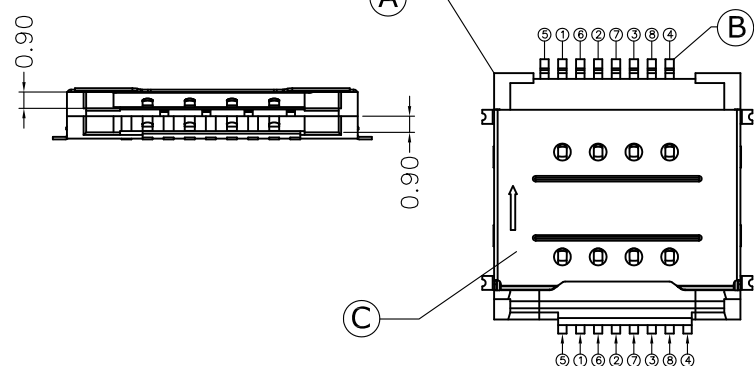
A	Housing	LCP UL94V-0 Black
B	Contact	Phosphor Bronze C5210,Gold Flash
C	Shell	Stainless Steel SUS304,Nickel Plating Gold Flash Plating on Solder Tail

D	
E	
F	
G	



**SPECIFICATION:**

- 1. ELECTRICAL**
  - 1.1 Current Rating: 0.5A per pin
  - 1.2 Voltage Rating: 100V AC/DC
  - 1.3 Contact Resistance: 50mΩ
  - 1.4 Insulation Resistance: 1000MΩ
  - 1.5 Dielectric Withstanding Voltage: 500VAC
- 2. MECHANICAL**
  - 2.1 Durability: 5000 Cycle
- 3. ENVIRONMENTAL**
  - 3.1 Operating temperature range: -40°C~+85°C
  - 3.2 Storage temperature range: -40°C~+85°C
- 4. SOLDER ABILITY**
  - 4.1 Recommended IR Reflow Temperature: 260°C 10sec



P1	P2	P3	P4	P5	P6	P7	P8	P9	P10	P11	P12
PIN ASSIGNMENT											
PRODUCT NO. DESCRIPTION											

UNLESS OTHERWISE SPECIFIED TOLERANCE		DRAWN NAME:	
ANGLES	ANG. ±5°	SIM Card Socket Dual Port Type	
LINEAR	0. ±0.3	PRODUCT NO.	115H-BA00
	0.0 ±0.25	FILE NAME	115H-BA00_B_7
	0.00 ±0.20		
SCALE	AS SHOWN	UNIT:	mm
DRAWN	Willis	DATE	2012/10/22
CHECKED	Angel	DATE	2012/10/22
APPROVED	Ken	DATE	2012/10/22
SIZE	A4	REV.	1.0



www.attend.com.tw

REV.	DESCRIPTION	DATE	REV.	DESCRIPTION	DATE
1			4		
2			5		
3			6		

- △ Revise:
- △ Revise:
- △ Revise: