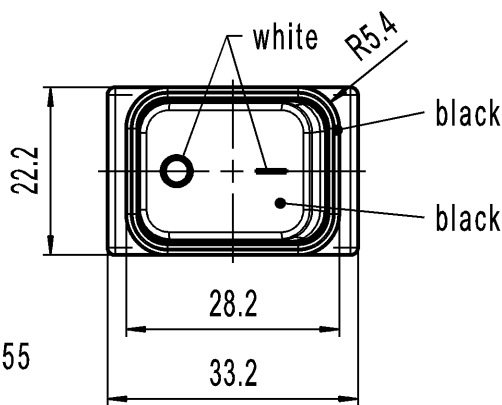
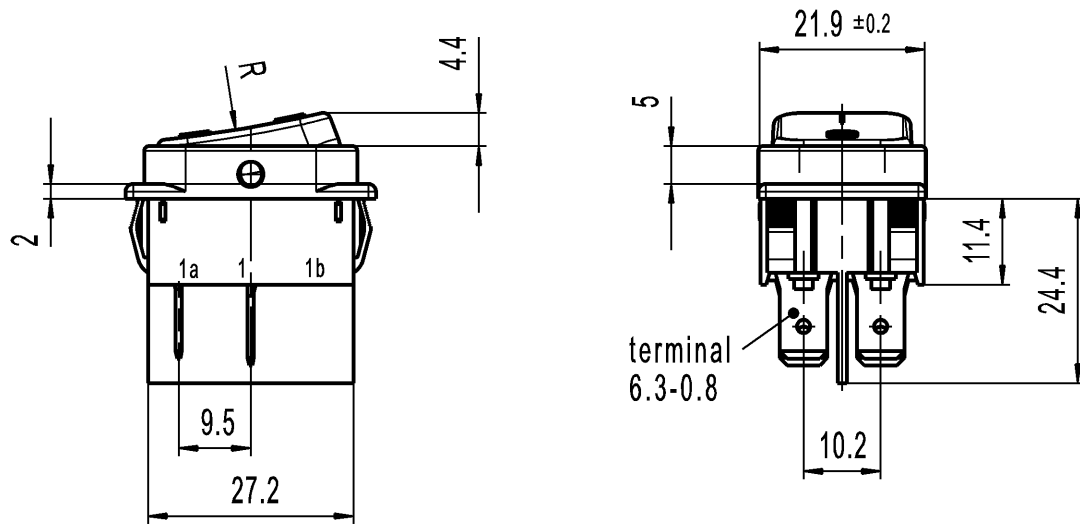


CONFIDENTIAL

VERTRAULICH

THIS DRAWING IS THE EXCLUSIVE PROPERTY OF MARQUARDT. WITHOUT THEIR CONSENT IT MAY NOT BE REPRODUCED OR GIVEN TO THIRD PARTIES.

	1	2	3	4
A	recommended cut-out for snap-in fixing (edge opposite to snap-in direction)	wall thickness	length of cut-out	width of cut-out
		0.75 to 1.25	30.0 -0.1	22 +0.2
		1.25 to 2	30.2 -0.1	22 +0.2
		2 to 3	30.6 -0.1	22 +0.2

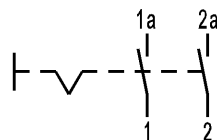


Marking:

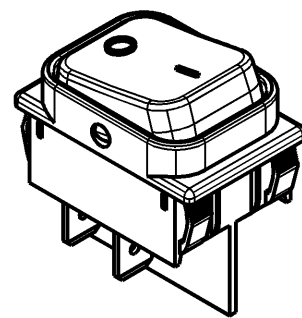
1832.
 10(8)/250~5E4
 20(4)/250~ T105/55
 5/120A 250V~



16A 125-250V AC
 1/3HP 125V AC
 1HP 250V AC
 R11



DPST
 Suitable for appliances of class II



Code of manufacture: place/year/week

-	-	-	1832.8112-XX
Figure	Type	Customer Part No.	Art.No.-PI
Shape and location	Angle $\pm 2^\circ$	Sheet 01	Ident. K
	Edge tolerance	Format DIN A4	Document number 18328112
	Length	Projection	Index f
	Radii	Scale 1:1	Appliance Switch
		All dimensions are in millimetres	
f	138977	2021-10-21	
e	64507	2009-11-11	
d	39880	2004-04-19	
c	23781	1996-03-13	
Index	MEC-No.	Date (YYYY-MM-DD)	
		Edited by	System NX V1872
			Replacement of Zg.gl.Nr.v.13.03.1996

Alle Rechte bei Marquardt, auch fuer den Fall von Schutzrechtsanmeldungen. Jede Veruegungsbefugnis, wie Kopier- und Weitergaberecht, bei uns.