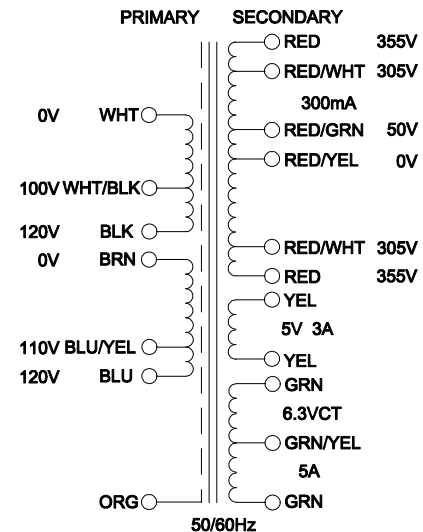
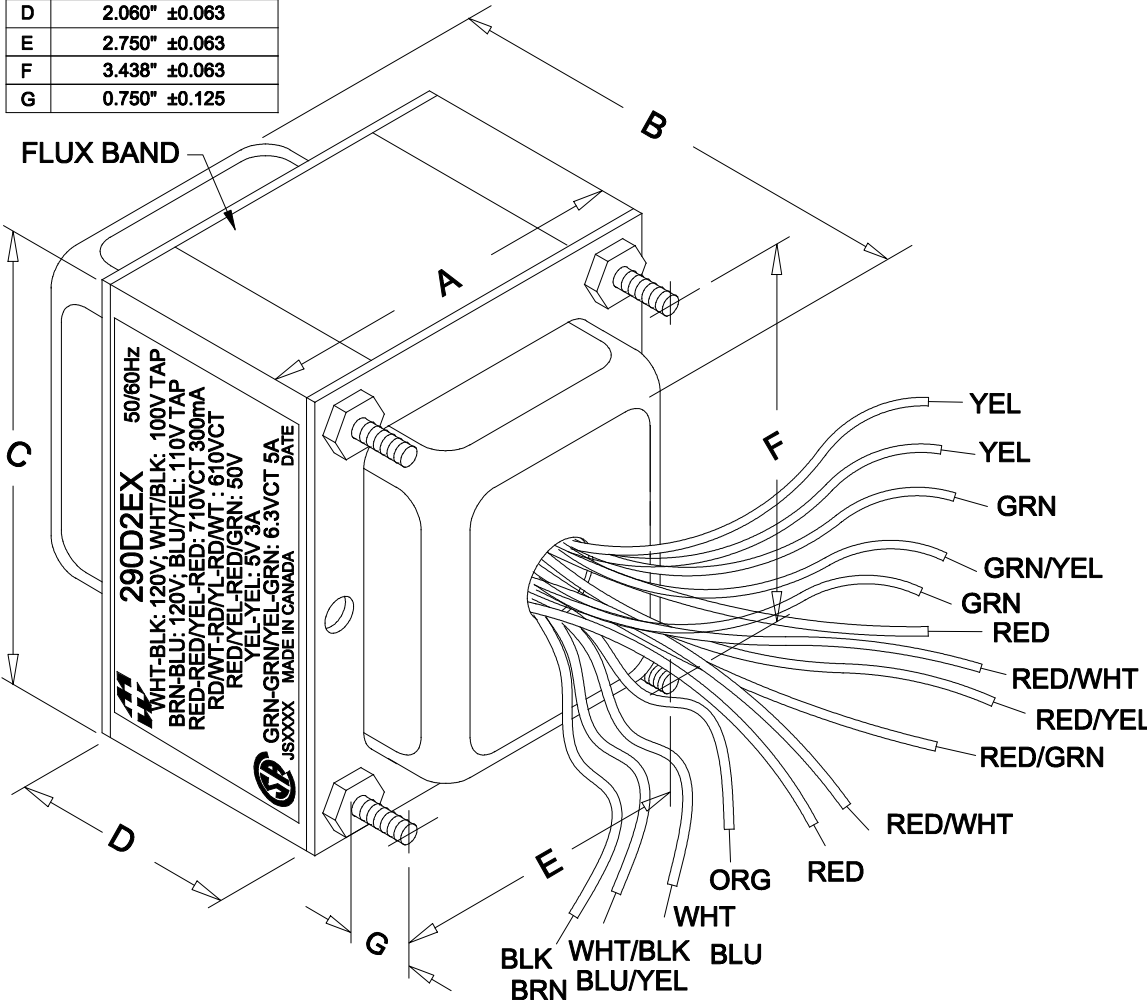


DIMENSIONS:	
A	3.438" ±0.063
B	4.185" ±0.125
C	4.125" ±0.063
D	2.060" ±0.063
E	2.750" ±0.063
F	3.438" ±0.063
G	0.750" ±0.125



ELECTRICAL DATA:		
TESTS	CONDITIONS	ACCEPTANCE CRITERIA
Iex	@ 120V, 60Hz, WHT - BLK	335mA Max.
Sec. N.L.V	@ 120V, 60Hz, WHT - BLK	
	WHT - WHT/BLK =	100.0V ±2%
	BRN - BLU/YEL =	110.0V ±2%
	BRN - BLU =	120.0V ±2%
	RED - RED/YEL = RED/YEL - RED =	373.4V ±2%
	RD/WT - RD/YL = RD/YL - RD/WT =	320.6V ±2%
	RED/GRN - RED/YEL =	52.78V ±2%
	RED - RED =	746.7V ±2%
	YEL - YEL =	5.556V ±2%
	GRN - GRN/YEL = GRN/YEL - GRN =	3.334V ±2%
	GRN - GRN =	6.667V ±2%
DCR	@ 20°C, WHT - BLK =	2.233 Ω ±20%
	@ 20°C, BRN - BLU =	2.428 Ω ±20%
	@ 20°C, RED - RED =	54.10 Ω ±20%
	@ 20°C, RD/WT - RD/WT =	45.99 Ω ±20%
	@ 20°C, YEL - YEL =	0.043 Ω ±20%
	@ 20°C, GRN - GRN =	0.034 Ω ±20%
HIPOT	PRIMARY - SECONDARY	3000V, 60Hz, 1 SEC

NOTE: ALL LEADS 13" OUT MIN., STRIPPED .5"

REV.#	REVISION	DATE
0	RELEASED.	C.I. 03/13/19

HAMMOND ELECTRONIC DIVISION
MANUFACTURING 52 RANKIN PLACE, WATERLOO, ONTARIO, N2J 3Z5
 PH # (519) 886-6181 FAX # (519) 886-9540

DWG. BY: C. ILIE	CHK'D BY:	TITLE: POWER TRANSFORMER	DWG. NO. 290D2EX
DATE: 03/13/19	APP'D. BY:		
	DIMENSIONS: IN(X) MM()		