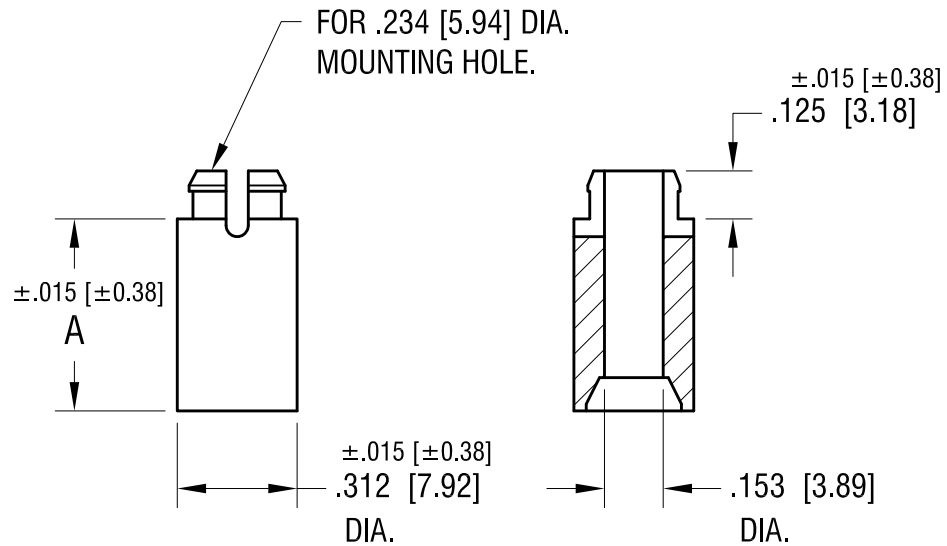


THIS DOCUMENT IS THE PROPERTY OF  
KEYSTONE ELECTRONICS CORP. AND  
SHALL NOT BE REPRODUCED, DISTRIBUTED  
OR USED AS A BASIS FOR MANUFACTURE  
WITHOUT PRIOR WRITTEN PERMISSION  
FROM KEYSTONE ELECTRONICS CORP.



PART NO.	'A' DIM.
8835	.250 [6.35]
8836	.375 [9.53]
8837	.500 [12.70]
8838	.625 [15.88]

11.04.09	CHANGE AS PER ECN 09-159	D
6.24.08	CHANGE AS PER ECN 08-112	C
12.29.99	CHANGE AS PER ECN 99-106	B
1.19.99	CHANGE AS PER ECN 99-008	A
DATE	DESCRIPTION	REV.

<b>KEYSTONE ELECTRONICS CORP.</b>			
www.keyelco.com • ASTORIA, N.Y. 11105-2017 • Tel (718) 956-8900			
PART NAME		STACKING SPACER	
MATERIAL		NYLON UL 94V-0	
FINISH	-	DRN BY	BOONE
		DATE	5.11.95
		APP'D	LN
		SCALE	2X
TOLERANCES	INCH [MM]	CODE	DWG NO.
DECIMAL	$\pm .005$ [ $\pm 0.15$ ]	C/M	<b>8835-8838</b>
ANGULAR	$\pm 1^\circ$		
UNLESS OTHERWISE SPECIFIED			