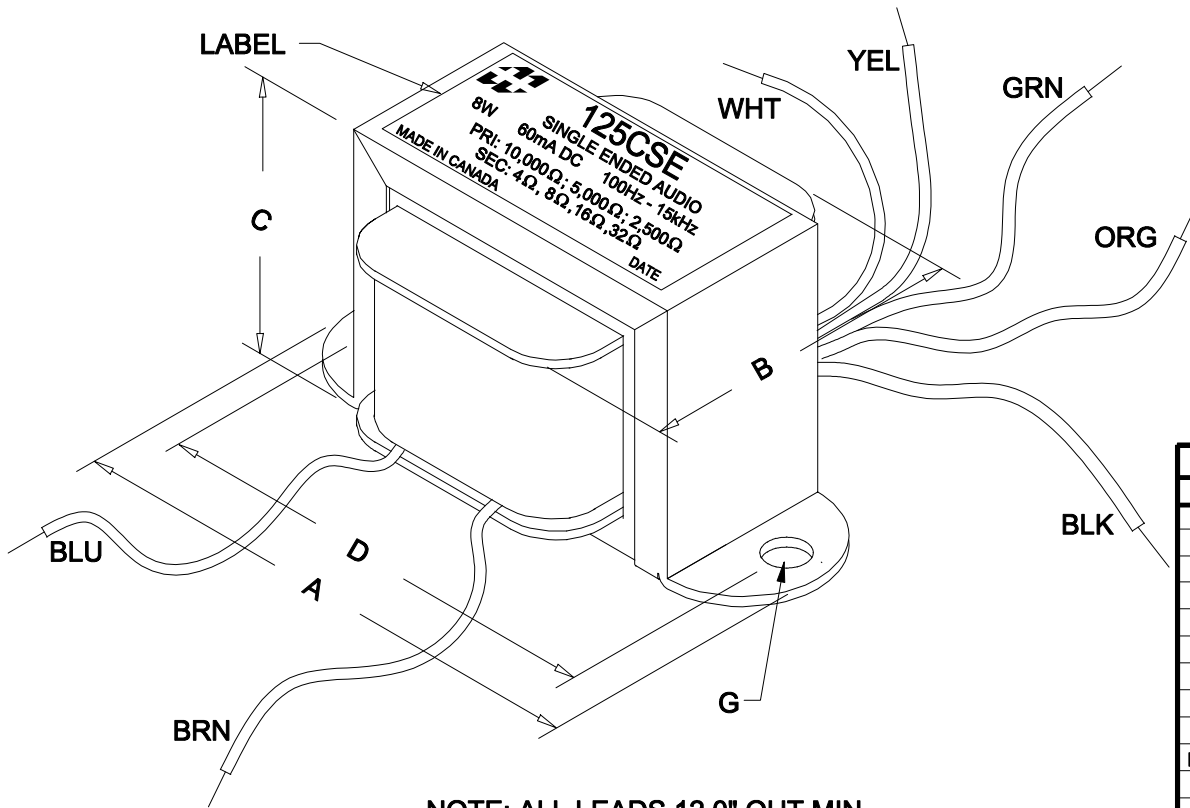
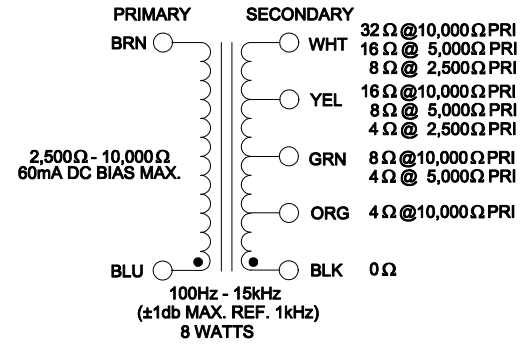


DIMENSIONS:	
A	3.688" ±0.063
B	1.970" ±0.125
C	2.308" ±0.063
D	3.125" ±0.063
G	0.187" ±0.015



ELECTRICAL DATA:		
TESTS	CONDITIONS	ACCEPTANCE CRITERIA
Iex	@ 240V, 100Hz, BLU - BRN	20.8mA - 27.5mA
Sec. N.L.V	@ 141.4V, 100Hz, BLU - BRN	
	BLK - ORG =	2.840V ±2%
	BLK - GRN =	4.023V ±2%
	BLK - YEL =	5.680V ±2%
	BLK - WHT =	8.046V ±2%
DCR	@ 20°C, BLU - BRN =	200.0 Ω ±20%
	@ 20°C, BLK - WHT =	0.600 Ω ±20%
HIPOT	PRIMARY - SECONDARY	1500V, 60Hz, 1 SEC

REV.#	REVISION	DATE	HAMMOND ELECTRONIC DIVISION		52 RANKIN PLACE, WATERLOO, ONTARIO, N2J 3Z5		PH # (519) 886-6181
0	RELEASED.	C.I. 07/20/16	MANUFACTURING™				FAX # (519) 886-9540
			DWG. BY: C. ILIE	CHK'D BY:	TITLE: SINGLE ENDED	DWG. NO.	
			DATE: 07/20/16	APP'D. BY:	AUDIO TRANSFORMER	125CSE	
				DIMENSIONS: IN(X) MM( )			