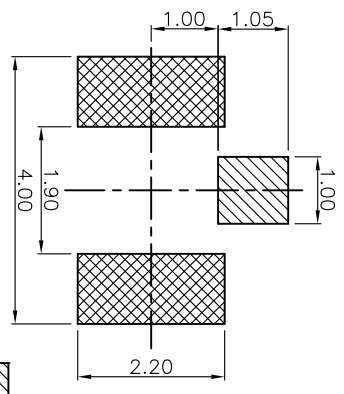
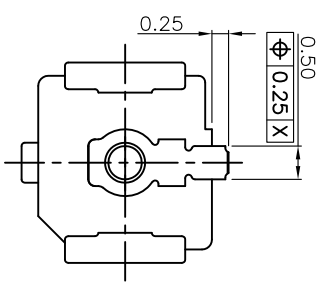
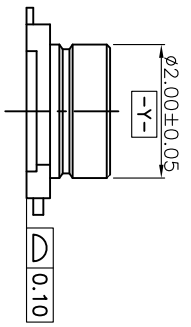
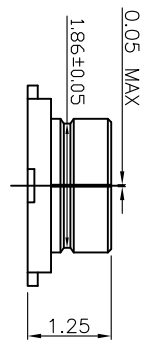
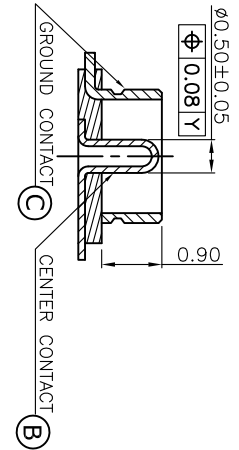
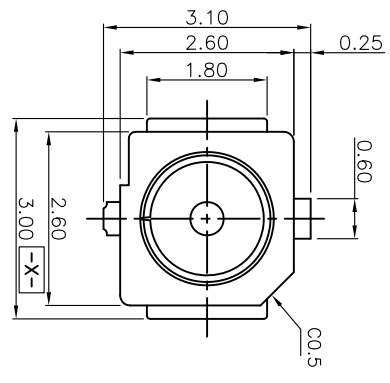


SWITCH CIRCUIT

MATERIAL AND FINISH AS BELOW

WHEN CARD IS EJECTED	WHEN CARD IS INSERTED	A Housing	LCP UL94V-0, Color: Ivory	E
		B Contact	Brass CZ680, Gold Flash	F
		C Ground	Phosphor Bronze, Gold Flash	G
		D		H



**SPECIFICATION:**

**1. ELECTRICAL**

- 1.1 Current Rating: **1A**
- 1.2 Voltage Rating: **60VAC**
- 1.3 Contact Resistance:
  - Inner Contact | Initially: 20mΩ
  - Ground Contact | Initially: 10mΩ
- 1.4 Insulation Resistance: **500MΩ**
- 1.5 Dielectric Withstanding Voltage: **200VAC for 1 minute**
- 1.6 VSWR: **100MHz to 3GHz | 1.3Max**  
**3GHz to 6GHz | 1.4Max**
- 1.7 Nominal Characteristic Impedance : **50Ω**
- 1.8 Applicable Frequency: **100MHz to 6GHz**

**2. MECHANICAL**

- 2.1 Durability: **30 cycle**

**3. ENVIRONMENTAL**

- 3.1 Operating temperature range: **-40°C to +85°C**
- 3.2 Storage temperature range: **-40°C to +85°C**

**4. SOLDER ABILITY**

- 4.1 Recommended IR Reflow Temperature: **260°C**

PRODUCT NO.	DESCRIPTION
MRF1	MRF1, Contact Area: Gold Flash

PIN ASSIGNMENT

PRODUCT NO.	DESCRIPTION
MRF1	MRF1, Contact Area: Gold Flash



www.attend.com.tw

DRAWN NAME: Micro Coaxial RF Connector 1.25mm Hight

REV.	DESCRIPTION	DATE	REV.	DESCRIPTION	DATE	SIZE	REV.	FILE NAME
1			4			A4	1.0	321A-33125_B_1