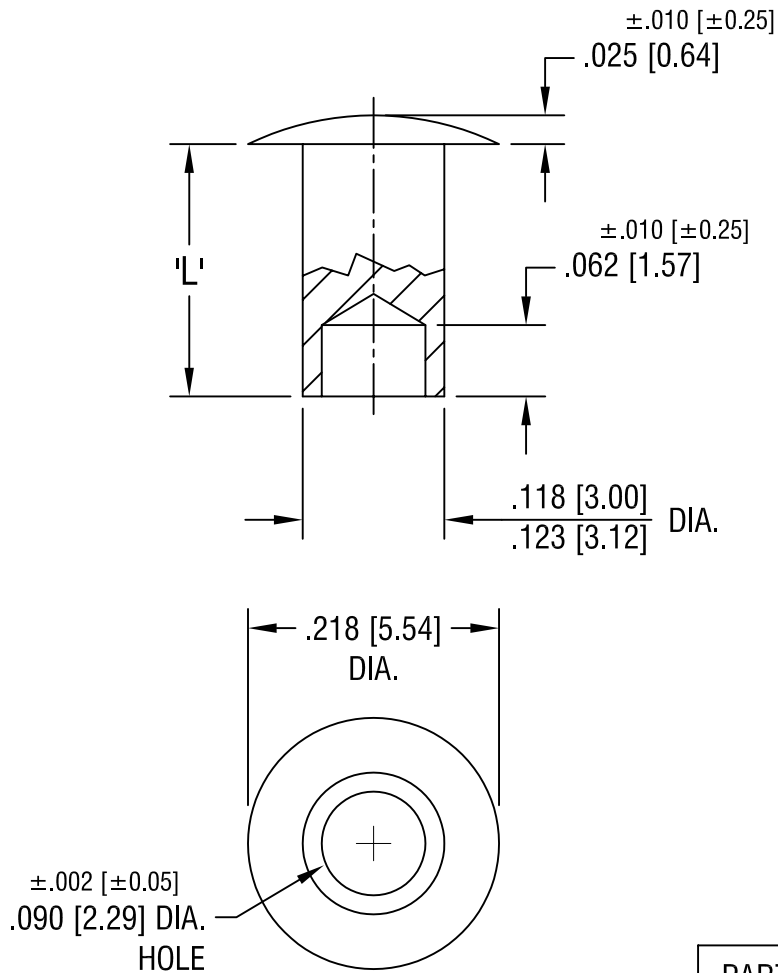


THIS DOCUMENT IS THE PROPERTY OF  
KEYSTONE ELECTRONICS CORP. AND  
SHALL NOT BE REPRODUCED, DISTRIBUTED  
OR USED AS A BASIS FOR MANUFACTURE  
WITHOUT PRIOR WRITTEN PERMISSION  
FROM KEYSTONE ELECTRONICS CORP.



PART NO.	'L' DIM.
3388	.156 [3.96]
3389	.187 [4.75]
3390	.218 [5.54]
3391	.250 [6.35]

<b>KEYSTONE ELECTRONICS CORP.</b>			
ASTORIA, N.Y. 11105-2017			
PART NAME RIVET, SEMI-TUBULAR			
MATERIAL BRASS			
FINISH DUCTILE NICKEL PLATE		DRN BY BOONE	DATE 8.26.82
		APP'D LN	SCALE 6X
TOLERANCES INCH [MM] DECIMAL $\pm .005$ [ $\pm 0.15$ ] ANGULAR $\pm 1^\circ$ UNLESS OTHERWISE SPECIFIED		CODE C/M	DWG NO. <b>3388-3391</b>

2.26.08	CHANGE AS PER ECN 08-090	A
DATE	DESCRIPTION	REV.