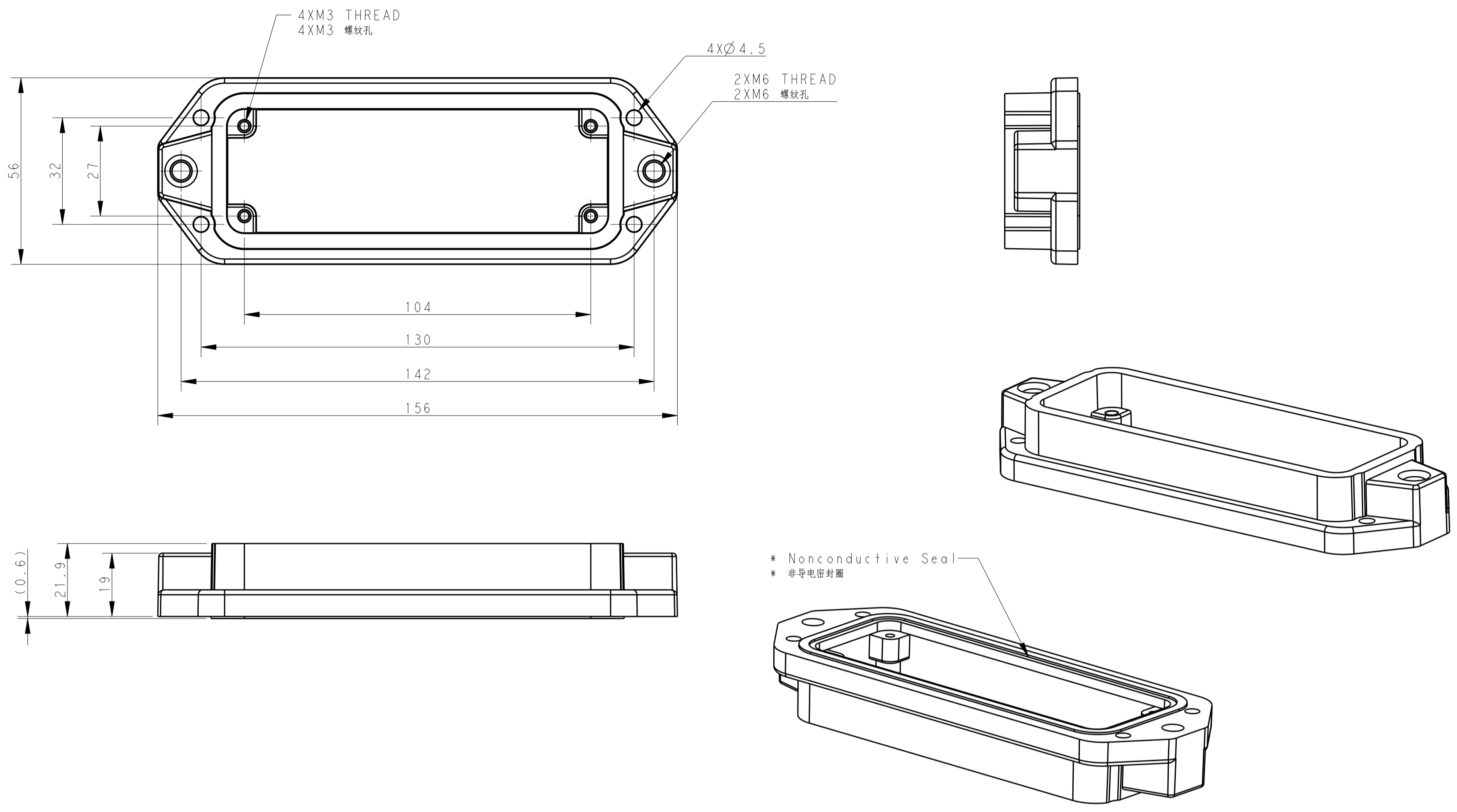


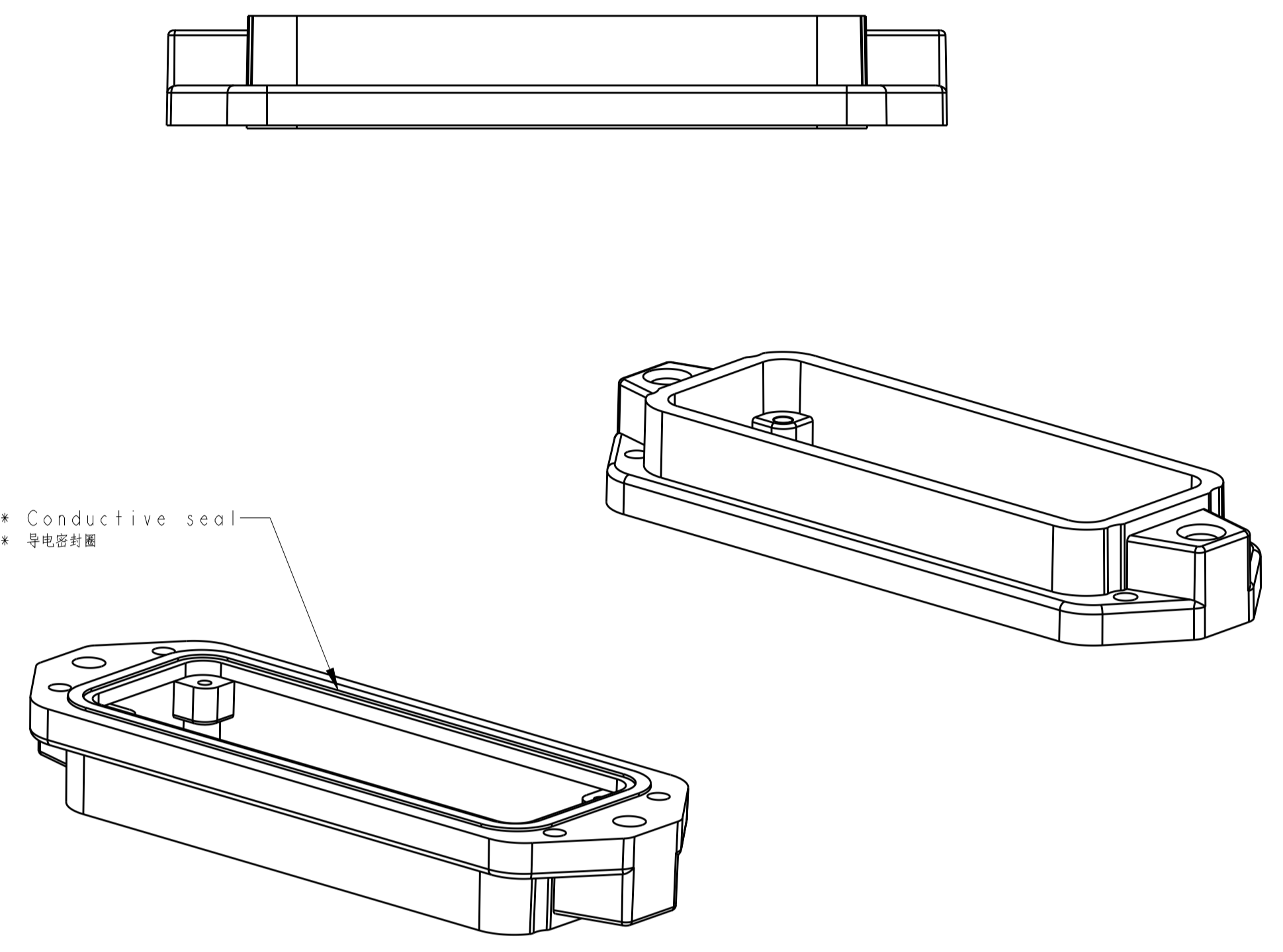
TYPE 1 类型 1

With nonconductive seal / 带非导电密封圈



TYPE 2 类型 2

With conductive seal / 带导电密封圈

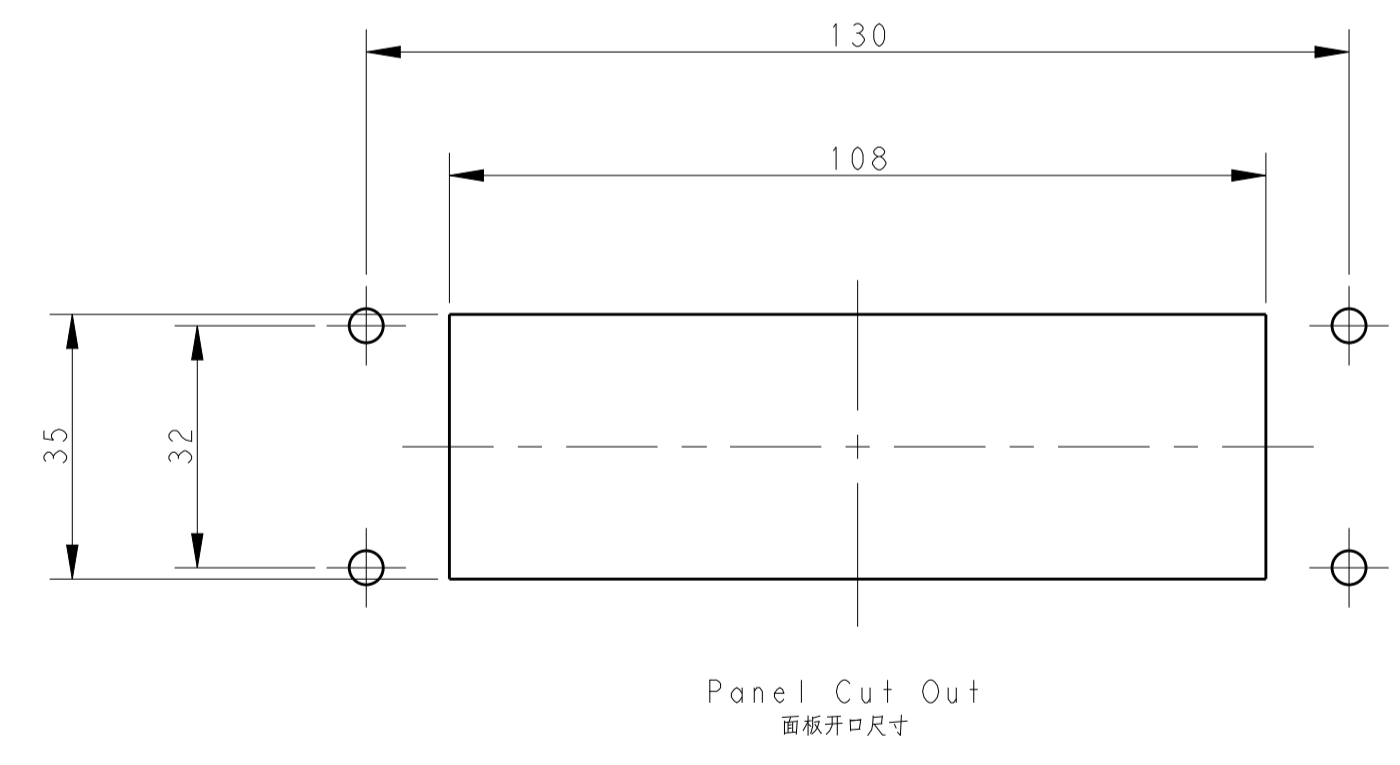
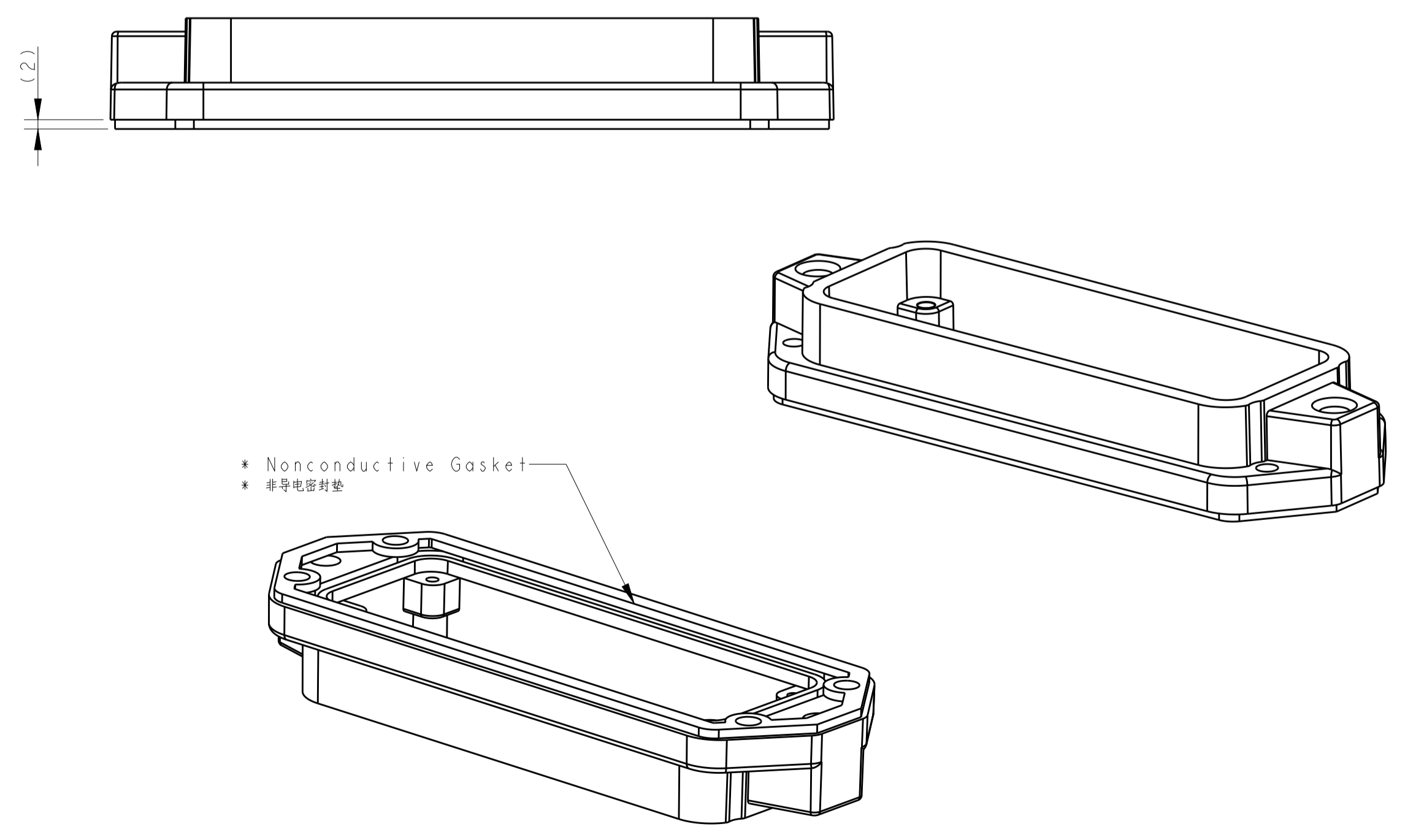


All dimension is same as TYPE 1, except those defined in this TYPE
 除了在本类型中定义的尺寸外, 其他尺寸同类型 1

REVISIONS				
P	LTN	DESCRIPTION	DATE	DWN APVD
A		INITIAL RELEASE	17JUN2015	GY CW
B		ECR-16-007814	31MAY2016	GY CW
B1		ECR-18-010109	26JUN2018	CD CW

TYPE 3 类型 3

With nonconductive gasket / 带非导电密封垫



NOTES:
 1. TECHNICAL CHARACTERISTICS:
 HOUSING MATERIAL: DIE CAST ALUMINIUM ALLOY
 SURFACE TREATMENT: SEE TABLE
 DEGREE OF PROTECTION: IP68 (MATED)

注释
 1. 技术参数:
 壳体材料: 铝合金
 表面处理: 见表格
 防护等级: IP68 (配合)

All dimension is same as TYPE 1, except those defined in this TYPE
 除了在本类型中定义的尺寸外, 其他尺寸同类型 1

PART NUMBER 零件料号	ASSEMBLY PART DESCRIPTION 成品描述	TYPE 类型
T1932241001-000	H24BPR HOUSING, CENTER LOCKING, BULKHEAD MOUNTED, POWDER COATED, SILVER WHITE, SEAL FIXED BY GLUE H24BPR 下壳, 中脚锁定, 开孔安装, 银白色粉末喷涂, 密封胶	TYPE 3 类型 3
T1932241000-100	H24BPR HOUSING, CENTER LOCKING, BULKHEAD MOUNTED, POWDER COATED, SILVER WHITE, CONDUCTIVE SEALING H24BPR 下壳, 中脚锁定, 开孔安装, 银白色粉末喷涂, 导电密封圈	TYPE 2 类型 2
T1932240000-100	H24BPR HOUSING, CENTER LOCKING, BULKHEAD MOUNTED, POWDER COATED, BLACK, CONDUCTIVE SEALING H24BPR 下壳, 中脚锁定, 开孔安装, 黑色粉末喷涂, 导电密封圈	
T1932242000-000	H24BPR HOUSING, CENTER LOCKING, BULKHEAD MOUNTED, POWDER COATED, GREY H24BPR 下壳, 中脚锁定, 开孔安装, 灰色粉末喷涂	TYPE 1 类型 1
T1932241000-000	H24BPR HOUSING, CENTER LOCKING, BULKHEAD MOUNTED, POWDER COATED, SILVER WHITE H24BPR 下壳, 中脚锁定, 开孔安装, 银白色粉末喷涂	
T1932240000-000	H24BPR HOUSING, CENTER LOCKING, BULKHEAD MOUNTED, POWDER COATED, BLACK H24BPR 下壳, 中脚锁定, 开孔安装, 黑色粉末喷涂	
T1932242000-100	H24BPR HOUSING, CENTER LOCKING, BULKHEAD MOUNTED, POWDER COATED, DEEP GREY H24BPR 下壳, 中脚锁定, 开孔安装, 深灰色粉末喷涂	

THIS DRAWING IS A CONTROLLED DOCUMENT.		DWN Gino_Yao 17JUN2015	TE Connectivity
DIMENSIONS:		CHK Chris.Wong 17JUN2015	
mm	TOLERANCES UNLESS OTHERWISE SPECIFIED:	APVD Xiaoq.Yu 17JUN2015	NAME H24BPR-AGC
0 PLC ±	0 PLC ±	PRODUCT SPEC	SIZE 108-137014
1 PLC ±	1 PLC ±	APPLICATION SPEC	SCALE 1:1
2 PLC ±	2 PLC ±	WEIGHT	SHEET 1 OF 1
3 PLC ±	3 PLC ±	RESTRICTED TO	REV B1
4 PLC ±	4 PLC ±		
5 PLC ±	5 PLC ±		
6 PLC ±	6 PLC ±		
7 PLC ±	7 PLC ±		
8 PLC ±	8 PLC ±		
9 PLC ±	9 PLC ±		
ANGLES	FINISH	Customer Drawing	