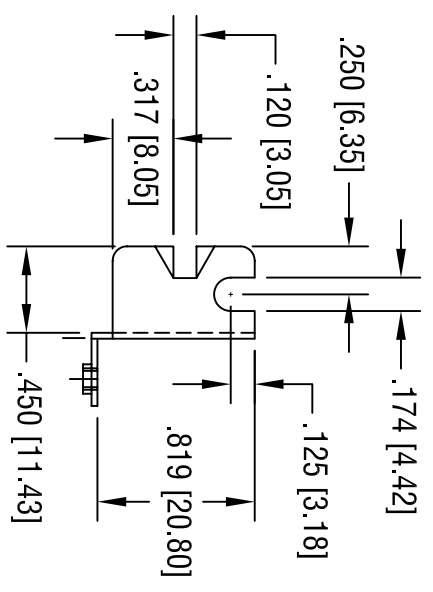
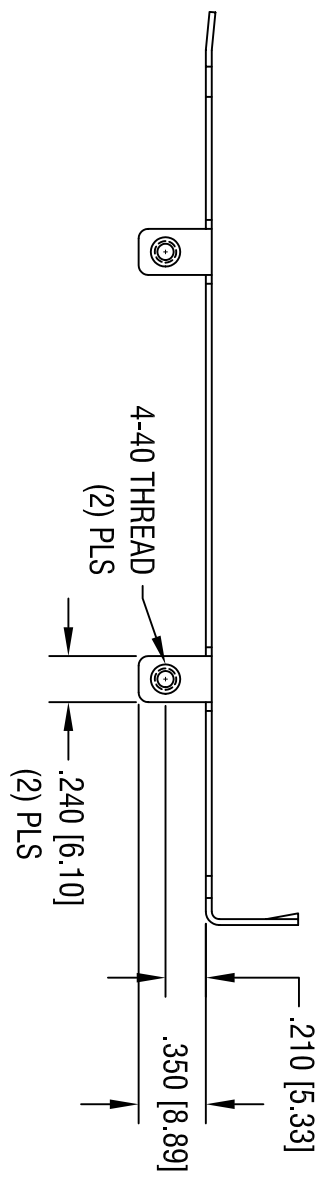
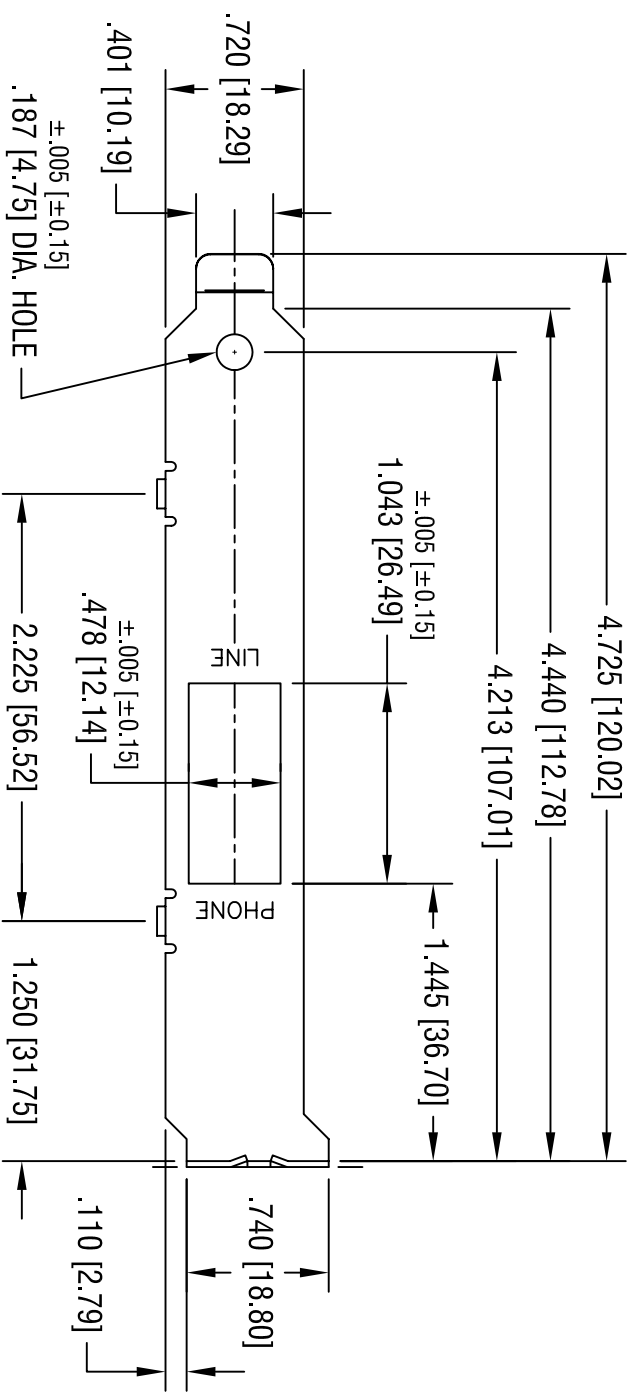


DATE	DESCRIPTION	REV.



THIS DOCUMENT IS THE PROPERTY OF KEYSTONE ELECTRONICS CORP. AND SHALL NOT BE REPRODUCED, DISTRIBUTED OR USED AS A BASIS FOR MANUFACTURE WITHOUT PRIOR WRITTEN PERMISSION FROM KEYSTONE ELECTRONICS CORP.

KEYSTONE ELECTRONICS CORP.			
ASTORIA, N.Y. 11105-2017			
PART NAME		COMPUTER BRACKET	
MATERIAL		.032 [0.81] THK STEEL	
FINISH		NICKEL PLATE	
TOLERANCES		INCH [MM]	
DECIMAL		± .015 [± 0.38]	
ANGULAR		± 1°	
UNLESS OTHERWISE SPECIFIED		C	
DRAWN BY		BOONE	
DATE		6.15.98	
DWG NO.		9202-1	
SCALE		1X	