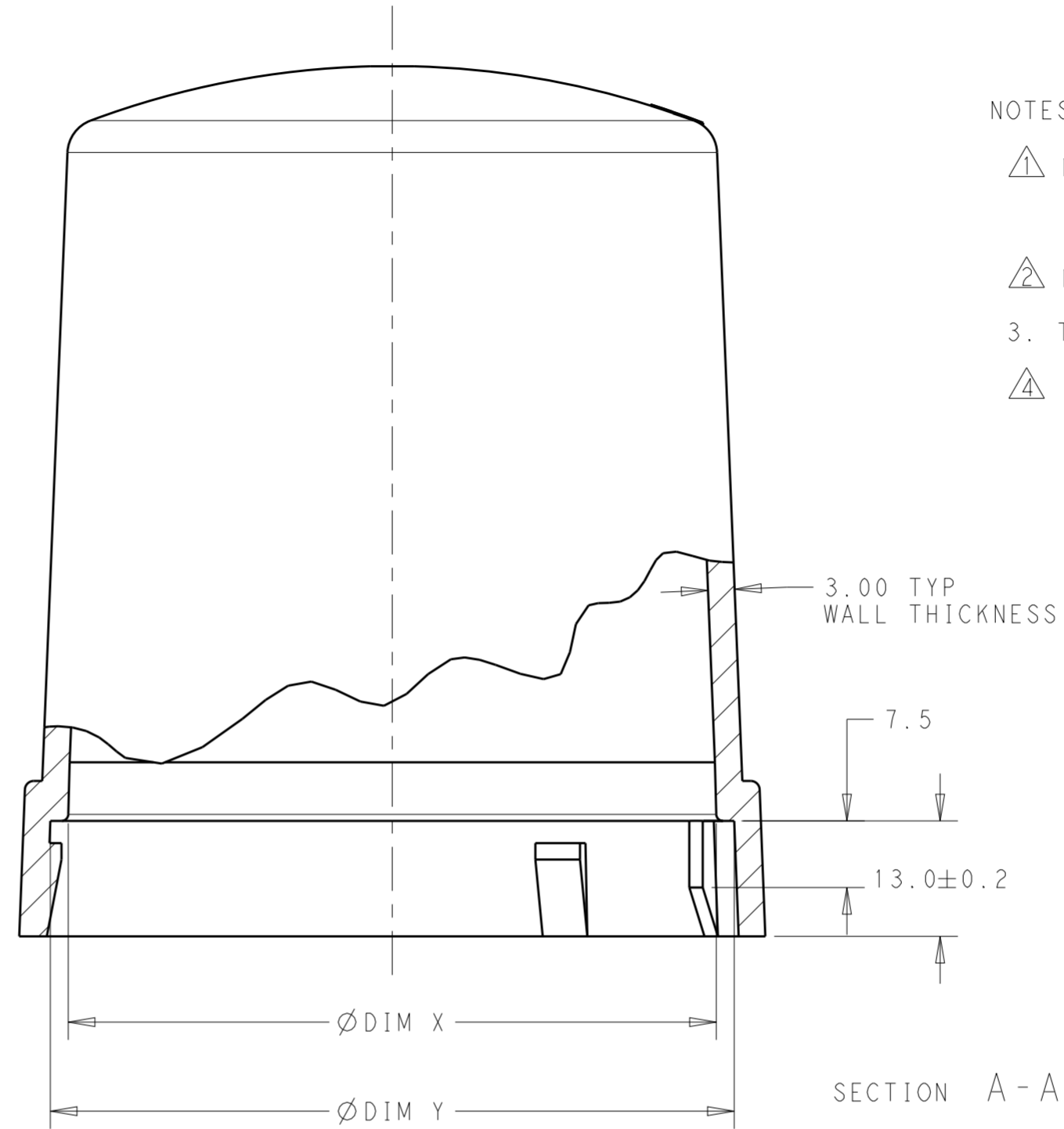
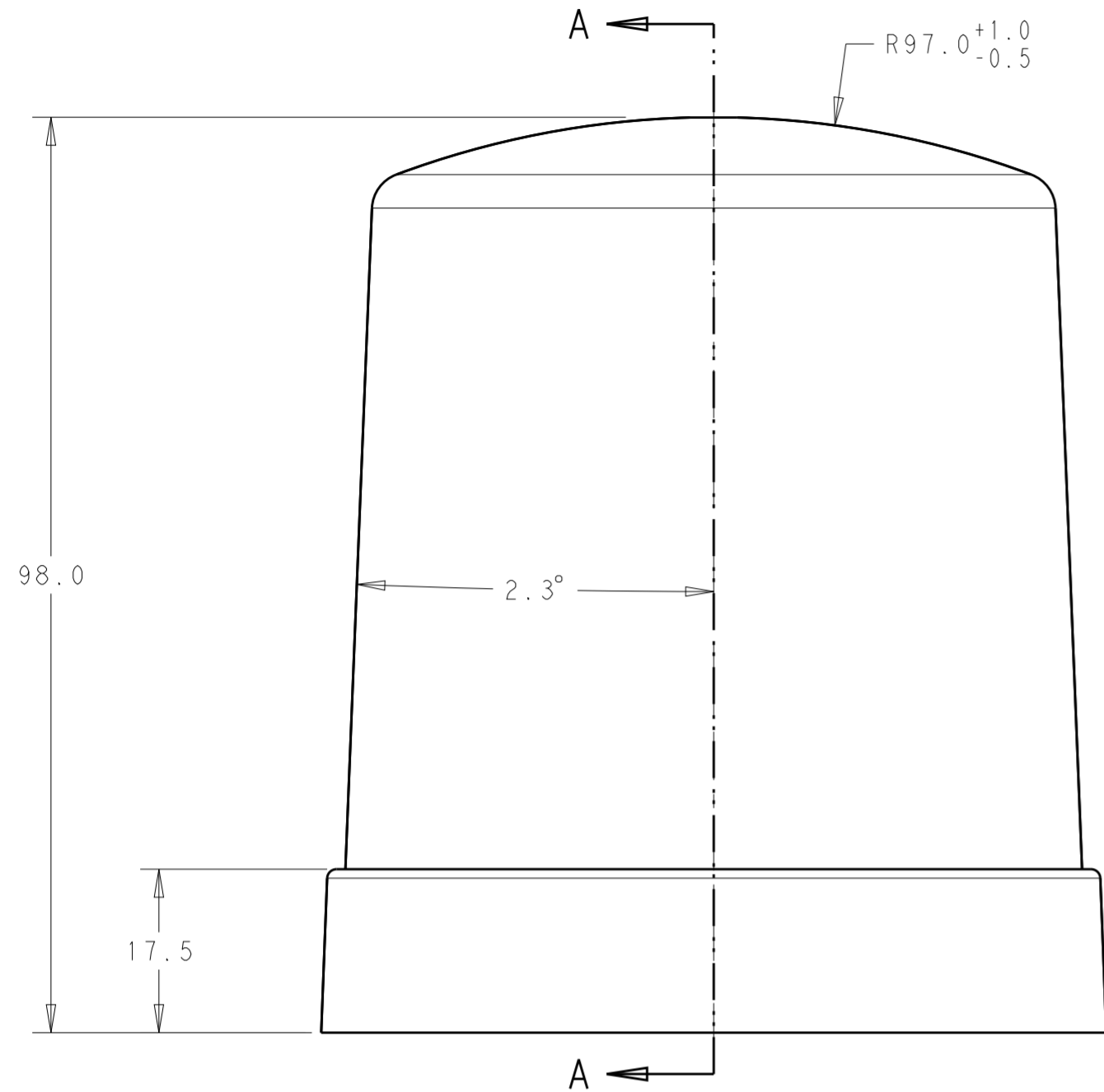


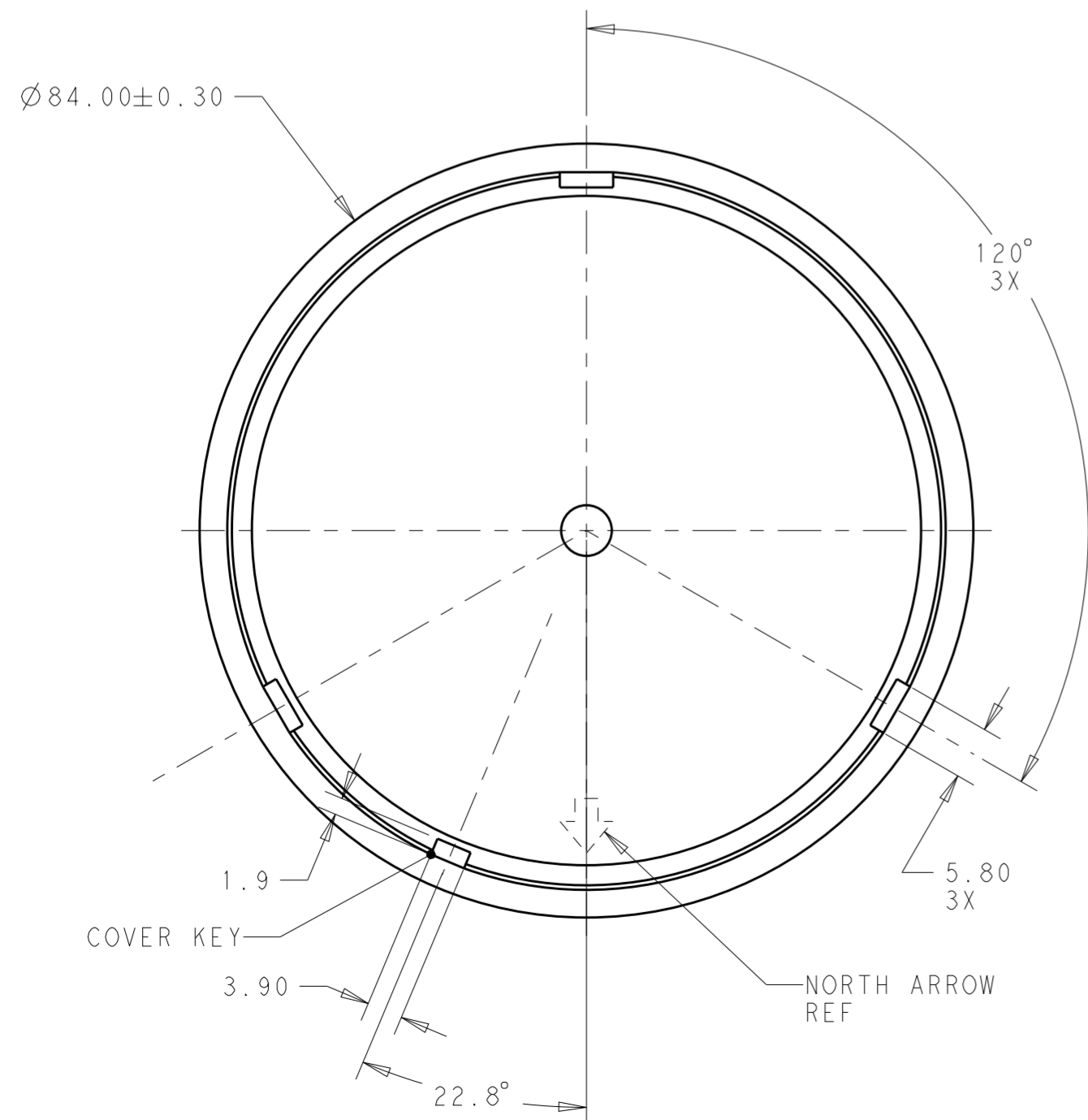
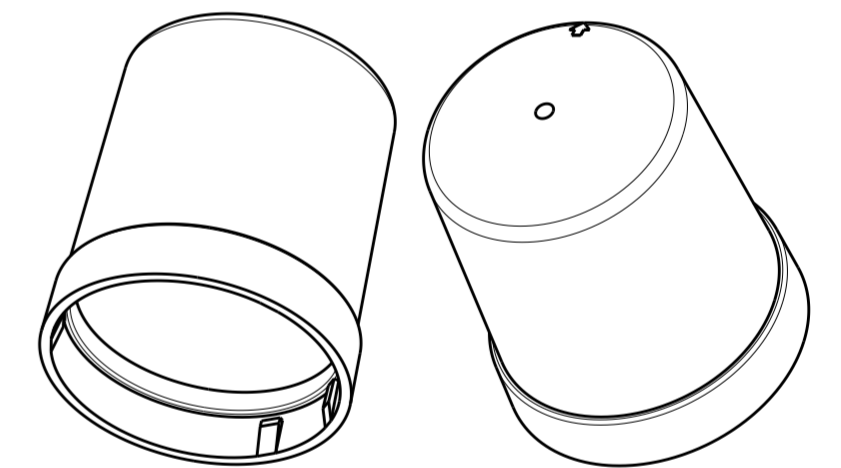
THIS DRAWING IS UNPUBLISHED. RELEASED FOR PUBLICATION 20  
 © COPYRIGHT 20 BY - ALL RIGHTS RESERVED.

REVISIONS				
P	LTR	DESCRIPTION	DATE	APVD
A		REVISED PER ECR-16-006614	10MAY2016	RS DD
A1		REVISED PER ECR-16-008842	22JUN2016	RS DD



NOTES:

- 1 MATERIALS:  
HOUSING: POLYCARBONATE, UV 5VA RATED  
COLOR: SEE TABLE
- 2 MATING BASE TE P/N: 2213730-X
- 3. THIS PRODUCT HAS NOT COMPLETED VALIDATION TESTING.
- 4 NOT PRODUCTION TOOLED.



78%	TRANSPARENT CLEAR	Ø 77.0	Ø 73.0	1-2213748-1
24%	TRANSLUCENT SMOKE	Ø 87.0	Ø 83.0	2213748-3
	TRANSLUCENT SMOKE	Ø 81.0	Ø 77.0	2213748-2
	TRANSLUCENT SMOKE	Ø 77.0	Ø 73.0	2213748-1
APPROX LIGHT TRANSMISSION		COLOR	DIM Y	DIM X
PART NO.				

THIS DRAWING IS A CONTROLLED DOCUMENT.		DWN C. DAILY 30OCT2015	TE Connectivity	
		CHK E. HOWARD 30OCT2015		
DIMENSIONS:		NAME COVER, LIGHT CONTROLLER		
TOLERANCES UNLESS OTHERWISE SPECIFIED:		PRODUCT SPEC		
0 PLC ±		APPLICATION SPEC		
1 PLC ±0.2		WEIGHT		
2 PLC ±0.13		SCALE 3:2		
3 PLC ±		SHEET 1 OF 1		
4 PLC ±		REV A1		
ANGLES ±3°		CUSTOMER DRAWING		
FINISH				