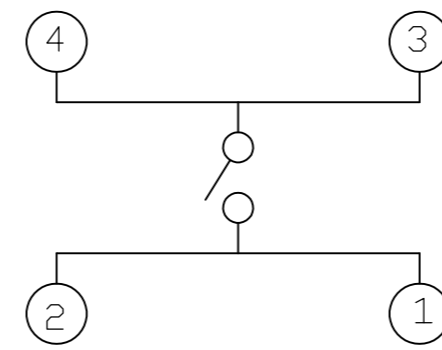
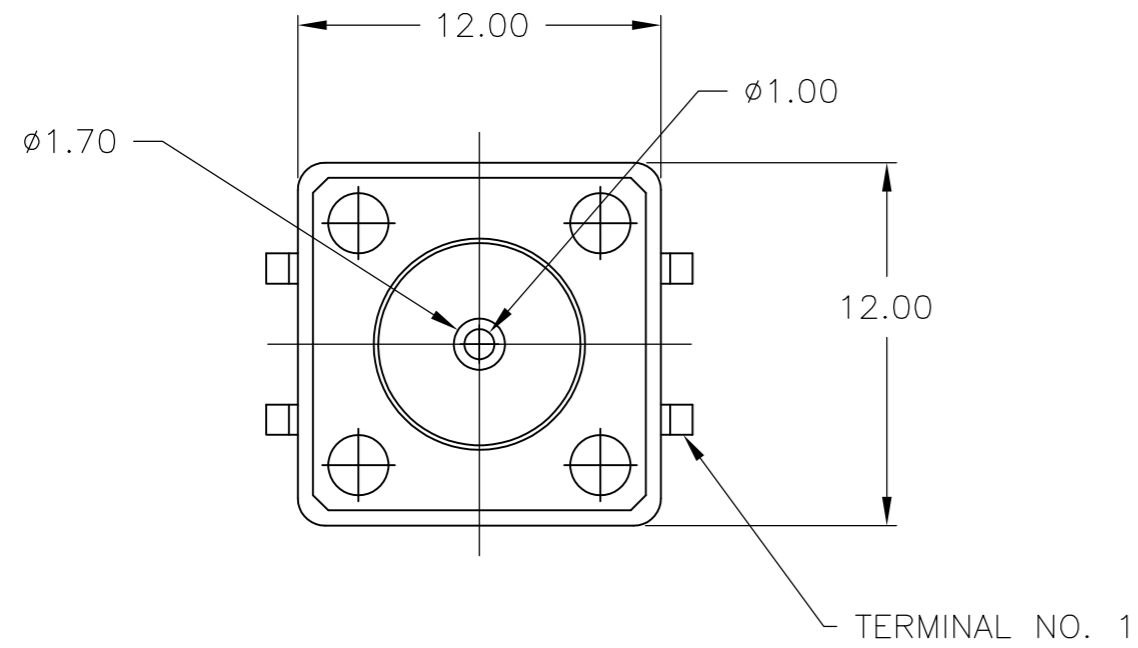


THIS DRAWING IS UNPUBLISHED. RELEASED FOR PUBLICATION
 © COPYRIGHT - By - ALL RIGHTS RESERVED.

| LOC | DIST | REVISIONS | | | |
|-----|------|-------------|---------------------------|---------|--------|
| P | LTR | DESCRIPTION | DATE | DWN | APVD |
| AD | 00 | F2 | REVISED PER ECO-11-004587 | 11MAR11 | RK HMR |



CIRCUIT DIAGRAM

SPECIFICATIONS:

MATERIALS

CASE: THERMOPLASTIC, UL94-HB, BLACK
 COVER: THERMOPLASTIC
 ACTUATOR: THERMOPLASTIC, UL94-HB, COLOR: SEE TABLE
 MOVING CONTACT: COPPER ALLOY, SILVER CLAD
 FIXED CONTACT: COPPER ALLOY, SILVER PLATED

ELECTRICAL

MAX CONTACT RATING: 50MILLIAMPS@24V DC
 MIN CONTACT RATING: 10MICROAMPS@1V DC
 INITIAL CONTACT RESISTANCE: 100 MILLIOHM MAX
 INSULATION RESISTANCE: 100 MEGOHMS MIN @ 100VDC
 DIELECTRIC STRENGTH: 500 VAC 50/60 Hz FOR 1 MINUTE
 LIFE EXPECTANCY: UP TO 100,000 CYCLES

MECHANICAL

ACTUATION FORCE: DIM "A"
 ACTUATION TRAVEL: 0.30±0.15

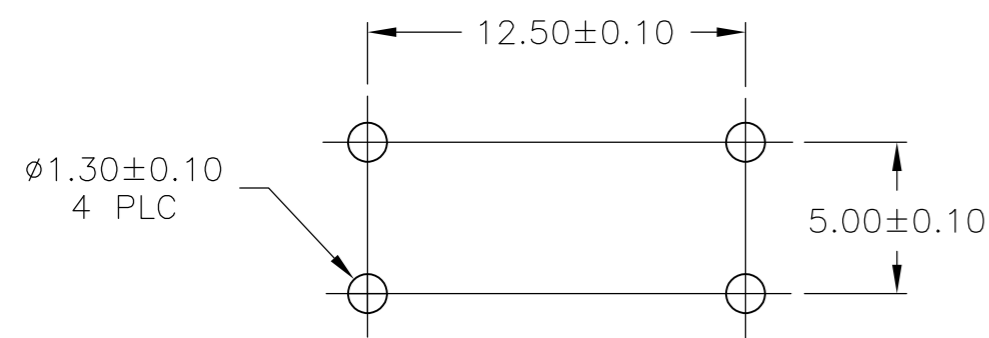
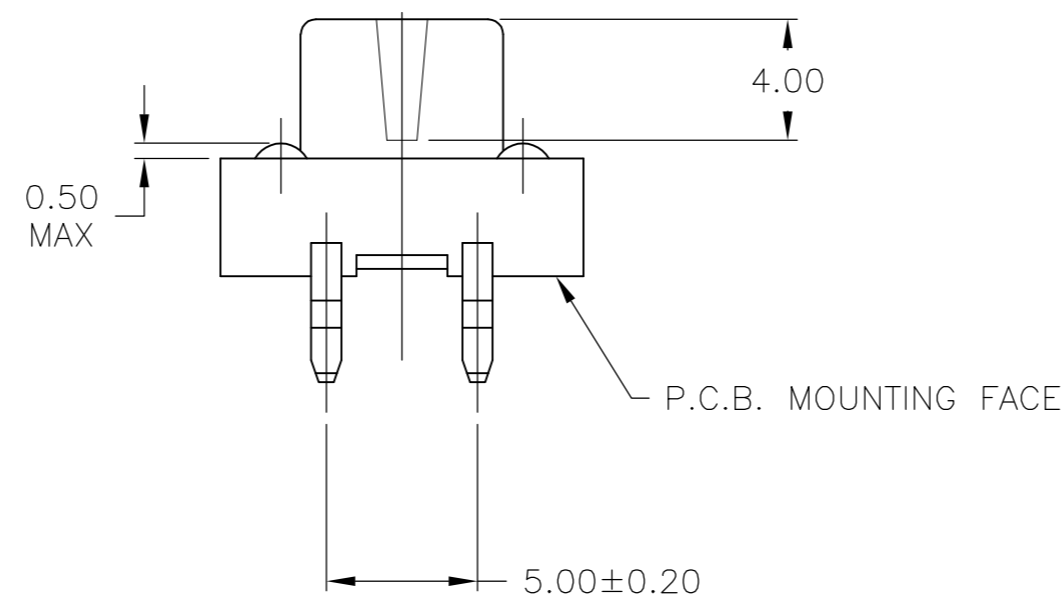
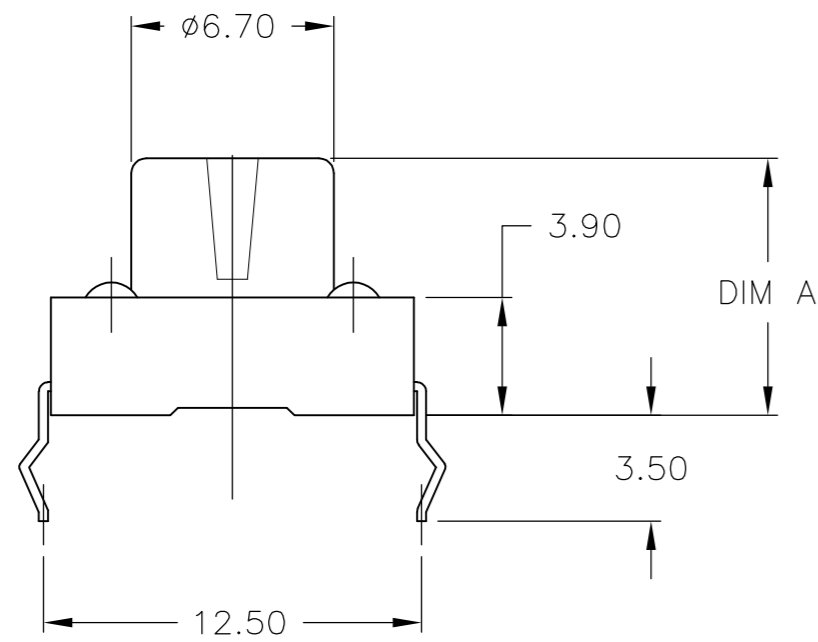
ENVIRONMENTAL

OPERATING TEMPERATURE: -35°C TO +85°C, 45% TO 85% RH
 STORAGE TEMPERATURE: -35°C TO +85°C
 RESISTANCE TO SOLDER HEAT PER 109-202, CONDITION B

SOLDERABILITY:

SPECIFICATION EIA-364-52, CLASS 1, CATEGORY 2

- ALL MATERIALS AND FINISHES SHALL COMPLY WITH EU DIRECTIVE 2002/95/EC OF 27JAN2003 ROHS



P.C.B. MOUNTING HOLE DIMENSION

| | | | | | |
|----------|----------------|---------|-----------------|---------|-----------|
| | BLACK | 7.50 | 160+/-50g | FSM101 | 1437565-3 |
| OBSOLETE | RED | 8.50 | 260+/-50g | FSM201A | 1571140-1 |
| | Actuator Color | Dim "A" | Actuation Force | T&B P/N | P/N |

| | | | | | | | | | | | | | | | | | | | | | | | |
|--|---------------------|----------------------------------|--------------|--------------------|-----------------------|--------------------|---|-------|---|---|-------|---|------|-------|---|---|-------|---|---|--------|---|---|--------|
| THIS DRAWING IS A CONTROLLED DOCUMENT. | | DWN R BROWN 06MAY02 | | | | | | | | | | | | | | | | | | | | | |
| DIMENSIONS: mm | | CHK H WYNKOOP 06MAY02 | | | | | | | | | | | | | | | | | | | | | |
| TOLERANCES UNLESS OTHERWISE SPECIFIED: | | APVD H WYNKOOP 06MAY02 | | | | | | | | | | | | | | | | | | | | | |
| <table border="1"> <tr><td>0 PLC</td><td>±</td><td>-</td></tr> <tr><td>1 PLC</td><td>±</td><td>-</td></tr> <tr><td>2 PLC</td><td>±</td><td>0.30</td></tr> <tr><td>3 PLC</td><td>±</td><td>-</td></tr> <tr><td>4 PLC</td><td>±</td><td>-</td></tr> <tr><td>ANGLES</td><td>±</td><td>-</td></tr> <tr><td>FINISH</td><td>±</td><td>-</td></tr> </table> | | 0 PLC | | | | ± | - | 1 PLC | ± | - | 2 PLC | ± | 0.30 | 3 PLC | ± | - | 4 PLC | ± | - | ANGLES | ± | - | FINISH |
| 0 PLC | ± | - | | | | | | | | | | | | | | | | | | | | | |
| 1 PLC | ± | - | | | | | | | | | | | | | | | | | | | | | |
| 2 PLC | ± | 0.30 | | | | | | | | | | | | | | | | | | | | | |
| 3 PLC | ± | - | | | | | | | | | | | | | | | | | | | | | |
| 4 PLC | ± | - | | | | | | | | | | | | | | | | | | | | | |
| ANGLES | ± | - | | | | | | | | | | | | | | | | | | | | | |
| FINISH | ± | - | | | | | | | | | | | | | | | | | | | | | |
| MATERIAL SEE NOTES | FINISH SEE NOTES | PRODUCT SPEC APPLICATION SPEC | SIZE A2 | CAGE CODE 00779 | DRAWING NO 1571140 | RESTRICTED TO - | | | | | | | | | | | | | | | | | |
| | | WEIGHT - | SCALE 4:1 | SHEET 1 of 1 | REV F2 | | | | | | | | | | | | | | | | | | |