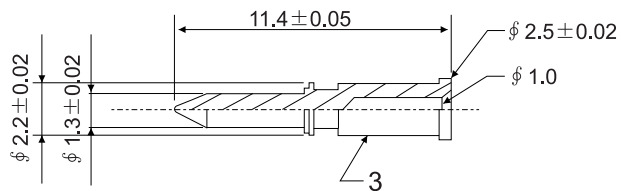
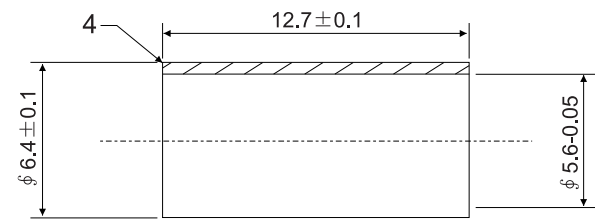
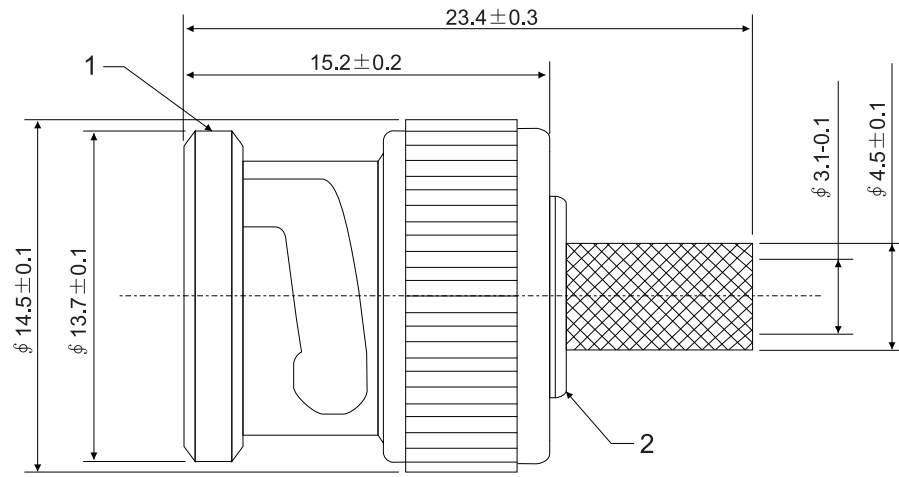
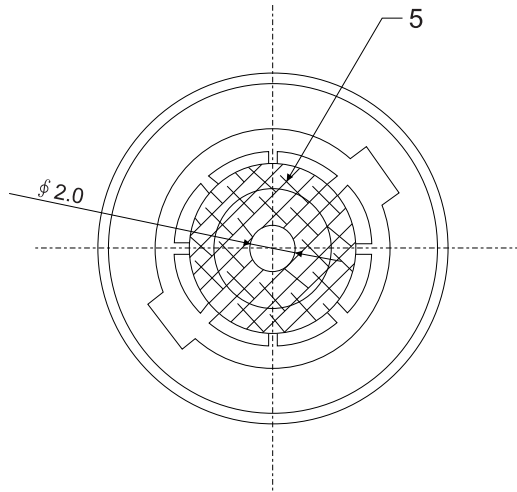


REV	DESCRIPTION	APPROVAL	DATE
§	新制定		07.01.09



5	INSULATOR	POM
4	COPPER TUBE	Cu
3	PIN	Cu
2	BODY	Zn
1	SHELL	Zn
ITEM	DESIGNATION	MATERIAL

TOLERANCE	
0-10	±0.05
10-100	±0.5
100-1000	±10.0
1000-10000	±100.00
10000-100000	±1000.00

ROHS COMPLIANT

貝強實業有限公司 PANSTRONG COMPANY LTD.	DRAWN BY	TOMMY
	CHECKED	
TITLE:	BNC MALE CRIMP TYPE	
PART NO:	BM02N0411E-58	
File Number:		
SCALE	/	REV
UNIT	mm	