

R3G190-RC05-03

# EC centrifugal fan - RadiCal®

backward curved, single inlet



## ebm-papst Mulfingen GmbH & Co. KG

Bachmühle 2 · D-74673 Mulfingen

Phone +49 7938 81-0

Fax +49 7938 81-110

info1@de.ebmpapst.com

www.ebmpapst.com

Limited partnership · Headquarters Mulfingen  
County court Stuttgart · HRA 590344

General partner Elektrobau Mulfingen GmbH · Headquarters Mulfingen  
County court Stuttgart · HRB 590142

## Nominal data

Type	R3G190-RC05-03	
Motor	M3G055-BI	
Phase		1~
Nominal voltage	VAC	230
Nominal voltage range	VAC	200 .. 240
Frequency	Hz	50/60
Type of data definition		ml
Speed	min <sup>-1</sup>	3200
Power input	W	83
Current draw	A	0.75
Min. ambient temperature	°C	-25
Max. ambient temperature	°C	60

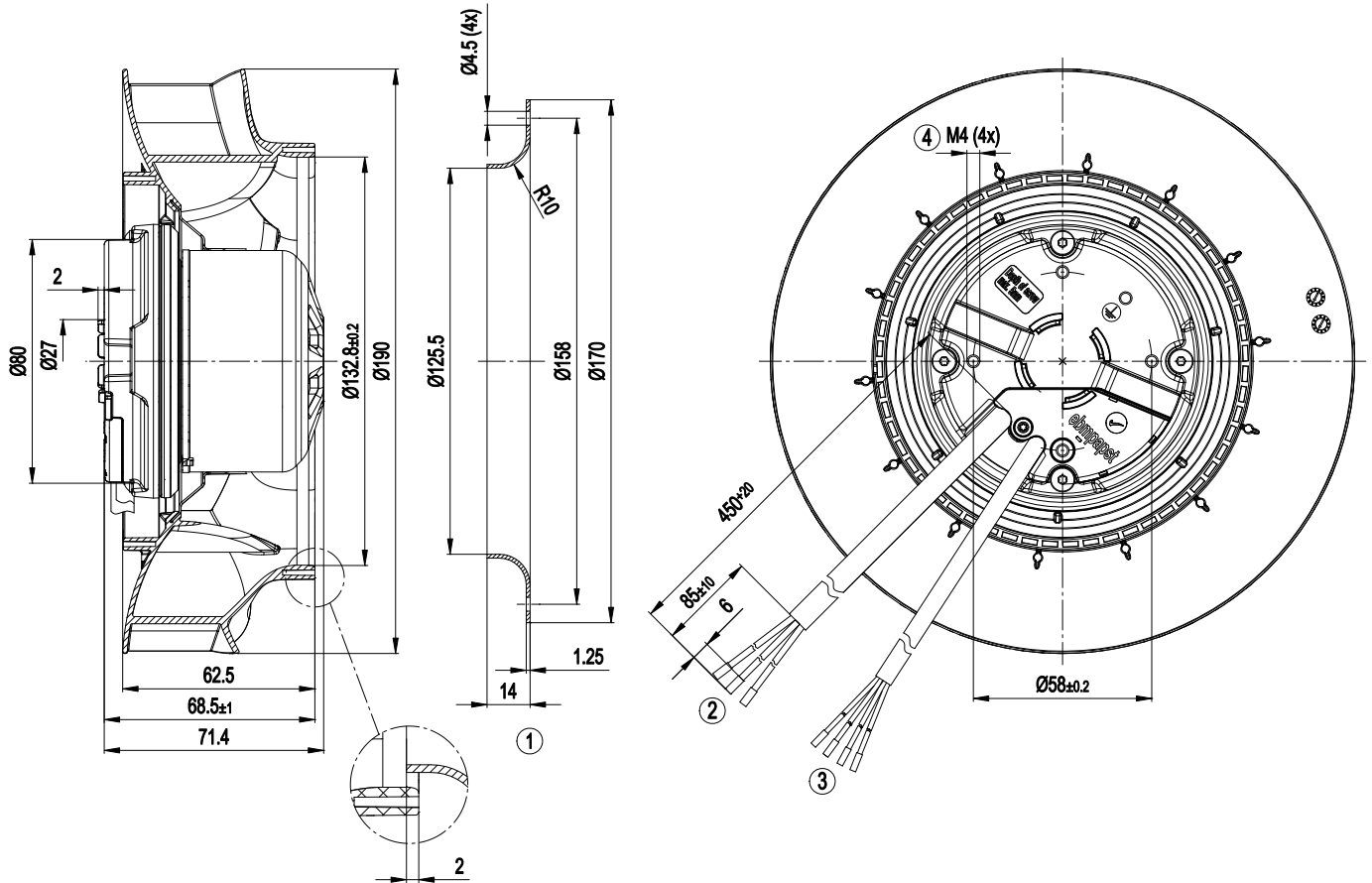
ml = Max. load · me = Max. efficiency · fa = Running at free air · cs = Customer specs · cu = Customer unit  
Subject to alterations



## Technical features

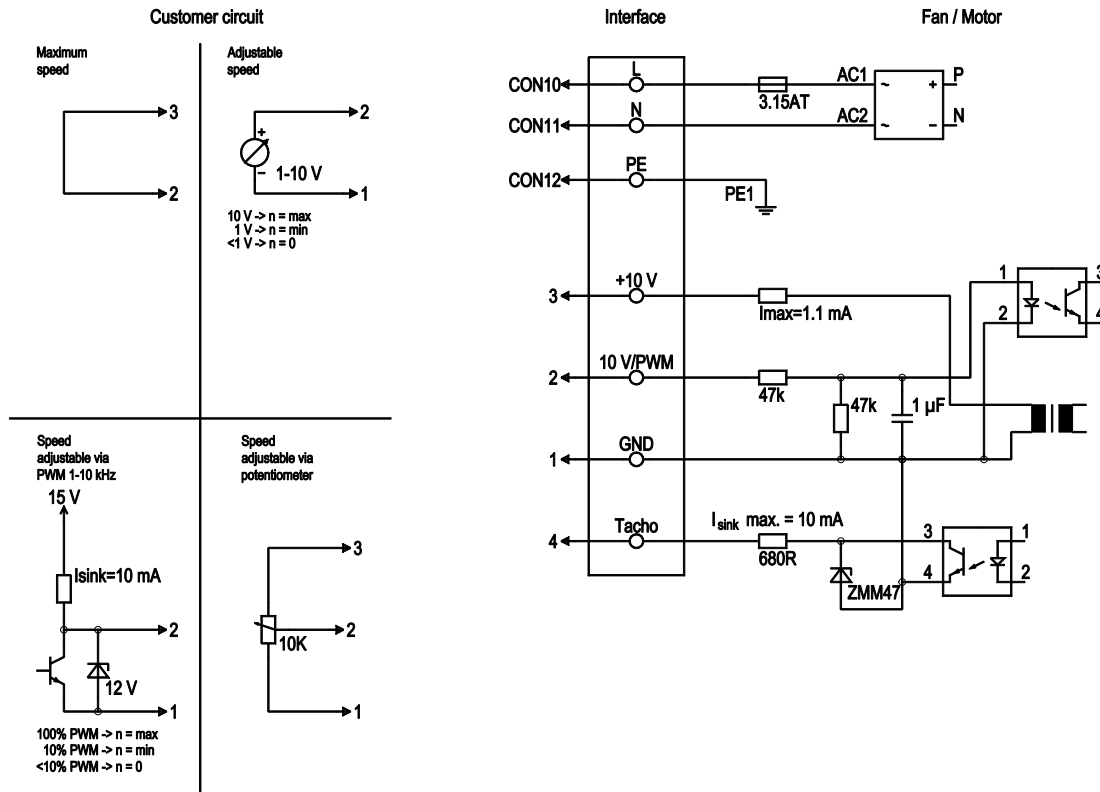
<b>Mass</b>	1.1 kg
<b>Size</b>	190 mm
<b>Surface of rotor</b>	Thick layer passivated
<b>Material of electronics housing</b>	Die-cast aluminium
<b>Material of impeller</b>	PA plastic
<b>Number of blades</b>	7
<b>Direction of rotation</b>	Clockwise, seen on rotor
<b>Type of protection</b>	IP 54
<b>Insulation class</b>	"B"
<b>Max. permissible ambient motor temp. (transp./ storage)</b>	+ 80 °C
<b>Min. permissible ambient motor temp. (transp./storage)</b>	- 40 °C
<b>Mounting position</b>	Any
<b>Condensate discharge holes</b>	None, open rotor
<b>Operation mode</b>	S1
<b>Motor bearing</b>	Ball bearing
<b>Technical features</b>	<ul style="list-style-type: none"> <li>- Output 10 VDC, max. 1.1 mA</li> <li>- Tach output</li> <li>- Motor current limit</li> <li>- Soft start</li> <li>- Control input 0-10 VDC / PWM</li> <li>- Control interface with SELV potential safely disconnected from the mains</li> <li>- Over-temperature protected electronics / motor</li> </ul>
<b>EMC interference immunity</b>	Acc. to EN 61000-6-2 (industrial environment)
<b>EMC harmonics</b>	Acc. to EN 61000-3-2/3
<b>EMC interference emission</b>	Acc. to EN 55022 (Class B, household environment), on account of the installation conditions, ferritic damping in the connection line may be required for the application.
<b>Touch current acc. IEC 60990 (measuring network Fig. 4, TN system)</b>	<= 3.5 mA
<b>Motor protection</b>	Locked-rotor protection
<b>Cable exit</b>	Variable
<b>Protection class</b>	I (if protective earth is connected by customer)
<b>Product conforming to standard</b>	EN 60335-1; CE
<b>Approval</b>	CCC; EAC

Product drawing



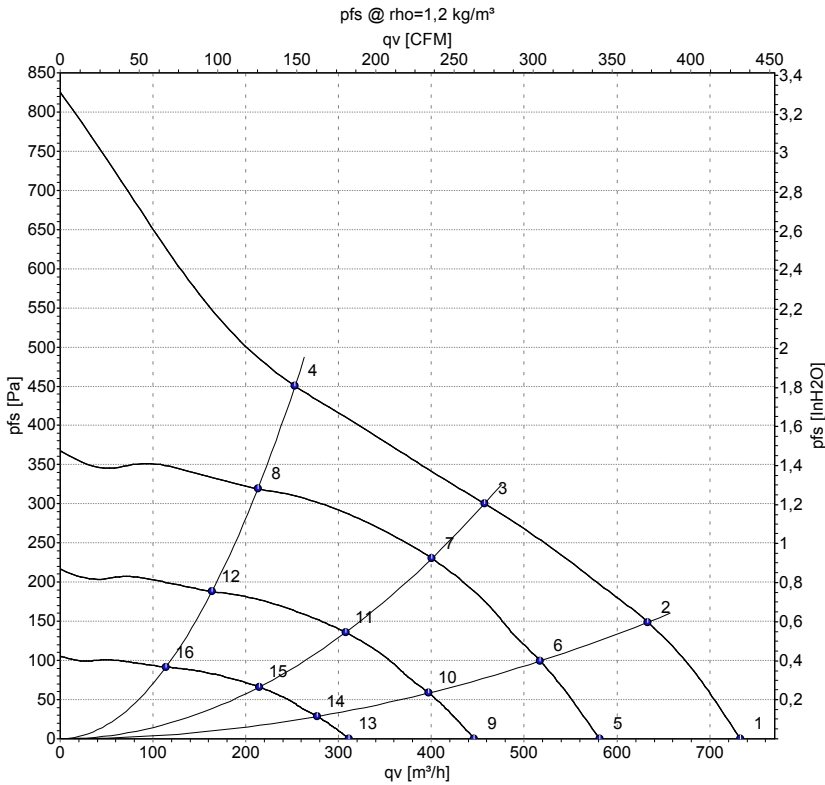
1	Accessory part: Inlet nozzle 09576-2-4013, not included in the standard scope of delivery
2	Connection line PVC AWG20, 3x brass lead tips crimped
3	Connection line PVC AWG22, 4 x brass lead tips crimped
4	Depth of screw max. 5 mm

## Connection screen



No.	Conn.	Designation	Colour	Function / assignment
	CON10	L	black	Power supply 230 VAC, 50-60 Hz, for voltage range refer to rating plate
	CON11	N	blue	Neutral conductor
	CON12	PE	green/yellow	Protective earth
	1	GND	blue	GND - Connection for control interface
	2	0- 10V PWM	yellow	Control input 0 - 10 V or PWM, electrically isolated
	3	10V/ max 1.1mA	red	Voltage output 10 V / 1.1 mA, electrically isolated, not short-circuit-proof
	4	Tach	white	Tach output: open collector, 1 pulse per revolution, electrically isolated, Isink max = 10 mA

## Charts: Air flow 50 Hz



Measurement: LU-152954

Air performance measured as per ISO 5801 Installation category A. For detailed information on the measuring set-up, please contact ebm-papst. Suction-side noise levels: LwA measured as per ISO 13347 / LpA measured with 1m distance to fan axis. The values given are valid under the measuring conditions mentioned above and may vary according to the actual installation situation. With any deviation from the standard set-up, the specific values have to be checked and reviewed with the unit installed.

## Measured values

	U	f	n	P <sub>ed</sub>	I	qv	P <sub>fs</sub>
	V	Hz	min <sup>-1</sup>	W	A	m <sup>3</sup> /h	Pa
1	230	50	3530	83	0.75	735	0
2	230	50	3430	83	0.75	635	150
3	230	50	3200	83	0.75	455	300
4	230	50	3325	83	0.75	255	450
5	230	50	2800	49	0.45	580	0
6	230	50	2800	52	0.47	515	100
7	230	50	2800	57	0.52	400	230
8	230	50	2800	53	0.49	215	319
9	230	50	2150	24	0.25	445	0
10	230	50	2150	26	0.25	395	59
11	230	50	2150	28	0.28	310	136
12	230	50	2150	26	0.27	165	188
13	230	50	1500	10.0	0.10	310	0
14	230	50	1500	11	0.11	275	29
15	230	50	1500	12	0.12	215	66
16	230	50	1500	11	0.12	115	91

U = Supply voltage · f = Frequency · n = Speed · P<sub>ed</sub> = Power input · I = Current draw · qv = Air flow · P<sub>fs</sub> = Pressure increase

