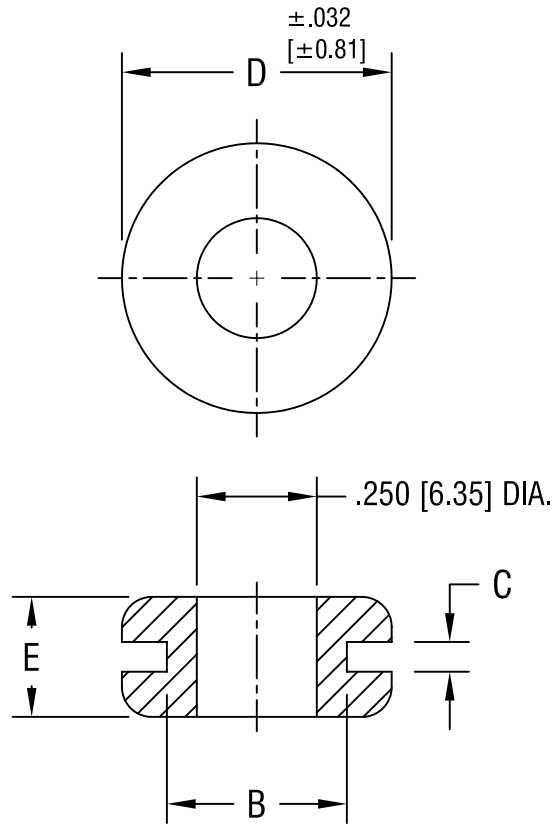


THIS DOCUMENT IS THE PROPERTY OF  
KEYSTONE ELECTRONICS CORP. AND  
SHALL NOT BE REPRODUCED, DISTRIBUTED  
OR USED AS A BASIS FOR MANUFACTURE  
WITHOUT PRIOR WRITTEN PERMISSION  
FROM KEYSTONE ELECTRONICS CORP.



| PART NO. | 'B' DIA.     | 'C' DIM.    | 'D' DIA.     | 'E' DIM.    |
|----------|--------------|-------------|--------------|-------------|
| 738      | .437 [11.10] | .062 [1.57] | .625 [15.88] | .187 [4.75] |
| 739      | .375 [9.53]  | .062 [1.57] | .562 [14.27] | .250 [6.35] |
| 740      | .375 [9.53]  | .093 [2.36] | .500 [12.70] | .250 [6.35] |

**KEYSTONE ELECTRONICS CORP.**

ASTORIA, N.Y. 11105-2017

PART NAME

RUBBER GROMMET

MATERIAL

BUNA S

FINISH

-

DRN BY

BOONE

DATE

9.16.96

APPD

SCALE

2.5X

TOLERANCES

INCH [MM]

DECIMAL ±.020 [±0.50]

ANGULAR ± 1°

UNLESS OTHERWISE SPECIFIED

CODE

C/M

DWG NO.

738-740

DATE

DESCRIPTION

REV.