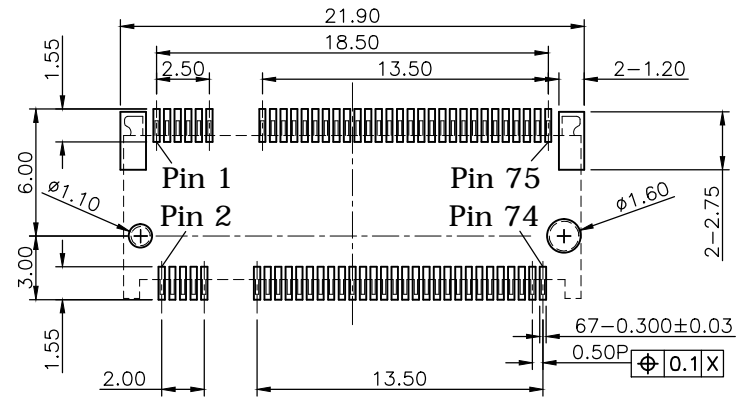
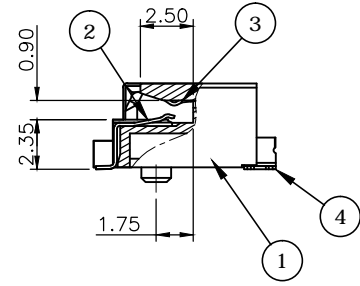
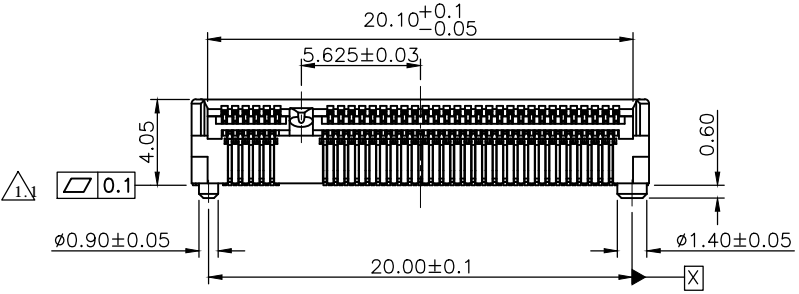
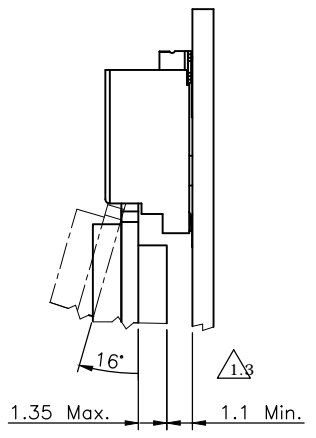


Date code: YWWD
 Y=Year, 0~9
 WW=Week, 1~52
 D=Day, 1~7



Recommended Layout (Top View)
 General Tolerance: ±0.05mm



REV.	DESCRIPTION	DRAWN	DATE
1.1	Add flatness tolerance	FROS	2019/08/07
1.2	Corrected temperature to 85°C	FROS	2019/08/15
1.3	Added M.2 module thickness & related space height	FROS	2019/08/29

SPECIFICATION:

- ELECTRICAL**
 - Current Rating: 0.5A per pin
 - Voltage Rating: 50VAC
 - Contact Resistance: 50mΩ
 - Insulation Resistance: 500MΩ
 - Dielectric Withstanding Voltage: 300VAC

- MECHANICAL**
 - Durability: 60 Cycle
 - Mating Force: 20N max.
 - Un-mating Force: 25N max.

- ENVIRONMENTAL**
 - Operating temperature range: -40°C~+85°C
 - Storage temperature range: -40°C~+85°C

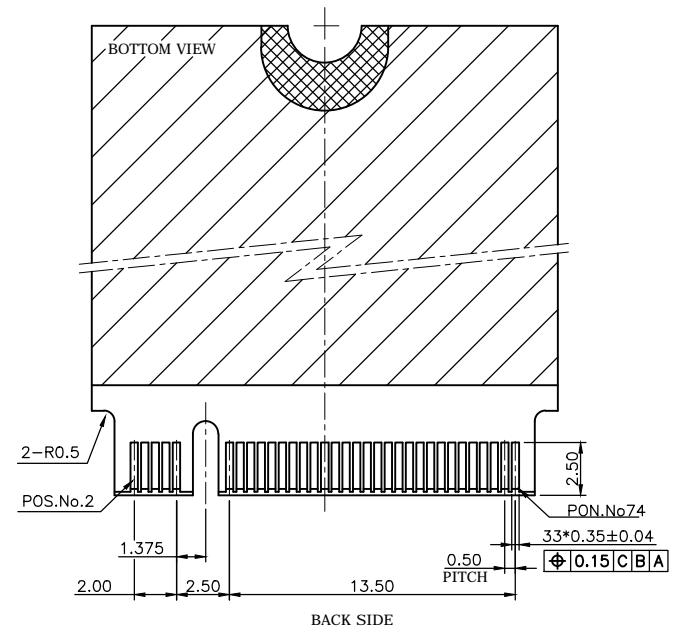
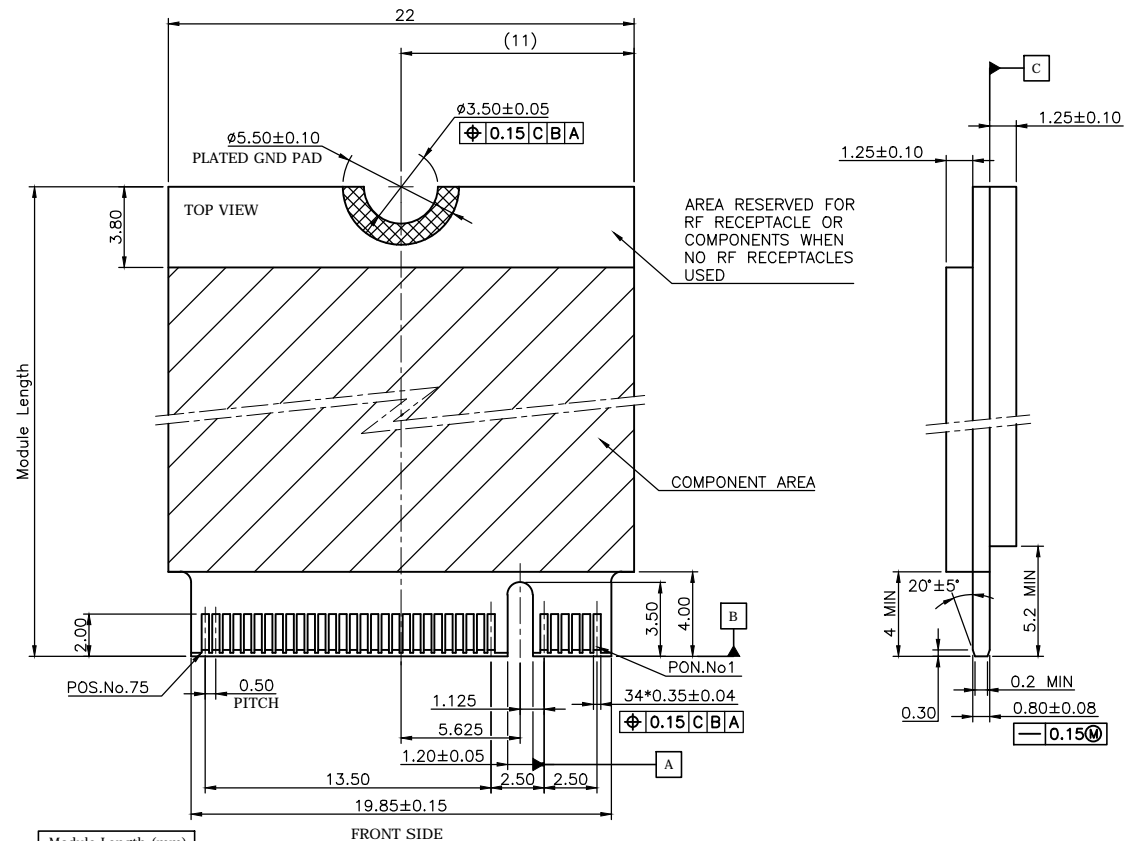
- SOLDER ABILITY**
 - Recommended IR Reflow (Wave Soldering) Temperature: 260°C

4	HOLD DOWN	BRASS, C2680R-H, 100u" Matte Tin plated, under-plated Nickel 50u"
3	LOWER CONTACT	PHOSPHOR BRONZE, C5210R-EH
2	UPPER CONTACT	Contact area: Gold flash, Solder area: Gold flash, all under-plated Nickel 50u"
1	INSULATOR	LCP, UL94V-0, BLACK
NO.	PART NAME	DESCRIPTION

UNLESS OTHERWISE SPECIFIED TOLERANCE			
UNIT:	DECIMAL	LINEAR	ANGLES
mm	X.	±0.50	±5°
	X.X	±0.25	±3°
	X.XX	±0.12	±1°

DRAWN	Fros	2018/12/06	DRAWN NAME:	M.2 Socket, H4.0 B Key	
CHECKED	Tim	2018/12/06		0.5 Pitch G/F, Black, Reel	
APPROVED	Ken	2018/12/06	PRODUCT NO.	123A-40B00	
SCALE	2.8	SHEET	1/1	SIZE	A4
FILE NAME	123A-40B00_B_1.3				


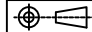
REV.	DESCRIPTION	DRAWN	DATE
1	INITIAL RELEASE	FROS	2019/01/09
1.1	Corrected	FROS	2019/09/11



Module Length (mm)
42
60
80
110

KEY ID "B"

RECOMMENDED MODULE LAYOUT

UNLESS OTHERWISE SPECIFIED TOLERANCE					
UNIT:	DECIMAL	LINEAR	ANGLES		
mm	X.	±0.50	±5°	www.attend.com.tw	
	X.X	±0.25	±3°		
	X.XX	±0.12	±1°		
DRAWN	Fros	2019/01/09	DRAWN NAME:		
CHECKED	Tim	2019/01/09	PCI Express M.2 Specification Module Dimensions		
APPROVED	Ken	2019/01/09	PRODUCT NO.	N/A	
	SCALE	SHEET	SIZE	FILE NAME	
	2.8	2/4	A4	123A-CARD_B_1.1	

REV.	DESCRIPTION	DRAWN	DATE
1	INITIAL RELEASE	TIM	2018/01/19

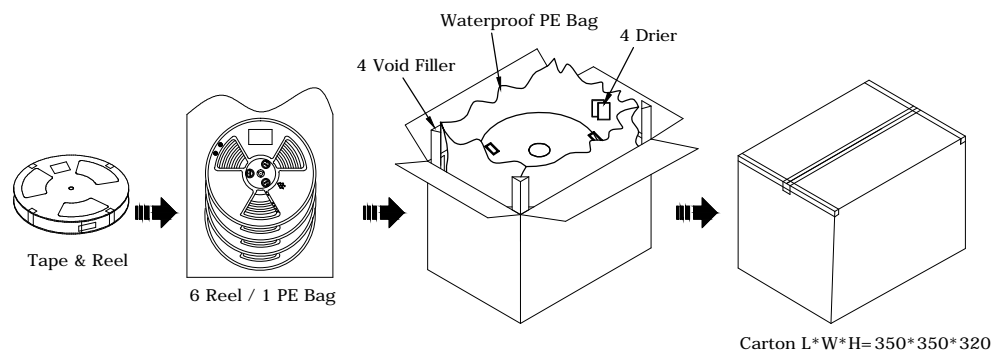
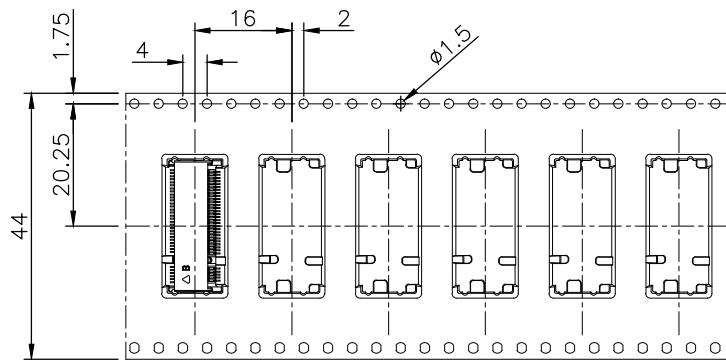
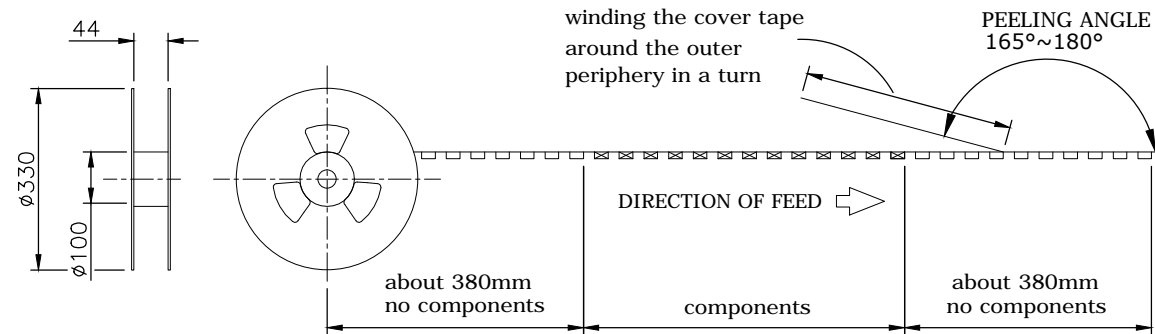
PACKAGING SPECIFICATION:


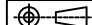
1. MATERIAL

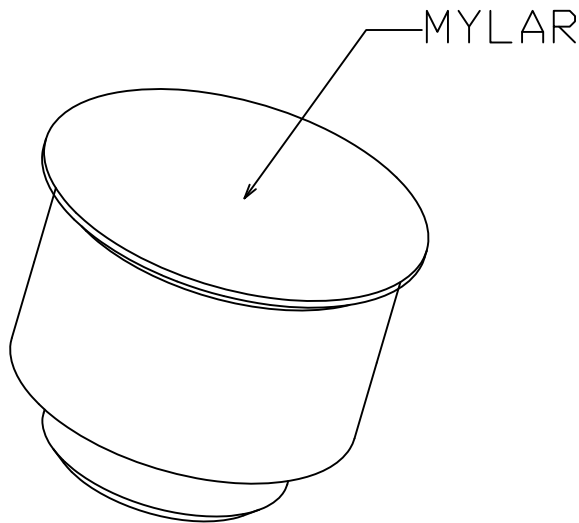
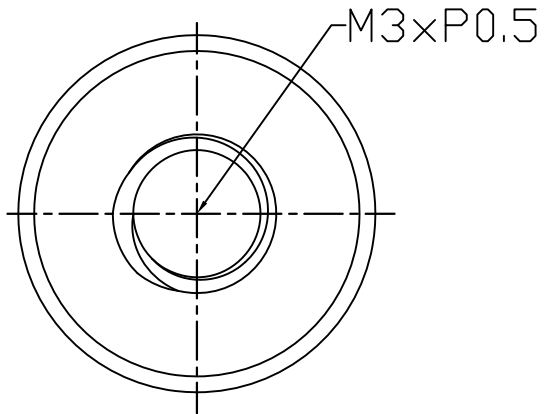
- 1.1 Embossed Carrier Tape: PS Black
- 1.2 Top Cover Tape: PET
20-80g(Peel Speed 300mm/Minute)
- 1.3 Taping Reel: Plastic

2. Packaging:

P/N	Height	Reel	Carton
123A-21X00	2.15	1200	7200
123A-30X00	3.05	900	5400
123A-40X00	4.05	700	4200
123A-58X00	5.80	600	3600

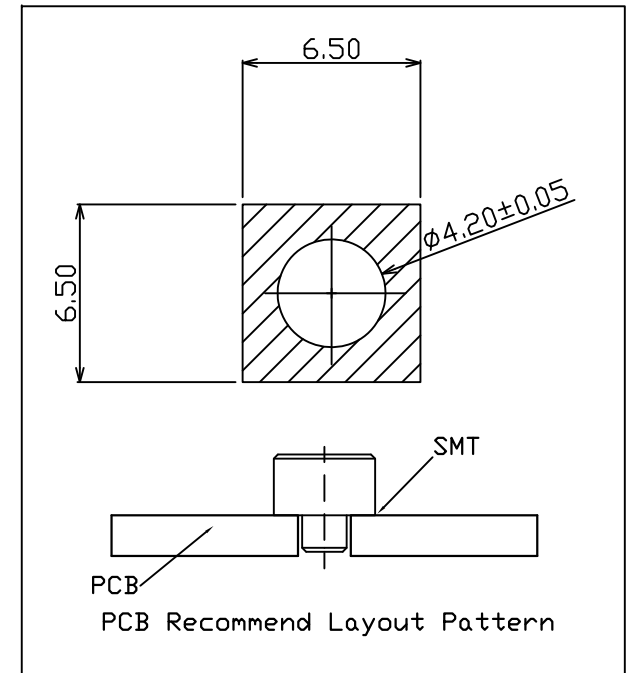
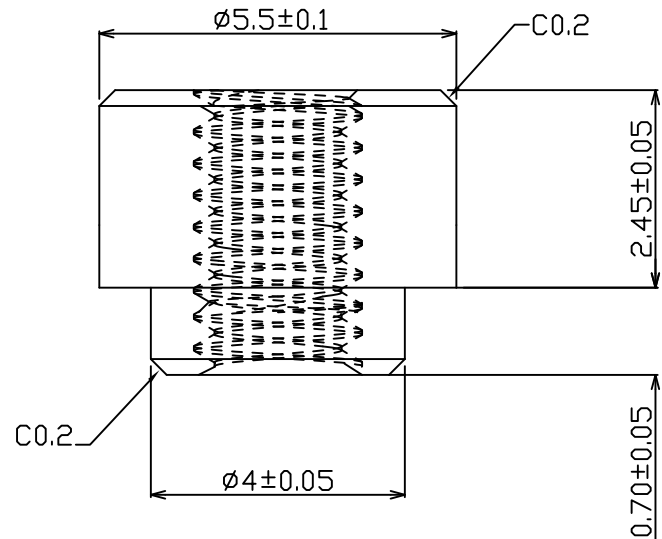


UNLESS OTHERWISE SPECIFIED TOLERANCE					
UNIT:	DECIMAL	LINEAR	ANGLES		
mm	X.	±0.50	±5°	WWW.ATTEND.COM.TW	
	X.X	±0.25	±3°		
	X.XX	±0.12	±1°		
DRAWN	Tim	2018/01/19	DRAWN NAME: M.2 CONNECTOR PACKAGING		
CHECKED	Fros	2018/01/19			
APPROVED	Ken	2018/01/19	PRODUCT NO.	123A-XXX00	
		SCALE 0.8	SHEET 1/1	SIZE A4	FILE NAME 123A-XXX00_D_1



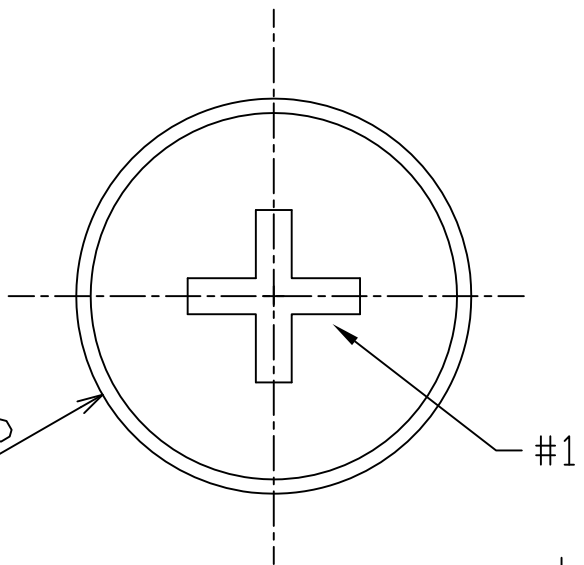
NOTE:

- 1.MATERIAL: Copper Alloy
- 2.Plating: Sn.



REV.	DESCRIPTION	DATE	REV.	DESCRIPTION	DATE	UNLESS OTHERWISE SPECIFIED TOLERANCE		ATTEND	
						ANGLES	ANG.	$\pm 5^\circ$	www.attend.com.tw
							0.	± 0.3	
						LINEAR	0.0	± 0.25	
							0.00	± 0.20	
						SCALE	AS SHOWN	UNIT: mm	
A	Revise:					DRAWN	Willis	2013/11/13	DRAWN NAME:
	Revise:					CHECKED	Angel	2013/11/13	M.2 Connector Stand Off
	Revise:					APPROVED	Ken	2013/11/13	PRODUCT NO. 123A-NUT-42
						SIZE	A4	REV. 1.0	FILE NAME 123A-NUT-42_B_1

$\phi 5.5^{+0}_{-0.5}$



#1

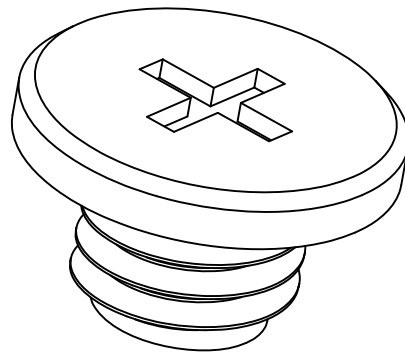
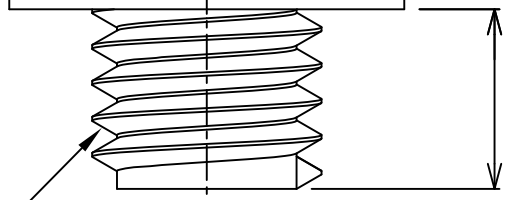
$\phi 5.5^{+0}_{-0.5}$

0.8 ± 0.1



$2.5^{+0}_{-0.3}$

M3.0*P0.50



Note:
 1. Material: Low-carbon steel
 2. Plating: Nickel

UNLESS OTHERWISE SPECIFIED TOLERANCE		
ANGLES	ANG.	±5°
LINEAR		±0.3
		±0.25
		±0.20
SCALE	AS SHOWN	UNIT: mm
DRAWN	Willis	2013/08/06
CHECKED	Angel	2013/08/06
APPROVED	Ken	2013/08/06



www.attend.com.tw

DRAWN NAME:
M.2 Series Screw

PRODUCT NO. 123A-SCREW

FILE NAME 123A-SCREW_B_1

REV.	DESCRIPTION	DATE	REV.	DESCRIPTION	DATE
1					
2					
3					
4					
5					
6					
7					



SIZE A4

REV. 1.0